

Fixture Type: _____
 Catalog Number: _____
 Project: _____
 Location: _____

Slice

Ceiling Mount

Model & Size	Color Temp	Finish	LED Watts	LED Lumens	Delivered Lumens
FM-4109 9"	2700K	BN Brushed Nickel	17W	1794	720
	3000K				
	3500K				

Example: **FM-4109F-30-BN**

•For 277V special order, add an "F" before the finish: FM-4109F-35-BN

For custom requests please contact customs@wacighting.com

DESCRIPTION

Clean design of simple shapes with etched water-clear solid glass.

FEATURES

- Etched 3/4" thick pressed glass diffuser with interior ceramic glaze
- Built in color temperature adjustability. Switch from 2700K/3000K/3500K
- Option to pre-select color temperature or adjust in the field
- 0-10V dimming option (LDS065M010AFE-LO1) available (special order), unit dimensions: 3.4" x 1.2" x 0.5"
- ACLED driverless technology
- 5 year warranty

SPECIFICATIONS

Color Temp:	2700K,3000K,3500K
Input:	120 VAC,50/60Hz
CRI	90
Dimming:	ELV: 100-10%
Rated Life:	50,000 Hours
Mounting:	Can be mounted on ceiling or wall in all orientations
Standards:	ETL, cETL, Title 24 JA8 Compliant, ADA, Damp Location Listed
Construction	Durable steel body with thick opal glass

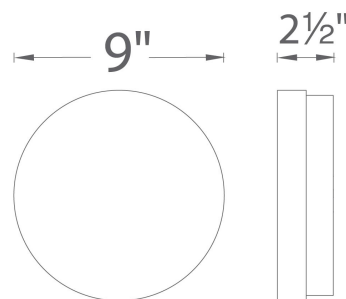


FINISHES:



Brushed Nickel

LINE DRAWING:



FM-4109

Fixture Type: _____
 Catalog Number: _____
 Project: _____
 Location: _____

Slice

Ceiling Mount

Model & Size	Color Temp	Finish	LED Watts	LED Lumens	Delivered Lumens
FM-4111 11"	2700K	BN Brushed Nickel	26W	2759	1080
	3000K				
	3500K				

Example: **FM-4111F-30-BN**

•For 277V special order, add an "F" before the finish: FM-4111F-35-BN

For custom requests please contact customs@wacighting.com

DESCRIPTION

Clean design of simple shapes with etched water-clear solid glass.

FEATURES

- Etched 3/4" thick pressed glass diffuser with interior ceramic glaze
- Built in color temperature adjustability. Switch from 2700K/3000K/3500K
- Option to pre-select color temperature or adjust in the field
- 0-10V dimming option (LDS065M010AFE-LO1) available (special order), unit dimensions: 3.4" x 1.2" x 0.5"
- ACLED driverless technology
- 5 year warranty

SPECIFICATIONS

Color Temp:	2700K,3000K,3500K
Input:	120 VAC,50/60Hz
CRI	90
Dimming:	ELV: 100-10%
Rated Life:	50,000 Hours
Mounting:	Can be mounted on ceiling or wall in all orientations
Standards:	ETL, cETL, Title 24 JA8 Compliant, ADA, Damp Location Listed
Construction	Durable steel body with thick opal glass

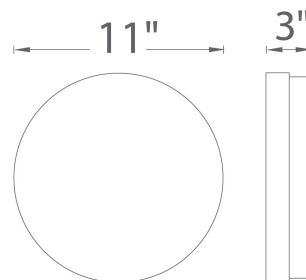


FINISHES:



Brushed Nickel

LINE DRAWING:



FM-4111

Fixture Type: _____
 Catalog Number: _____
 Project: _____
 Location: _____

Slice

Ceiling Mount

Model & Size	Color Temp	Finish	LED Watts	LED Lumens	Delivered Lumens
FM-4115 14"	2700K	BN Brushed Nickel	25W	2729	1463
	3000K				
	3500K				

Example: **FM-4115F-30-BN**

•For 277V special order, add an "F" before the finish: FM-4115F-35-BN

For custom requests please contact customs@wacighting.com

DESCRIPTION

Clean design of simple shapes with etched water-clear solid glass.

FEATURES

- Etched 3/4" thick pressed glass diffuser with interior ceramic glaze
- Built in color temperature adjustability. Switch from 2700K/3000K/3500K
- Option to pre-select color temperature or adjust in the field
- 0-10V dimming option (LDS065M010AFE-LO1) available (special order), unit dimensions: 3.4" x 1.2" x 0.5"
- ACLED driverless technology
- 5 year warranty

SPECIFICATIONS

Color Temp:	2700K,3000K,3500K
Input:	120 VAC,50/60Hz
CRI	90
Dimming:	ELV: 100-10%
Rated Life:	50,000 Hours
Mounting:	Can be mounted on ceiling or wall in all orientations
Standards:	ETL, cETL, Title 24 JA8 Compliant, ADA, Damp Location Listed
Construction	Durable steel body with thick opal glass

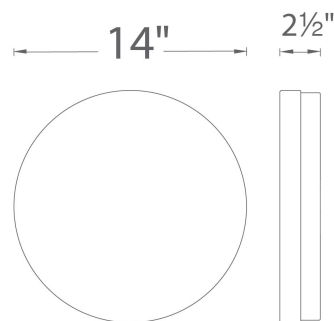


FINISHES:



Brushed Nickel

LINE DRAWING:



FM-4115