

Fixture Type: _____
 Catalog Number: _____
 Project: _____
 Location: _____

VENTRIX

Wall and Soffit Mount Bracket

Model	Finish
S2C-WB	BK Black WT White

Example: **S2C-WB-BK**

DESCRIPTION

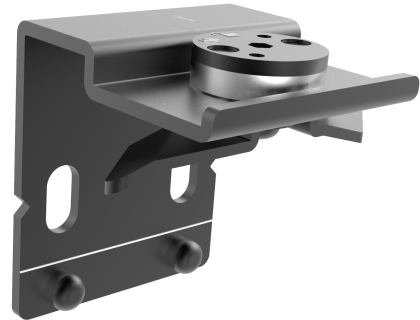
The only lighting, power, and control system complete with lighting elements designed for discriminating performance. Configure VENTRIX for your retail, restaurant, commercial office, or residential lighting plan.

FEATURES

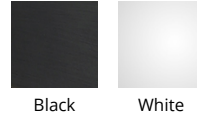
- Secures VENTRIX Surface channel to wall or soffits using secure locking tabs
- Mounts to gypsum or concrete walls and soffits
- 4 mounting clips per pack
- Mounting hardware by others
- 5 Year warranty

SPECIFICATIONS

Construction	Heavy duty steel construction
Mounting:	Wall or soffit mounted to drywall or concrete
Finish:	Electrostatically Powder Coated: Black, White
Standards:	UL, cUL, Damp Location Listed



FINISHES:



LINE DRAWING:

