

# INSTALLATION INSTRUCTION



H/L/J-5010-CS

## WARNING

IMPORTANT: NEVER attempt any work without shutting off the electricity.

- Read all instructions before installing.
- System is intended for installation by a qualified electrician in accordance with the National Electrical Code and local regulations.
- Go to the main fuse box, or circuit breaker. Place the main power switch in the "OFF" position and unscrew the fuse(s) or switch "OFF" the circuit breaker switch(es) that control the power to the fixture or room that you are working on.
- Place the wall switch in the "OFF" position.

## AVERTISSEMENT

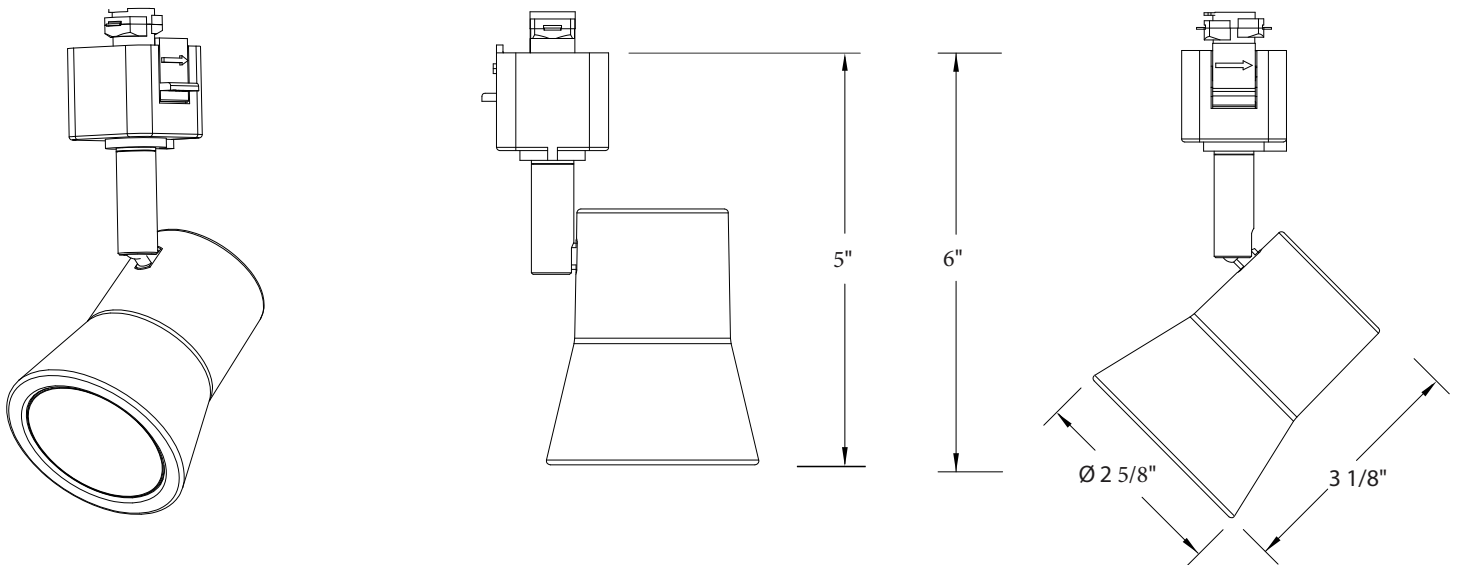
IMPORTANT : Coupez l'électricité avant TOUTE manipulation.

- Lisez toutes les instructions avant d'installer.
- Système est destiné à être installé par un électricien qualifié en conformité avec le code national de l'électricité et les règlements locaux.
- Accédez au panneau central de disjoncteurs ou de fusibles de votre demeure et placez l'interrupteur principal en position d'arrêt (« OFF »).
- Placez l'interrupteur mural en position d'arrêt (« OFF »).

## OVERVIEW:

Fixtures are designed for use on WAC Lighting's track systems.

| LED TRACK LUMINAIRE | TRACK SYSTEM       |
|---------------------|--------------------|
| H-5010 Series       | 120V H Track       |
| L-5010 Series       | 120V L Track       |
| J-5010 Series       | 120V J or J2 Track |

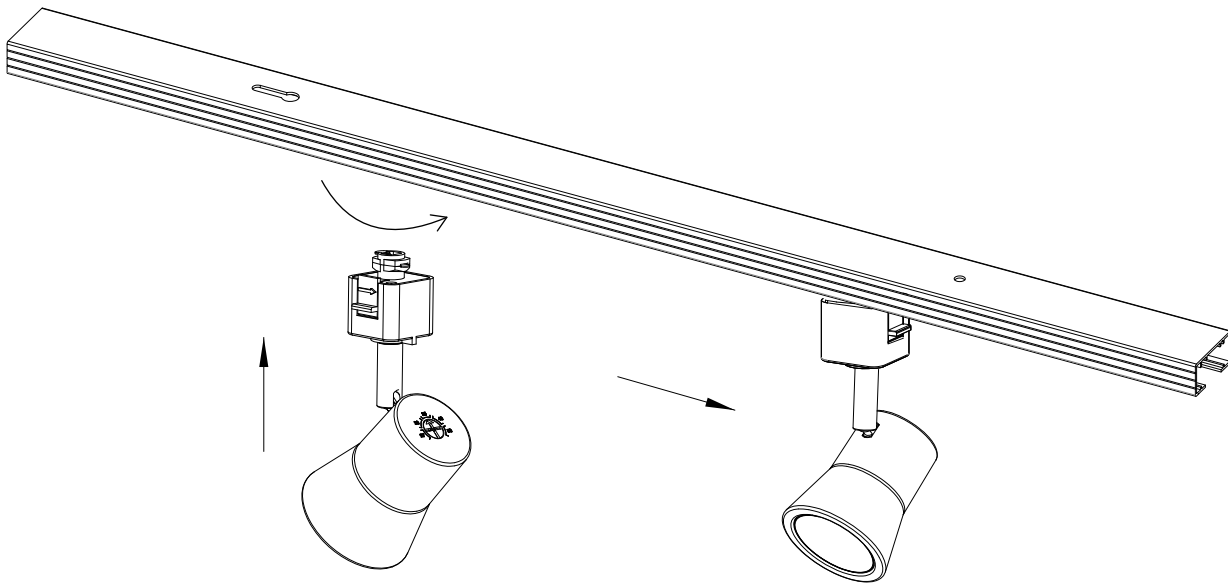


**Note:** All parts must be used as indicated in these instructions. Do not substitute any parts, leave parts out, or use any parts that are worn out or broken. Failure to follow this instruction could invalidate the ETL/cETL listing of this fixture.

### FIXTURE INSTALLATION FOR H/ L/ J TRACK: (Fig.1)

1. The track has a groove running its length to indicate polarity and the track adapter locking tab has an arrow indicating locking direction.
2. Insert adapter into track slot.  
**For H/J Track:** The arrow should be on the grooved side of the track.  
**For L Track:** The arrow should be on the side opposite the grooved side of the track.
3. Push up and rotate the adapter to the lock position.
4. Reverse procedure to remove. The fixture may be positioned anywhere along the track.
5. Adjust to the desired color temperature by rotating the dial on the back of the fixture using a screwdriver.

**Fig.1**



### FIXTURE POSITIONING: (Fig.2)

Power on fixture, rotate the luminaire's body horizontally or vertically to aim it properly.

The fixture can rotate  $\pm 90^\circ$  vertically and  $350^\circ$  horizontally.

**Fig.2**

