

INSTALLATION INSTRUCTIONS COLORSCAPING LINEAR PATH LIGHT

6401-CS



WARNING

IMPORTANT: NEVER attempt to do any work without shutting off the electricity.

1. Read all instructions before installing.
2. System is intended for installation by a qualified electrician in accordance with the National Electrical Code and local regulations.
3. Place the wall switch in the "OFF" position.
4. Go to the main fuse box, or circuit breaker. Unscrew the fuse(s) or switch "OFF" the circuit breaker switch(es) that control the power to the space that you are working on.
5. Risk of electric shock. Install all luminaires 10 feet (3.05m) or more from a pool, spa or fountain.

CAUTION

- All parts must be used as indicated in these instructions. Do not substitute any parts, leave parts out, or use any parts that are worn out or broken. Failure to follow this instruction may invalidate the UL listing of this fixture.

AVERTISSEMENT

IMPORTANT: Coupez l'électricité avant TOUTE manipulation.

- Lisez toutes les instructions avant d'installer.
- Système est destiné à être installé par un électricien qualifié en conformité avec le code national de l'électricité et les règlements locaux.
- Placez l'interrupteur mural en position d'arrêt (« OFF »).
- Toujours mettre le fusible ou le disjoncteur en position arrêt dans la pièce ou des travaux électriques sont prévus

MISE EN GARDE

- Toutes les pièces doivent être utilisées tel qu'il est indiqué dans ces instructions. Ne remplacez pas les pièces, n'en laissez pas de côté et ne les utilisez pas si elles sont usées ou brisées. Le non-respect de ces instructions peut annuler l'homologation UL du luminaire.

ADVERTENCIA

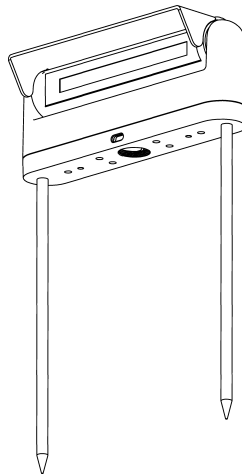
IMPORTANTE: NUNCA intente hacer trabajos sin desconectar el suministro eléctrico.

- Lea y comprenda todas las instrucciones e ilustraciones por completo antes de proceder con el ensamblaje e instalación de esta lámpara.
- Sistema está diseñado para ser instalado por un electricista calificado, de acuerdo con el código eléctrico nacional y las normas locales.
- Coloque el interruptor de la pared en la posición "OFF" (APAGADO).
- Diríjase a la caja de fusibles o a la caja del interruptor de circuito principal en su hogar. Coloque el interruptor de alimentación principal en la posición "OFF" (APAGADO).

PRECAUCIÓN

- Todas las piezas deben usarse como lo indican estas instrucciones. No reemplace las piezas, noomita piezas durante la instalación ni utilice piezas gastadas o rotas. El incumplimiento de esta indicación podría invalidar la calificación UL esta lámpara.

The instructions apply to the model(s) below:



6401-CS

waclighting.com
Phone (800) 526.2588
Fax (800) 526.2585

Headquarters/Eastern Distribution Center
44 Harbor Park Drive
Port Washington, NY 11050

Central Distribution Center
1600 Distribution Ct
Lithia Springs, GA 30122

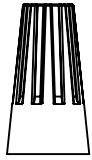
Western Distribution Center
1750 Archibald Avenue
Ontario, CA 91760

INSTALLATION INSTRUCTIONS COLORSCAPING LINEAR PATH LIGHT

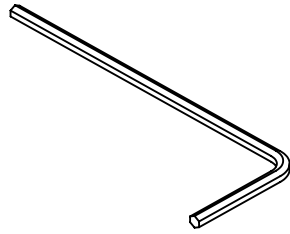
6401-CS



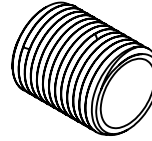
INSTALLATION ACCESSORIES



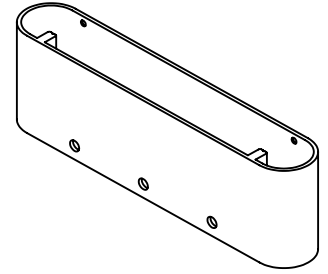
Wire Nut
Qty: 2 pcs
7EAC112201P3



Hex Key
Qty: 1 pcs
7MPE155003



1-Connector
Qty: 1 pcs
7MPE203501

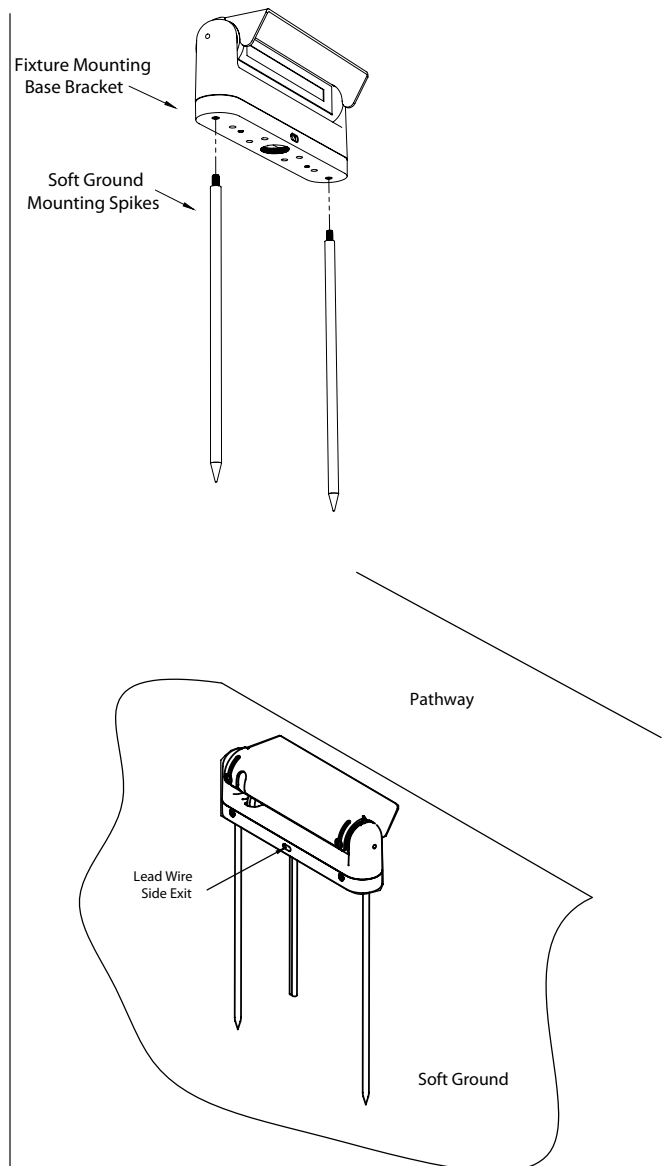


Riser Bracket
Qty: 1 pcs
4MZH110929DZ

SOFT GROUND INSTALLATION:

1. Make sure your main power is off.
2. At the point of installation, mount the spikes by threading them onto the fixture mount base bracket. Push the two ends of the fixture into the soil with appropriate force.
3. In the case of hard soil, dig holes and place the spikes in. Fill the rest of the hole with the removed soil and pack it tight to secure the stake.

NOTE: Do not put great force on fixture to push it into hard soil.



waclighting.com
Phone (800) 526.2588
Fax (800) 526.2585

Headquarters/Eastern Distribution Center
44 Harbor Park Drive
Port Washington, NY 11050

Central Distribution Center
1600 Distribution Ct
Lithia Springs, GA 30122

Western Distribution Center
1750 Archibald Avenue
Ontario, CA 91760

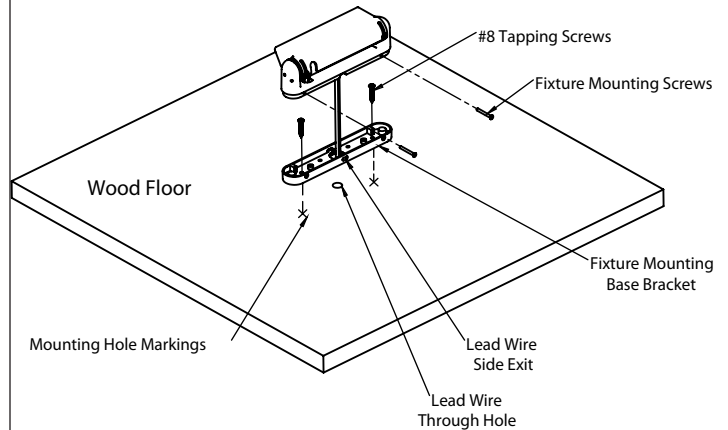
INSTALLATION INSTRUCTIONS COLORSCAPING LINEAR PATH LIGHT

6401-CS



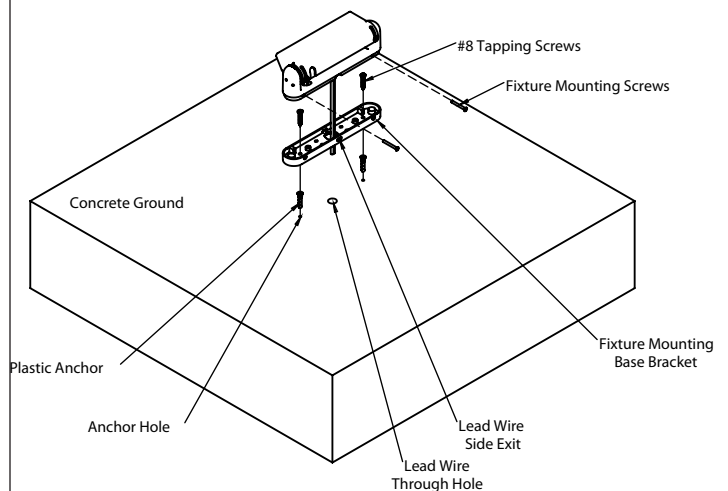
WOOD FLOOR INSTALLATION:

1. Disassemble the fixture mounting base bracket from the fixture assembly.
2. Mark the fixture mounting location on the wood floor using the base bracket.
3. Drill a through hole to allow fixture lead wire to exit the wood floor or use the lead wire side exit.
4. Use #8 tapping screws to mount the base bracket.
5. Mount the fixture housing back to the base bracket by using the fixture mounting screws.



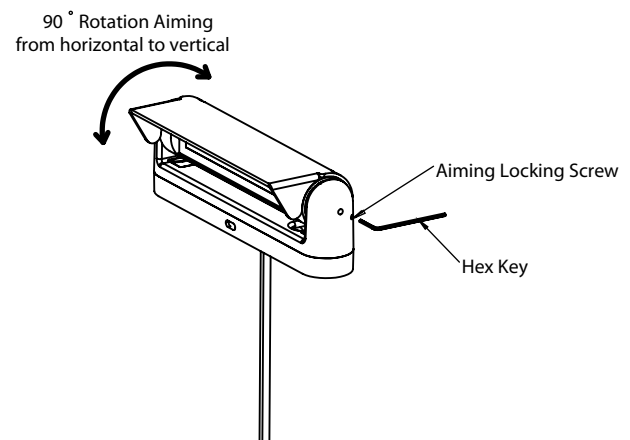
CONCRETE GROUND INSTALLATION:

1. Disassemble the fixture mounting base bracket from the fixture assembly.
2. Mark the fixture mounting location on the concrete floor using the base bracket.
3. Drill a through hole to allow fixture lead wire to exit the wood floor or use the lead wire side exit. Drill anchor holes for plastic anchors.
4. Use #8 tapping screws and plastic anchors to mount the base bracket.
5. Mount the fixture housing back to the base bracket by using the fixture mounting screws.



FIXTURE AIMING:

1. Fixture can be aimed at desired location by rotating the fixture head.
2. Use the hex key to tighten the aiming locking screw from the side to lock the aiming angle.



waclighting.com
Phone (800) 526.2588
Fax (800) 526.2585

Headquarters/Eastern Distribution Center
44 Harbor Park Drive
Port Washington, NY 11050

Central Distribution Center
1600 Distribution Ct
Lithia Springs, GA 30122

Western Distribution Center
1750 Archibald Avenue
Ontario, CA 91760

INSTALLATION INSTRUCTIONS

COLORSCAPING LINEAR PATH LIGHT

6401-CS



SHROUD ADJUSTMENT:

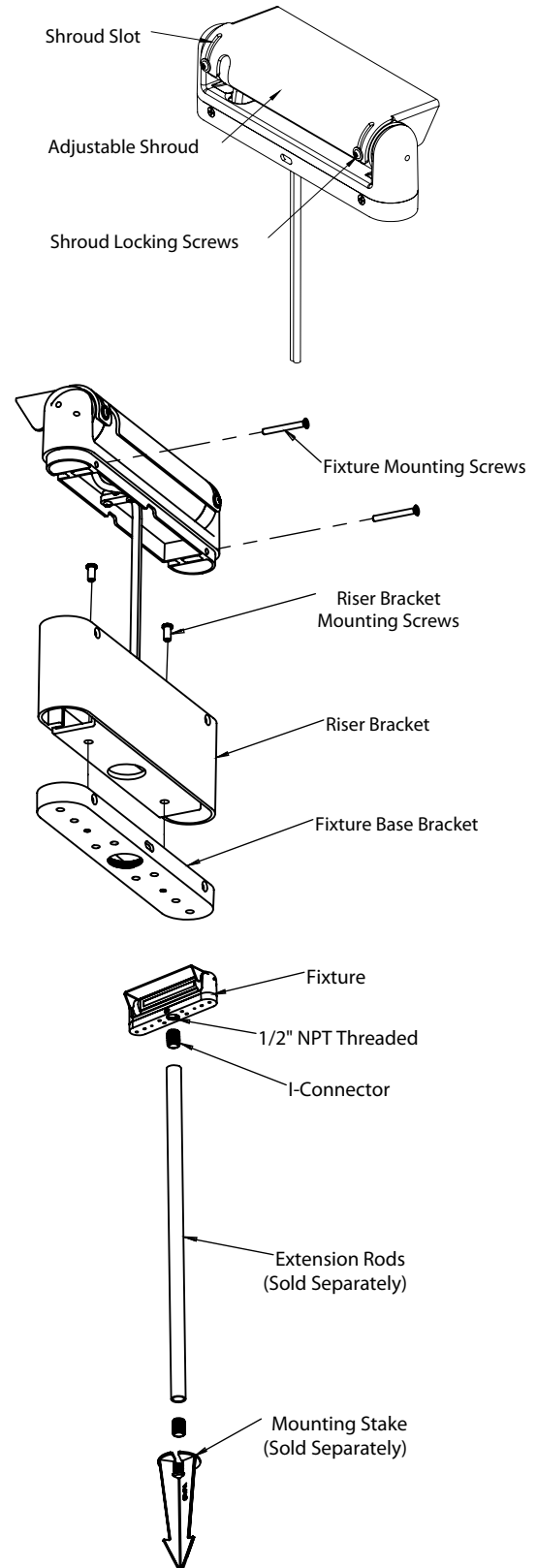
1. Loosen the locking screws on the shroud a little.
2. Rotate the shroud until it is in the desired position to properly cut off glare.
3. Retighten the locking screws to lock the shroud in place

RISER INSTALLATION (OPTIONAL):

1. Fixture can be mounted with a Riser Bracket (Provided) to allow users to aim it at different angles.
2. Disassemble the fixture base bracket from the fixture and Insert the riser bracket in between the fixture head and base.
3. Use the riser bracket mounting screws to mount the riser to the base.
4. Mount the fixture head assembly back to the riser/base assembly by using the fixture mounting screws.

EXTENSION ROD INSTALLATION (EXTENSION RODS SOLD SEPARATELY):

1. Fixture can be mounted with extension rods (sold separately to allow users to rise it at different heights for accent/wall wash applications.
2. Use the I-connector to connect the fixture with the extension Rods.
3. Use a mounting stake at the bottom to installation the fixture on soft grounds.



waclighting.com
Phone (800) 526.2588
Fax (800) 526.2585

Headquarters/Eastern Distribution Center
44 Harbor Park Drive
Port Washington, NY 11050

Central Distribution Center
1600 Distribution Ct
Lithia Springs, GA 30122

Western Distribution Center
1750 Archibald Avenue
Ontario, CA 91760