

INSTALLATION INSTRUCTION

299-LED Wall Sconce

BL-29903

dweLED

CAUTION: TO PREVENT ELECTRICAL SHOCK, ENSURE ELECTRICITY HAS BEEN TURNED OFF AT THE CIRCUIT BREAKER BEFORE BEGINNING.

- Read all instructions before installing.
- System is intended for installation by a licensed electrician in accordance with the National Electrical Code (NEC) and local regulations.
- When handling the fixture, do not apply pressure to the LEDs. Hold the fixture by the base only.
- Retain installation instructions for future maintenance reference.

WARNING: All parts must be used as indicated in these instructions. This product is designed for use only with the supplied parts and/or accessories designated for use by dweLED. Substitution of parts or accessories not designated for use with this product by dweLED could result in personal injury or property damage, and will void the warranty. Contact an authorized dealer or the manufacturer if any parts are damaged or missing.

MAINTENANCE NOTE: Coastal conditions may cause mineral and residue build-up on the fixture. We recommend that customers in coastal areas clean all external surfaces of the fixture once every two weeks with a wet cloth.

MISE EN GARDE: Pour éviter tout choc électrique, assurez-vous que le disjoncteur soit mis hors tension avant de commencer.

- Lisez toutes les instructions avant l'installation.
- Le système doit être installé par un électricien licencié conformément au code national de l'électricité (NEC), et également aux règlements locaux.
- Lors de la manipulation du luminaire, n'appuyez pas sur les LED. Tenez-le uniquement par la base.

ATTENTION: Toutes les pièces doivent être utilisées comme indiqué dans ces instructions. Ce produit est conçu pour être utilisé seulement avec les pièces et/ou accessoires fournis pour être utilisés avec les produits dweLED. Remplacer des pièces ou accessoires non conçus pour ce produit dweLED pourrait causer des dommages corporels ou matériels et pourrait également causer l'annulation de la garantie. Veuillez contacter un revendeur autorisé ou le fabricant si des pièces manquent ou sont endommagées.

NOTE D'ENTRETIEN: Les conditions côtières peut causer une accumulation de minéraux et de résidus sur le luminaire. Nous recommandons aux clients qui résident dans les zones côtières de nettoyer toutes les surfaces externes du luminaire une fois toutes les deux semaines avec un chiffon humide.

HARDWARE

A



Wood Screw
Qty:6PCS+1Extra

B



Cord Cover
Qty:2PCS

C



Plastic Anchor
Qty:6PCS+1 Extra

D



Cord Bracket
Qty:2PCS

E



Wire Connector
Qty: 3PCS+1Extra

F



Assembly Screw
Qty: 1 Extra

G



Mounting Screw
Qty:1Extra

H



Hole Plug
Qty:1PC

waclighting.com

Phone (800) 526.2588

Fax (800) 526.2585

Headquarters, East Manufacturing Facility

44 Harbor Park Drive

Port Washington, NY 11050

South East Manufacturing Facility

1600 Distribution Ct

Lithia Springs, GA 30122

Central Manufacturing Facility

1700 South J Elmer Freeway, Ste 100

Cedar Hill, TX 75104

West Manufacturing Facility

1750 S Archibald Ave

Ontario, CA 91761

FIG.1 PORTABLE INSTALLATION

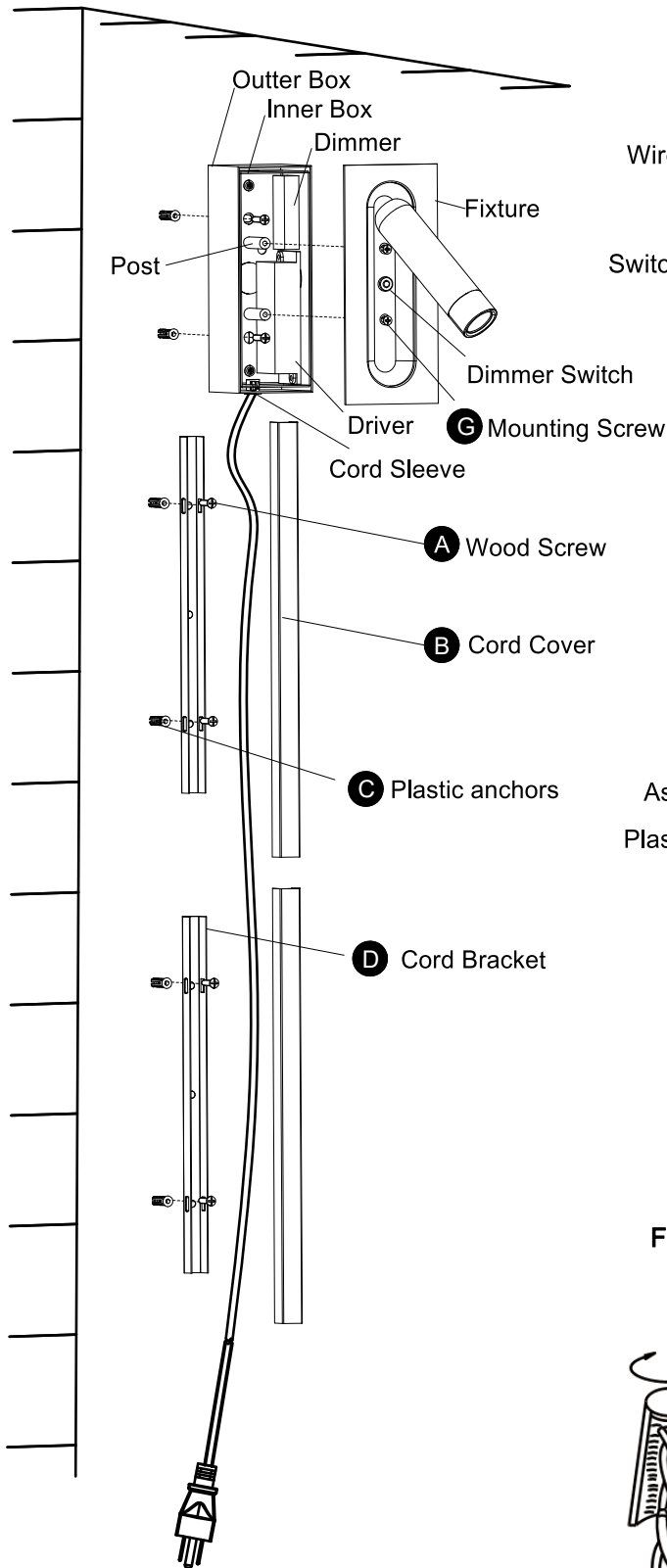


FIG.2 SURFACE MOUNT INSTALLATION

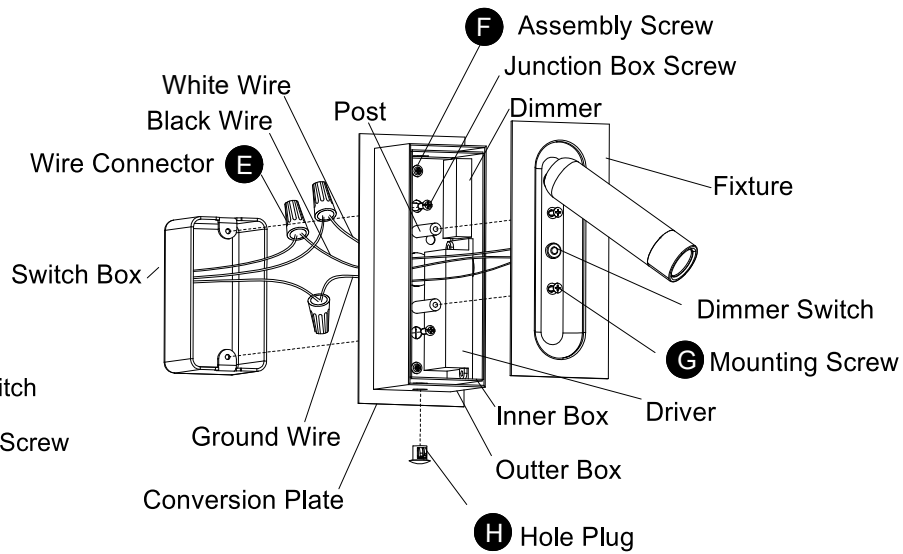


FIG.3 RECESSED NICHE INSTALLATION

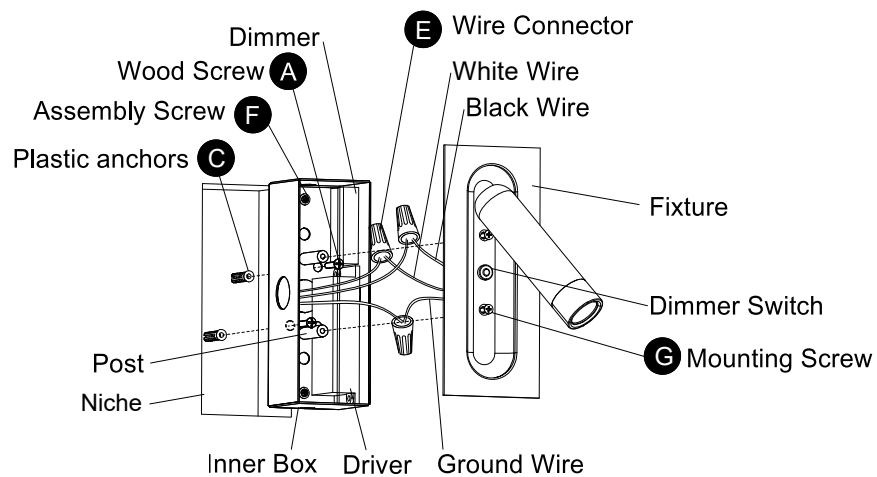
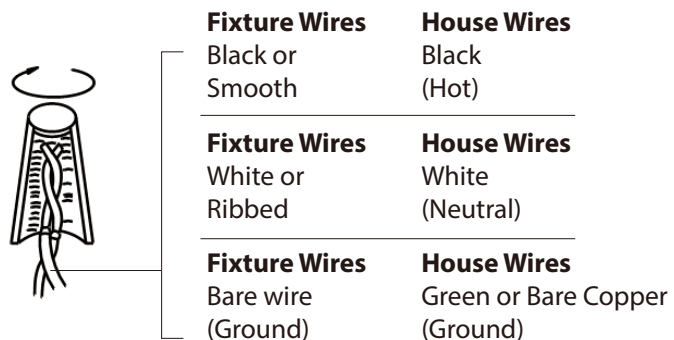


FIG.4 Wiring



INSTALLATION INSTRUCTION
299-LED Wall Sconce
BL-29903

dweLED

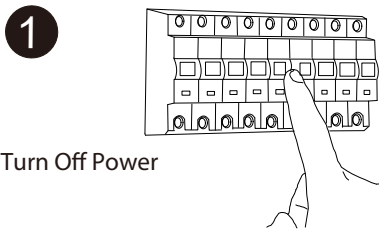
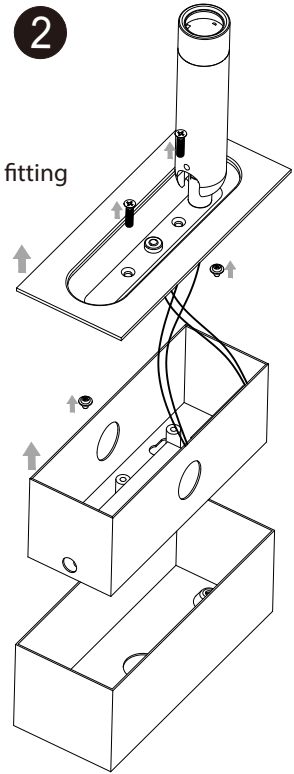
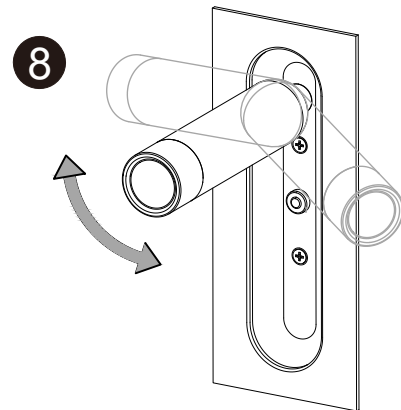
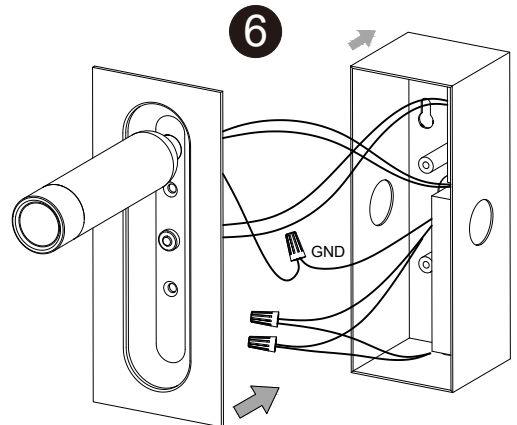
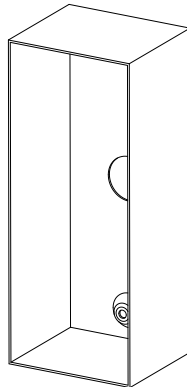
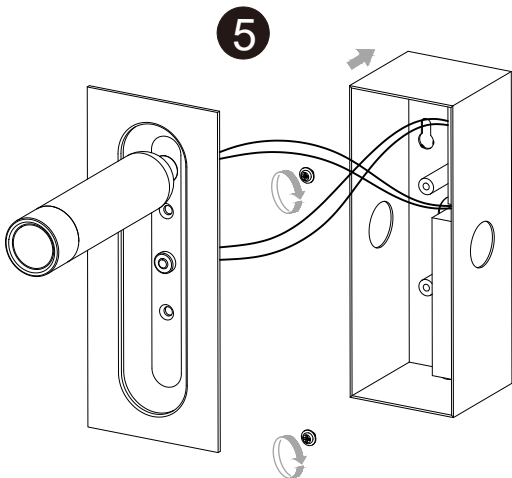
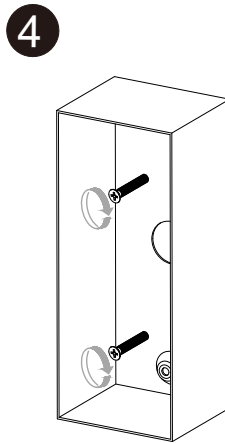
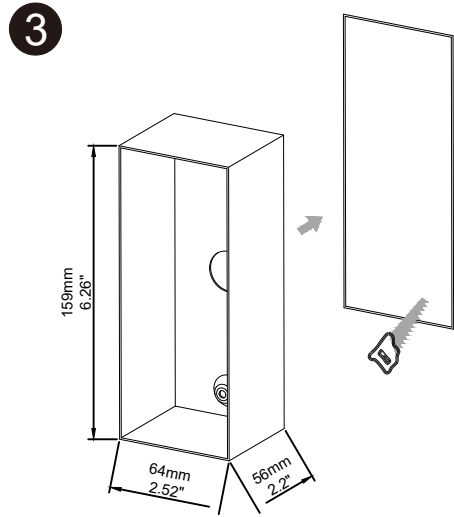


FIG.3 RECESSED NICHE INSTALLATION



Use the mounting holes at side or back of junction box for installation
 Connection to branch shall be made with suitable Listed conduit and conduit fitting



wacighting.com
 Phone (800) 526.2588
 Fax (800) 526.2585

Headquarters, East Manufacturing Facility
 44 Harbor Park Drive
 Port Washington, NY 11050

South East Manufacturing Facility
 1600 Distribution Ct
 Lithia Springs, GA 30122

Central Manufacturing Facility
 1700 South J Elmer Freeway, Ste 100
 Cedar Hill, TX 75104

West Manufacturing Facility
 1750 S Archibald Ave
 Ontario, CA 91761

INSTALLATION INSTRUCTION

299-LED Wall Sconce

BL-29903

dweLED

PREPARATION

1. Shut off the power at the circuit breaker and remove existing fixture, including the crossbar.
2. Carefully unpack your new fixture and lay out all the parts on a clear area. Be careful not to lose any small parts necessary for installation.

PORTABLE INSTALLATION (Fig. 1)

3. Remove the mounting screws(G) and take down the fixture.
4. Drill holes on the wall aligned with the slot locations on the outer box.
5. Insert plastic anchors(C) into the holes. Secure the cover plate and inner box together to the wall using the wood screw(A).
6. Secure the fixture to the inner box post using the mounting screws(G).
7. Install the optional cord covers(B) if desired. Drill holes on the wall aligned with the hole locations on the cord bracket(D). Insert the plastic anchors(C) into the holes and then secure the cord bracket(D) to the wall using the wood screws(A).
8. Place the cord into the cord bracket(D) and clasp on the cord cover(B).
9. This lamp features a touch switch. Press and release to turn on/off. When fixture is on, press and hold the switch to cycle from dim to bright and release when desired brightness is reached.

SURFACE MOUNT INSTALLATION (Fig. 2)

10. Remove the mounting screws(G) and take down the fixture.
11. Remove the three wire connectors(E) that connect three core SVT power cord, draw out the SVT power cord and cord sleeve.
12. Knock out the small metal piece at the bottom center of the inner box.
13. Secure the conversion plate, outer box and inner box together to the switch box using the junction box screws provide with junction box.
14. Connect the driver's input wires to junction box wires as shown (Fig.4). Make sure that all wire connectors (E) are secure. If your outlet box has a green or bare copper ground wire, connect the fixture's ground wire to it. Otherwise, connect the fixture's ground wire directly to the inner box using the existing assembly screw(F). After wires are connected, tuck them carefully inside the switch box.
15. Secure the fixture to the inner box post using the mounting screws(G).
16. Insert the hole plug(H) to the hole of the outer box.
17. This lamp features a touch switch. Press and release to turn on/off. When fixture is on, press and hold the switch to cycle from dim to bright and release when desired brightness is reached.

NOTE: Surface mount matches with the switch box only.

RECESSED NICHE INSTALLATION (Fig. 3)

18. Screw off the mounting screws(G) and take down the fixture.
19. Remove the three wire connectors(E) that connect three core SVT power cord, draw out the SVT power cord and cord sleeve.
20. Screw off the assembly screws(F) and take out the inner box.
21. Cut out niche in the wall (L*W*H 163*67*58)
22. Install the inner box refer to the junction box installation, secure the inner box in the hole using wood screw(A).
23. Connect the driver's input wires to junction box wires as shown (Fig. 4). Make sure that all wire connectors (E) are secured. Connect the fixture's ground wire directly to the inner box using the existing assembly screw(F). After wires are connected, tuck them carefully inside the inner box.
24. Secure the fixture to the inner box post using the mounting screws(G).
25. This lamp features a touch switch. Press and release to turn on/off. When fixture is on, press and hold the switch to cycle from dim to bright and release when desired brightness is reached.