

# INSTALLATION INSTRUCTION

## Flush Mount Round

### FM-252124



**CAUTION:** To prevent electrical shock, ensure electricity has been turned off at the circuit breaker before beginning.

- Read all instructions before installing.
- Fixture is intended for installation by a licensed electrician in accordance with the National Electrical Code (NEC) and local regulations
- When handling the fixture, do not apply pressure to the LEDs.
- Retain installation instructions for future maintenance reference.

**WARNING:** All parts must be used as indicated in these instructions. This product is designed for use only with the supplied parts and/or accessories designated for use by WAC Lighting. Substitution of parts or accessories not designated for use with this product by WAC Lighting could result in personal injury or property damage, and will void the warranty. Contact an authorized dealer or the manufacturer if any parts are damaged or missing.

**MAINTENANCE NOTE:** Coastal conditions may cause mineral and residue build-up on the fixture. We recommend that customers in coastal areas clean all external surfaces of the fixture once every two weeks with a wet cloth.

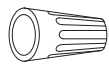
**MISE EN GARDE:** Pour éviter tout choc électrique, assurez-vous que le disjoncteur soit mis hors tension avant de commencer.

- Lisez toutes les instructions avant l'installation.
- Le système doit être installé par un électricien licencié conformément au code national de l'électricité (NEC), et également aux règlements locaux.
- Lors de la manipulation du luminaire, n'appuyez pas sur les LED. Tenez-le uniquement par la base.

**ATTENTION:** Toutes les pièces doivent être utilisées comme indiqué dans ces instructions. Ce produit est conçu pour être utilisé seulement avec les pièces et/ou accessoires fournis pour être utilisés avec les produits WAC Lighting. Remplacer des pièces ou accessoires non conçus pour ce produit WAC Lighting pourrait causer des dommages corporels ou matériels et pourrait également causer l'annulation de la garantie. Veuillez contacter un revendeur autorisé ou le fabricant si des pièces manquent ou sont endommagées.

**NOTE D'ENTRETIEN:** Les conditions côtières peut causer une accumulation de minéraux et de résidus sur le luminaire. Nous recommandons aux clients qui résident dans les zones côtières de nettoyer toutes les surfaces externes du luminaire une fois toutes les deux semaines avec un chiffon humide.

#### HARDWARE



Wire Connector  
Qty: 3pcs+1Extra



Wood Screw  
Qty: 3pcs+1Extra



Plastic Anchors  
Qty: 3pcs+1Extra

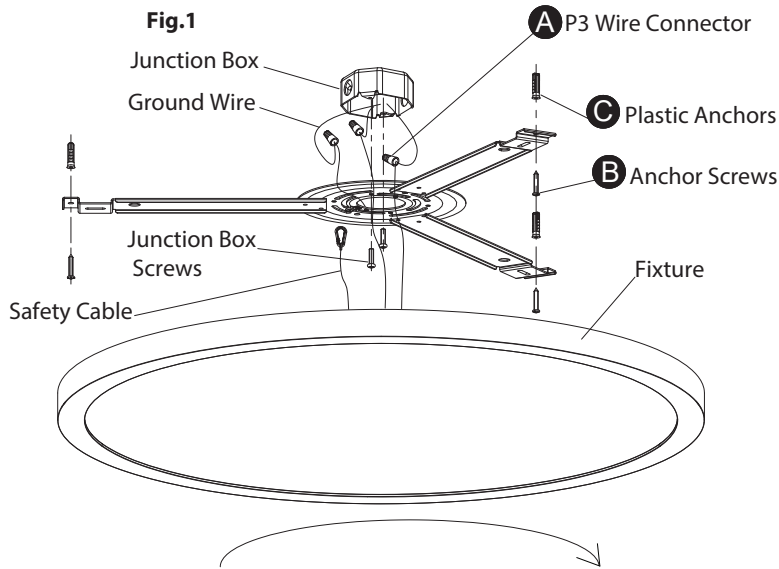
waclighting.com  
Phone (800) 526.2588  
Fax (800) 526.2585

Headquarters/Eastern Distribution Center  
44 Harbor Park Drive  
Port Washington, NY 11050

Central Distribution Center  
1600 Distribution Ct  
Lithia Springs, GA 30122

Western Distribution Center  
1750 Archibald Avenue  
Ontario, CA 91760

INSTALLATION INSTRUCTION  
**Flush Mount Round**  
 FM-252124



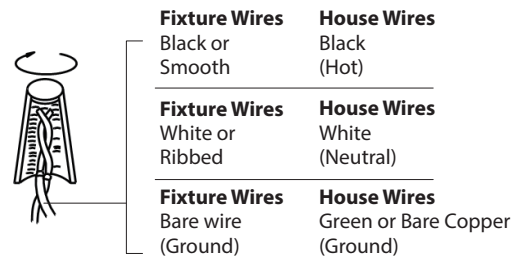
**PREPARATION**

1. Shut off the power at the circuit breaker and remove existing fixture, including the crossbar.
2. Carefully unpack your new fixture and lay out all the parts in a clear area. Be careful not to lose any small parts necessary for installation.

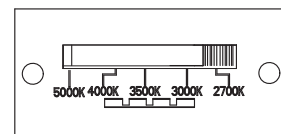
**Ceiling Plate (Fig. 1)**

3. Remove the Ceiling Plate from the fixture.
  4. Set color temperature at this stage. The fixture can switch between five color (2700K-3000K-3500K-4000K-5000K), which can be adjusted your preference using the 5CCT switch (Fig. 3) mounted in the canopy as shown in Fig. 1. All switches must be set on the same setting.
- Note:**  
 Fixture must be powered off to adjust the CCT setting, after each CCT adjustment turn power on to show new CCT setting .
5. Drill holes in the wall aligned with the key holes located in the ceiling plate, insert the plastic anchor (C).
  6. First, secure the ceiling plate to the junction box using the original junction box screws.  
 Second, fasten the ceiling plate to the ceiling using anchor screws (B).
    - (i) It is recommended to use only original junction box screws or replacements provided by junction box manufacturer.
    - (ii) The side of the wall plate marked "GND" must face out, towards the installer.

**Fig.2 Wiring**



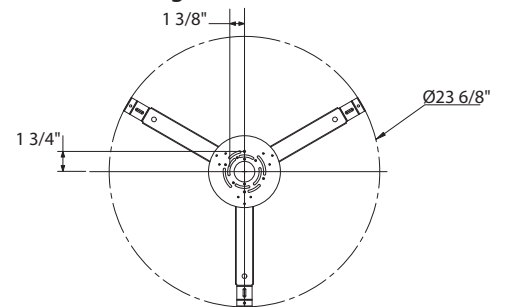
**Fig.3 Switch**



**WIRING AND HANGING FIXTURE (Fig. 1, Fig. 2, Fig. 4)**

7. Raise the fixture and bring the canopy near the ceiling plate. Attach the fixture to the ceiling plate using a safety cable as shown (Fig. 1). This secures the fixture and aids in wiring.
8. Connect the wires as shown in (Fig. 2) and (Fig. 4) using wire connectors (A) provided. Ensure wire connectors (A) are secure. Connect the fixture's ground wire to the ground in the junction box; this will be either a green wire or a bare copper wire. After driver is wired to house wires, tuck them carefully inside the junction box.
9. Rotate the Fixture to secure it to the ceiling plate.

**Ceiling Plate Dimensions**



waclighting.com  
 Phone (800) 526.2588  
 Fax (800) 526.2585

Headquarters/Eastern Distribution Center  
 44 Harbor Park Drive  
 Port Washington, NY 11050

Central Distribution Center  
 1600 Distribution Ct  
 Lithia Springs, GA 30122

Western Distribution Center  
 1750 Archibald Avenue  
 Ontario, CA 91760