

INSTALLATION INSTRUCTIONS

Stealth Framing Projector - Track Luminaire

H/J/L-1210



CAUTION: TO PREVENT ELECTRICAL SHOCK, ENSURE ELECTRICITY HAS BEEN TURNED OFF AT THE CIRCUIT BREAKER BEFORE BEGINNING.

- Read all instructions before installing.
- System is intended for installation by a licensed electrician in accordance with the National Electrical Code (NEC) and local regulations.
- When handling the fixture, do not apply pressure to the LEDs. Hold the fixture by the base only.
- Retain installation instructions for future maintenance reference.

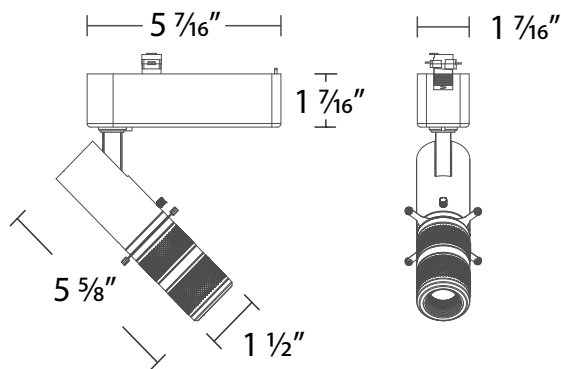
WARNING: All parts must be used as indicated in these instructions. This product is designed for use only with the supplied parts and/or accessories designated for use by WAC Lighting. Substitution of parts or accessories not designated for use with this product by WAC Lighting could result in personal injury or property damage, and will void the warranty. Contact an authorized dealer or the manufacturer if any parts are damaged or missing.

MISE EN GARDE: POUR ÉVITER TOUT CHOC ÉLECTRIQUE, ASSUREZ-VOUS QUE LE DISJONCTEUR SOIT MIS HORS TENSION AVANT DE COMMENCER.

- Lisez toutes les instructions avant l'installation.
- Le système doit être installé par un électricien licencié conformément au code national de l'électricité (NEC), et également aux règlements locaux.
- Lors de la manipulation du luminaire, n'appuyez pas sur les LED. Tenez-le uniquement par la base.

ATTENTION: Toutes les pièces doivent être utilisées comme indiqué dans ces instructions. Ce produit est conçu pour être utilisé seulement avec les pièces et/ou accessoires fournis pour être utilisés avec les produits WAC Lighting. Remplacer des pièces ou accessoires non conçus pour ce produit WAC Lighting pourrait causer des dommages corporels ou matériels et pourrait également causer l'annulation de la garantie. Veuillez contacter un revendeur autorisé ou le fabricant si des pièces manquent ou sont endommagées.

OVERALL FIXTURE DIMENSIONS



LUMINAIRE	TRACK SYSTEM
H-1210	120 VAC H-Series Track
J-1210	120 VAC J or J2-Series Track
L-1210	120 VAC L-Series Track

NOTE: All parts must be used as indicated in these instructions. Do not substitute any parts, leave parts out, or use any parts that are worn out or broken. Failure to follow this instruction could invalidate the ETL/cETL listing of this fixture.

waclighting.com
Phone (800) 526.2588
Fax (800) 526.2585

Headquarters/Eastern Distribution Center
44 Harbor Park Drive
Port Washington, NY 11050

Central Distribution Center
1600 Distribution Ct
Lithia Springs, GA 30122

Western Distribution Center
1750 Archibald Avenue
Ontario, CA 91760



INSTALLATION INSTRUCTIONS

Stealth Framing Projector - Track Luminaire

H/J/L-1210

WAC

FIXTURE INSTALLATION FOR H/L/J TRACK:

1. The track has a groove running its length to indicate polarity (see **FIG.1**).

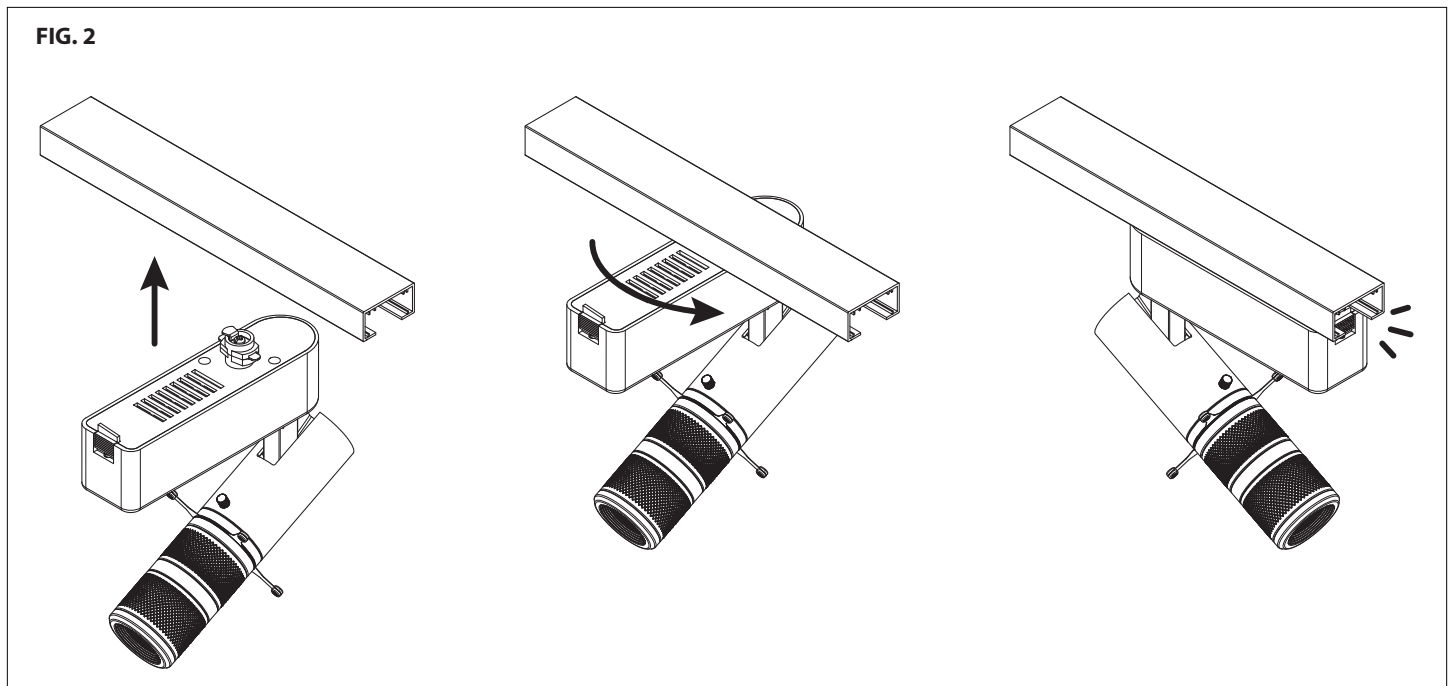
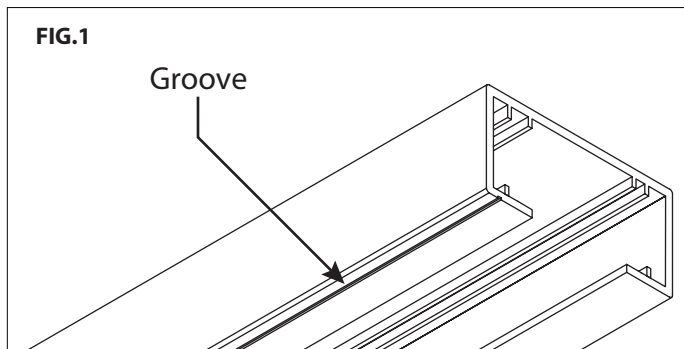
2. With the adapter perpendicular to the track, raise the adapter so the connection point is recessed within the track slot.

For H/J Track: the long end of the adapter should be overhanging on the grooved side of the track before rotating into place.

For L Track: the long end of the adapter should be overhanging on the side opposite the grooved side of the track before rotating into place.

3. Rotate the adapter **CLOCKWISE** into the lock position (see **FIG.2**).

4. To remove, pull down on the locking tab and rotate the fixture **COUNTER CLOCKWISE**. The fixture may be positioned anywhere along the track.



wacighting.com
Phone (800) 526.2588
Fax (800) 526.2585

Headquarters/Eastern Distribution Center
44 Harbor Park Drive
Port Washington, NY 11050

Central Distribution Center
1600 Distribution Ct
Lithia Springs, GA 30122

Western Distribution Center
1750 Archibald Avenue
Ontario, CA 91760



INSTALLATION INSTRUCTIONS

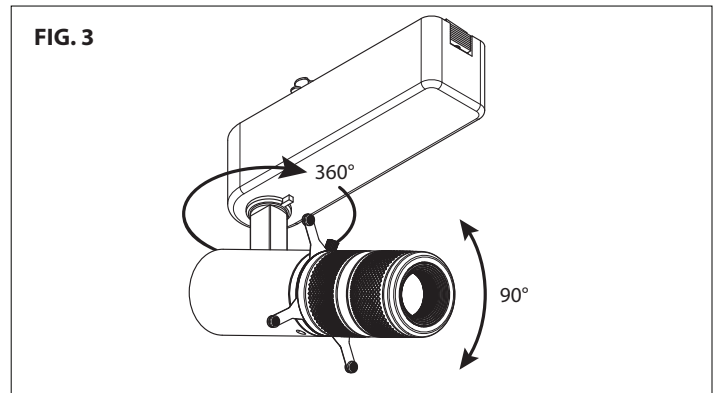
Stealth Framing Projector - Track Luminaire

H/J/L-1210

WAC

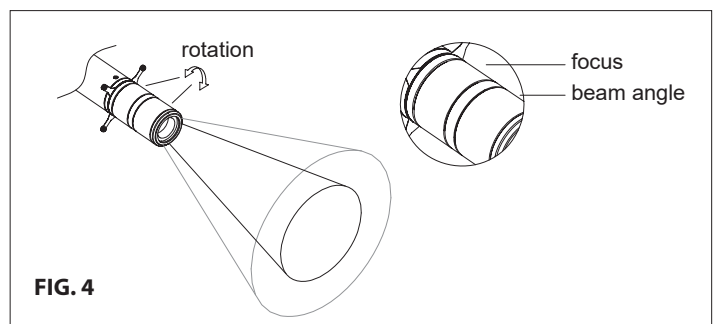
FIXTURE AIMING AND ADJUSTMENT:

Fixture is capable of 90 degree vertical aiming and 360 degree horizontal rotation. (See FIG. 3)

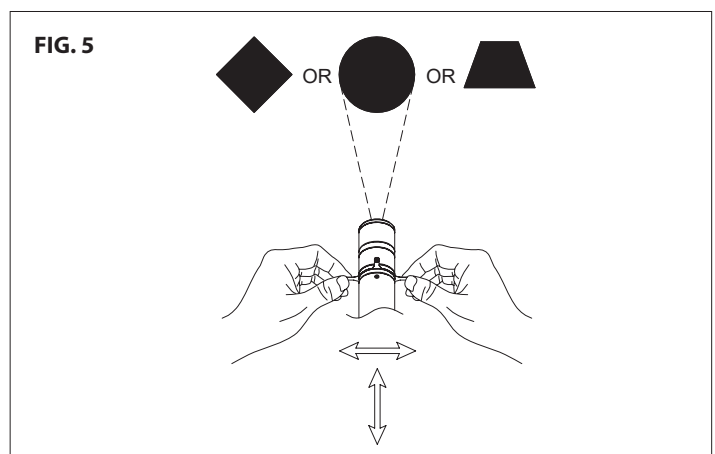


PROJECTOR ADJUSTMENT:

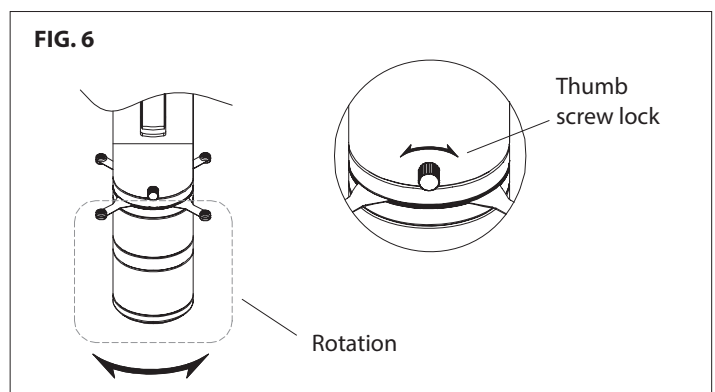
1. Gently support recently turned on fixture body with one hand. Point light directly at the center object to be illuminated.
2. Rotate the fixture dials to zoom and focus light to best effect. (See FIG. 4)



3. To 'frame' an object with light, open the four framing shims outward to the maximum, and then push them inward one by one. Focus can be adjusted after framing. Repeat steps as necessary to achieve best results. (See FIG. 5)



4. To orient the rotation of the frame or Gobo accessory, loosen the thumb screw, rotate the lens about the fixture body to align. Tighten the thumb screw to fix the lens (See FIG. 6).



waclighting.com
Phone (800) 526.2588
Fax (800) 526.2585

Headquarters/Eastern Distribution Center
44 Harbor Park Drive
Port Washington, NY 11050

Central Distribution Center
1600 Distribution Ct
Lithia Springs, GA 30122

Western Distribution Center
1750 Archibald Avenue
Ontario, CA 91760



INSTALLATION INSTRUCTIONS

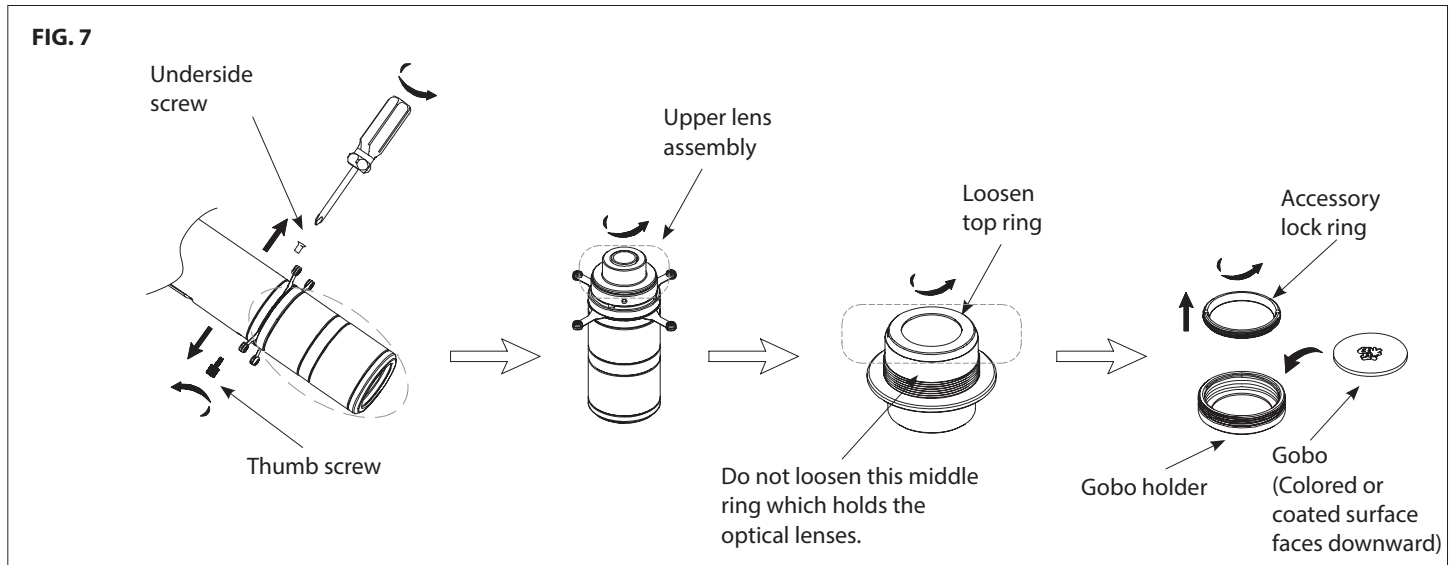
Stealth Framing Projector - Track Luminaire

H/J/L-1210

WAC

GOBO ACCESSORY INSTALLATION: (Gobos by others, reference spec sheet for size compatibility)

1. With fixture uninstalled, remove the thumbs screw and underside screw to remove projector front assembly.
2. Rotate upper lens counterclockwise to remove it.
3. Rotate gobo holder counterclockwise to remove it.
4. Remove accessory lock ring by rotating it counterclockwise or by tool to remove it.
5. Place Gobo in accessory holder with the colored or coated (less shiny) surface faces downward (further from LED). (See **FIG. 7**)
6. Be sure all surfaces are clean and reverse process to complete installation.



CLEANING AND MAINTENANCE

1. If debris or rough areas appear on projection image, remove projector front assembly (see **FIG. 7**) and gently wipe lenses and internal shims with dust-free or microfiber cloth.

waclighting.com
Phone (800) 526.2588
Fax (800) 526.2585

Headquarters/Eastern Distribution Center
44 Harbor Park Drive
Port Washington, NY 11050

Central Distribution Center
1600 Distribution Ct
Lithia Springs, GA 30122

Western Distribution Center
1750 Archibald Avenue
Ontario, CA 91760

