

INSTALLATION INSTRUCTIONS

Stealth Silo Monopoint

Integral Driver Model

MO-2007

WAC

CAUTION: TO PREVENT ELECTRICAL SHOCK, ENSURE ELECTRICITY HAS BEEN TURNED OFF AT THE CIRCUIT BREAKER BEFORE BEGINNING.

- Read all instructions before installing.
- System is intended for installation by a licensed electrician in accordance with the National Electrical Code (NEC) and local regulations.
- When handling the fixture, do not apply pressure to the LEDs. Hold the fixture by the base only.
- Retain installation instructions for future maintenance reference.

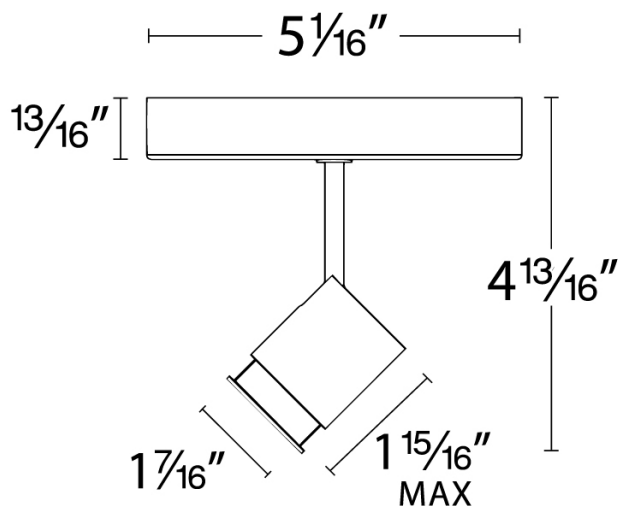
WARNING: All parts must be used as indicated in these instructions. This product is designed for use only with the supplied parts and/or accessories designated for use by WAC Lighting. Substitution of parts or accessories not designated for use with this product by WAC Lighting could result in personal injury or property damage, and will void the warranty. Contact an authorized dealer or the manufacturer if any parts are damaged or missing.

MISE EN GARDE: POUR ÉVITER TOUT CHOC ÉLECTRIQUE, ASSUREZ-VOUS QUE LE DISJONCTEUR SOIT MIS HORS TENSION AVANT DE COMMENCER.

- Lisez toutes les instructions avant l'installation.
- Le système doit être installé par un électricien licencié conformément au code national de l'électricité (NEC), et également aux règlements locaux.
- Lors de la manipulation du luminaire, n'appuyez pas sur les LED. Tenez-le uniquement par la base.

ATTENTION: Toutes les pièces doivent être utilisées comme indiqué dans ces instructions. Ce produit est conçu pour être utilisé seulement avec les pièces et/ou accessoires fournis pour être utilisés avec les produits WAC Lighting. Remplacer des pièces ou accessoires non conçus pour ce produit WAC Lighting pourrait causer des dommages corporels ou matériels et pourrait également causer l'annulation de la garantie. Veuillez contacter un revendeur autorisé ou le fabricant si des pièces manquent ou sont endommagées.

OVERALL FIXTURE DIMENSIONS



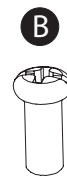
FIXTURE OVERVIEW

Stealth Silo - Monopoint is intended for direct surface mount installation to an NEC approved junction box.

HARDWARE



Wire Connector
Qty: 3 (+1 Extra)



$\frac{1}{8}$ "-40 x $\frac{1}{4}$ " Long
Mounting Screw
Qty: 1 (+1 Extra)

SPECIFICATIONS

Input:	120-277V, 50/60Hz
Installation:	3/0, 4/0 Junction Box
Dimming:	ELV, TRIAC (120V only)

waclighting.com
Phone (800) 526.2588
Fax (800) 526.2585

Headquarters/Eastern Distribution Center
44 Harbor Park Drive
Port Washington, NY 11050

Central Distribution Center
1600 Distribution Ct
Lithia Springs, GA 30122

Western Distribution Center
1750 Archibald Avenue
Ontario, CA 91760



INSTALLATION INSTRUCTIONS

Stealth Silo Monopoint

Integral Driver Model

MO-2007

WAC

PREPARATION:

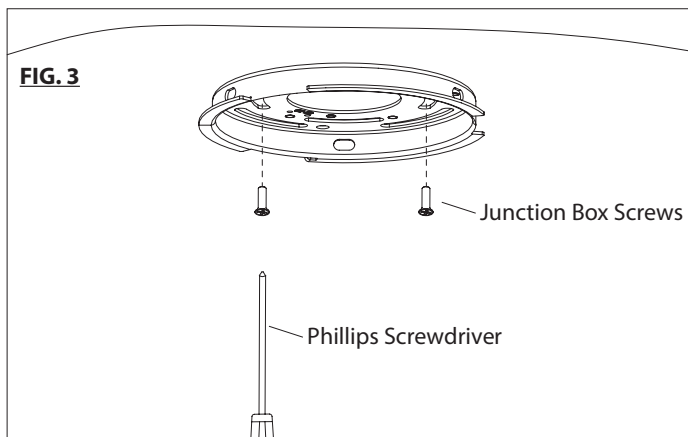
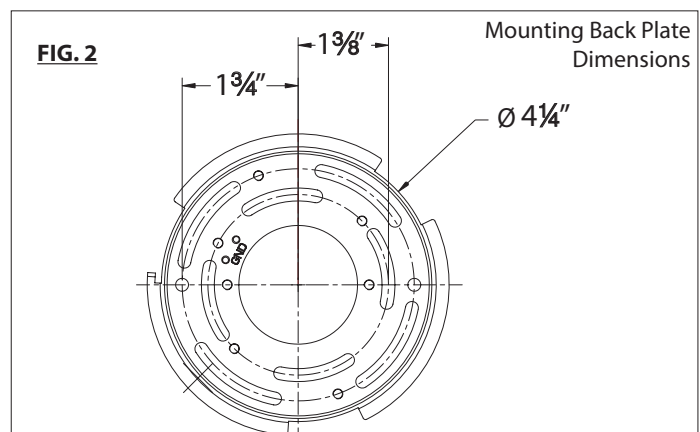
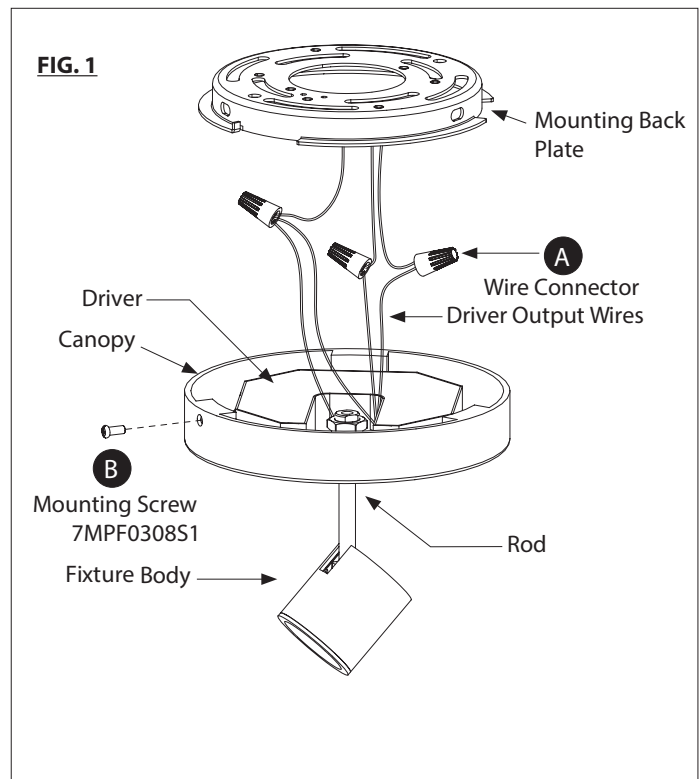
1. Shut off the power at the circuit breaker and remove any existing fixture, including its mounting plate.
2. Carefully unpack your new fixture and lay out all the parts on a clear area. Be careful not to lose any small parts necessary for installation.

MOUNTING THE FIXTURE:

The fixture canopy is supplied with the mounting plate pre-installed and secured by the mounting screw.

1. Loosen the mounting screw (B) to remove the mounting back plate from the fixture (See FIG. 1).
2. Secure the mounting back plate to the junction box using the appropriate junction box screws (See FIG. 3).

NOTE: The side of the mounting back plate marked "GND" must face out.



INSTALLATION INSTRUCTIONS

Stealth Silo Monopoint

Integral Driver Model

MO-2007



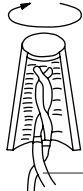
CONNECTING THE POWER WIRES:

1. Connect fixture wires to building wires: insert each supply wire into appropriate junction box wire connector (see **FIG. 4**). The fixture ground wire may be secure to the mounting plate ground screw terminal. Alternatively, it may be spliced and connected to existing building ground wiring (see **FIG. 5**).
2. This fixture features electronic low voltage (ELV) dimming capabilities. To utilize ELV, wire black (line hot), white (line neutral), and green (ground) in accordance to dimmer specifications.
3. Make sure that all wire connectors (A) are secure. If your outlet box has a green or bare copper ground wire, connect the fixture's ground wire to it. Otherwise, connect the fixture's ground wire directly to the mounting back plate using the green screw provided.
4. After wires are connected, tuck them carefully inside inside the junction box.

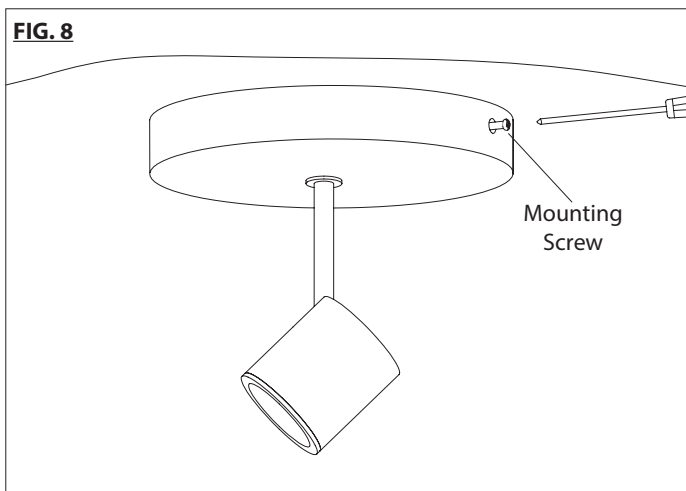
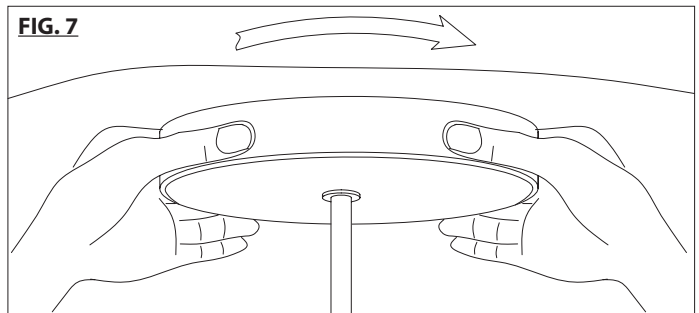
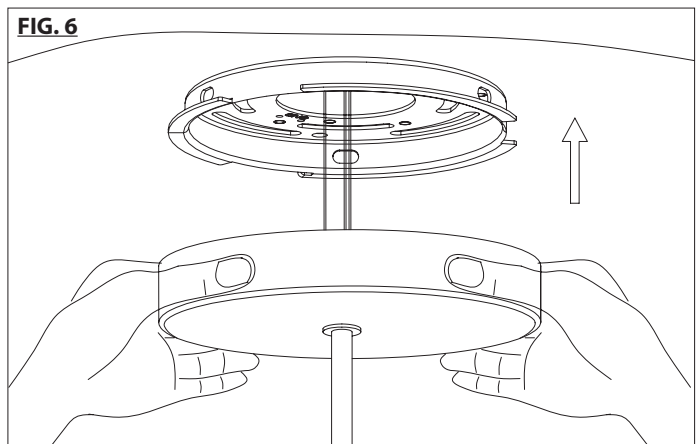
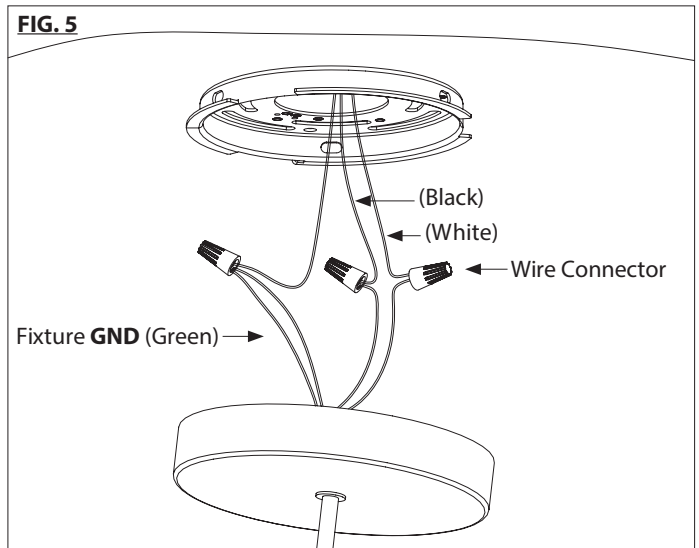
SECURING THE CANOPY:

1. With wire connections placed inside the junction box, raise canopy towards the ceiling (see **FIG. 6**).
2. Align the mounting plate tabs to the open grooves of the canopy. Turn the canopy clockwise (CW) to fasten it to the mounting plate. (see **FIG. 7**).
3. Secure the canopy to the mounting plate and ceiling by fastening the provided mounting screw. (see **FIG. 8**).

FIG. 4



Fixture Wires Black or Smooth	House Wires Black (Hot)
Fixture Wires White or Ribbed	House Wires White (Neutral)
Fixture Wires Green or Bare wire (Ground)	House Wires Green or Bare Copper (Ground)



waclighting.com
Phone (800) 526.2588
Fax (800) 526.2585

Headquarters/Eastern Distribution Center
44 Harbor Park Drive
Port Washington, NY 11050

Central Distribution Center
1600 Distribution Ct
Lithia Springs, GA 30122

Western Distribution Center
1750 Archibald Avenue
Ontario, CA 91760



INSTALLATION INSTRUCTIONS

Stealth Silo Monopoint

Integral Driver Model

MO-2007

WAC

FIXTURE AIMING AND ADJUSTMENT:

Fixture is capable of 90 degree vertical aiming and 360 degree horizontal rotation. (See **FIG. 9** & **FIG. 10**)

BEAM ANGLE ADJUSTMENT:

1. Hold fixture body with one hand and front cap with another.
2. Grip the front cap with two fingers and rotate it gently clockwise (wider beam) or counter clockwise (narrower beam) until desired beam angle is achieved.
3. Cease rotation when you feel resistance as beam angle is reaching its minimum or maximum. (See **FIG. 11**)

FIG. 9

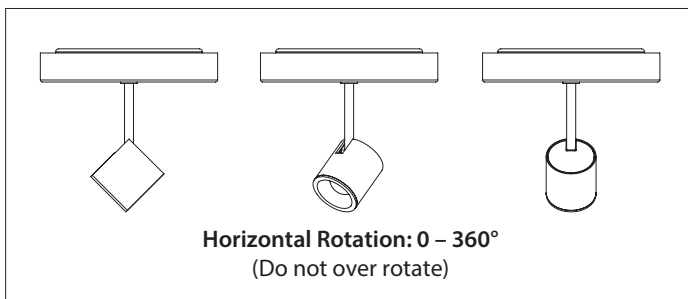


FIG. 10

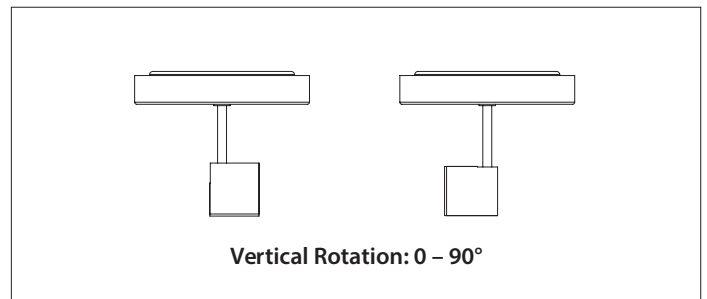


FIG. 11

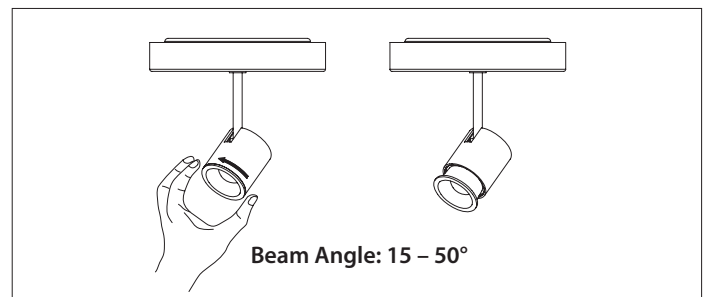
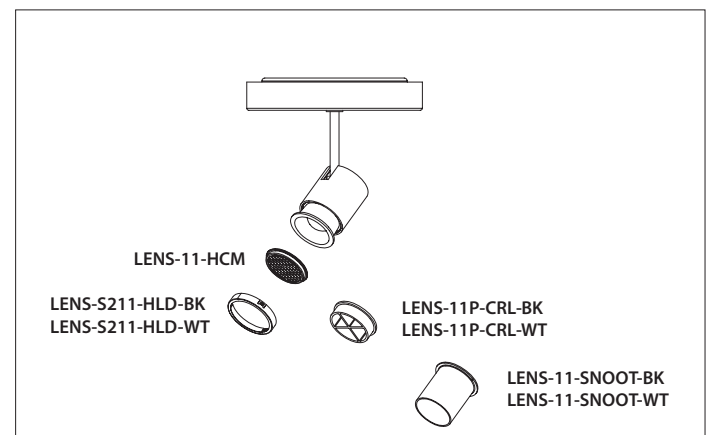


FIG. 12



ACCESSORIES:

1. Fixture accommodates one glare control accessory. Refer to spec sheet for list of compatible accessories.
2. Install accessories between the front cap and accessory holder. (sold separately). Ensure accessory holder is on securely prior to completing installation. (see **FIG. 12**).