

INSTALLATION INSTRUCTIONS

Stealth Silo Monopoint

Remote Driver Model
MR-2007



CAUTION: TO PREVENT ELECTRICAL SHOCK, ENSURE ELECTRICITY HAS BEEN TURNED OFF AT THE CIRCUIT BREAKER BEFORE BEGINNING.

- Read all instructions before installing.
- System is intended for installation by a licensed electrician in accordance with the National Electrical Code (NEC) and local regulations.
- When handling the fixture, do not apply pressure to the LEDs. Hold the fixture by the base only.
- Retain installation instructions for future maintenance reference.

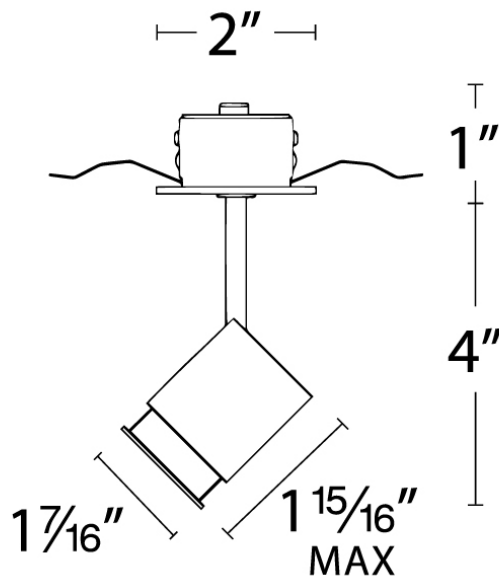
WARNING: All parts must be used as indicated in these instructions. This product is designed for use only with the supplied parts and/or accessories designated for use by WAC Lighting. Substitution of parts or accessories not designated for use with this product by WAC Lighting could result in personal injury or property damage, and will void the warranty. Contact an authorized dealer or the manufacturer if any parts are damaged or missing.

MISE EN GARDE: POUR ÉVITER TOUT CHOC ÉLECTRIQUE, ASSUREZ-VOUS QUE LE DISJONCTEUR SOIT MIS HORS TENSION AVANT DE COMMENCER.

- Lisez toutes les instructions avant l'installation.
- Le système doit être installé par un électricien licencié conformément au code national de l'électricité (NEC), et également aux règlements locaux.
- Lors de la manipulation du luminaire, n'appuyez pas sur les LED. Tenez-le uniquement par la base.

ATTENTION: Toutes les pièces doivent être utilisées comme indiqué dans ces instructions. Ce produit est conçu pour être utilisé seulement avec les pièces et/ou accessoires fournis pour être utilisés avec les produits WAC Lighting. Remplacer des pièces ou accessoires non conçus pour ce produit WAC Lighting pourrait causer des dommages corporels ou matériels et pourrait également causer l'annulation de la garantie. Veuillez contacter un revendeur autorisé ou le fabricant si des pièces manquent ou sont endommagées.

OVERALL FIXTURE DIMENSIONS



FIXTURE OVERVIEW

Fixtures are intended for use with compatible remote power supply. Reference fixture specification sheets and remote power supply instructions for appropriate installation.

CAUTION: DO NOT INSTALL FIXTURE WIRING DIRECTLY TO LINE VOLTAGE

SPECIFICATIONS

Input:	18VDC, 350mA
Dimming:	Reference Remote Power Supply Specifications

waclighting.com
Phone (800) 526.2588
Fax (800) 526.2585

Headquarters/Eastern Distribution Center
44 Harbor Park Drive
Port Washington, NY 11050

Central Distribution Center
1600 Distribution Ct
Lithia Springs, GA 30122

Western Distribution Center
1750 Archibald Avenue
Ontario, CA 91760



INSTALLATION INSTRUCTIONS

Stealth Silo Monopoint

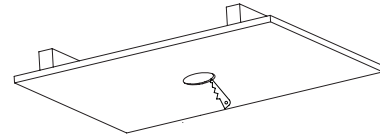
Remote Driver Model
MR-2007

WAC

FIXTURE INSTALLATION

1. Cut a 1 3/4" diameter hole in the ceiling at the point of installation, and install the ceiling (See **FIG. 1**).
2. Raise fixture assembly to ceiling cutout and connect low voltage wiring from remote power supply to fixture wires using supplied wire connectors (See **FIG. 2**).
3. Fold fixture mounting springs inward and insert fixture into ceiling cutout. Be sure once installed, fixture is flush and secure (See **FIG. 3&4**).

FIG. 1



CEILING CUTOUT: 1 3/4" diameter

FIG. 2

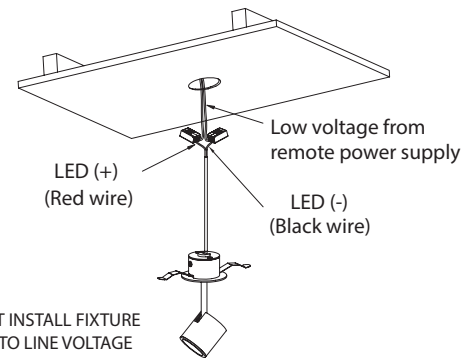


FIG. 3

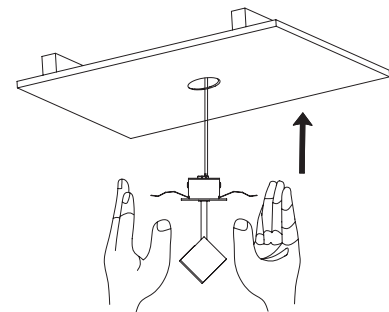
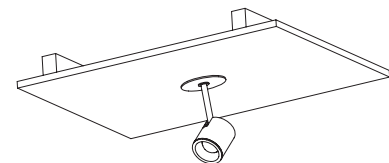


FIG. 4



waclighting.com
Phone (800) 526.2588
Fax (800) 526.2585

Headquarters/Eastern Distribution Center
44 Harbor Park Drive
Port Washington, NY 11050

Central Distribution Center
1600 Distribution Ct
Lithia Springs, GA 30122

Western Distribution Center
1750 Archibald Avenue
Ontario, CA 91760



INSTALLATION INSTRUCTIONS

Stealth Silo Monopoint

Remote Driver Model
MR-2007

WAC

FIXTURE AIMING AND ADJUSTMENTS:

Fixture is capable of 90 degree vertical aiming and 360 degree horizontal rotation. (See **FIG. 5** & **FIG. 6**)

BEAM ANGLE ADJUSTMENT:

1. Hold fixture body with one hand and front cap with another.
2. Grip the front cap with two fingers and rotate it gently clockwise (wider beam) or counter clockwise (narrower beam) until desired beam angle is achieved.
3. Cease rotation when you feel resistance as beam angle is reaching its minimum or maximum (see **FIG. 7**)

FIG. 5

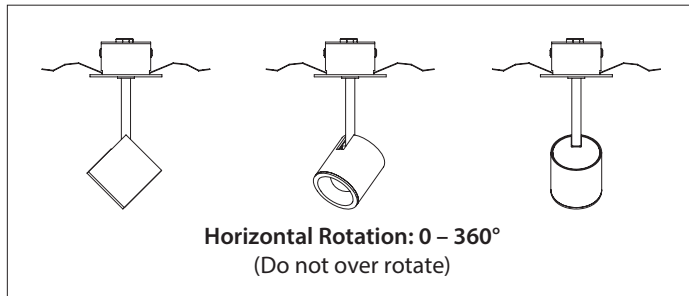
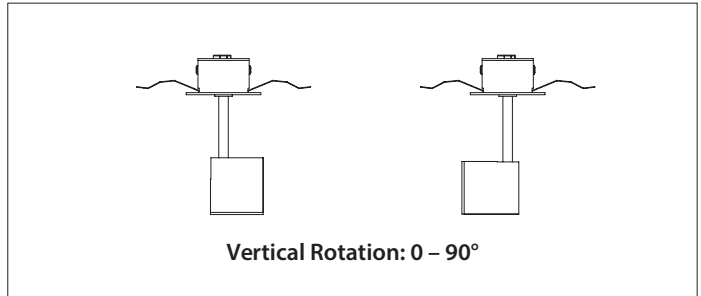


FIG. 6



ACCESSORIES:

1. Fixture accommodates one glare control accessory. Refer to spec sheet for list of compatible accessories.
2. Install accessories between the front cap and accessory holder (sold separately). Ensure accessory holder is on securely prior to completing installation. (See **FIG. 8**)

FIG. 7

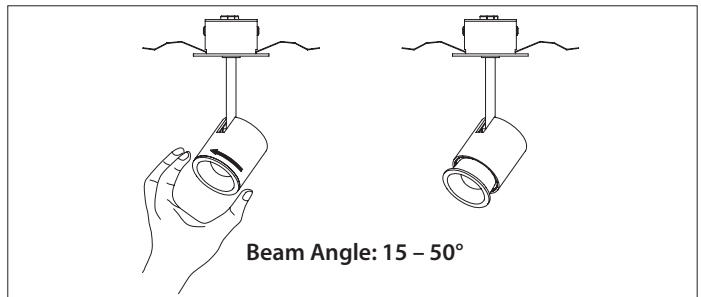
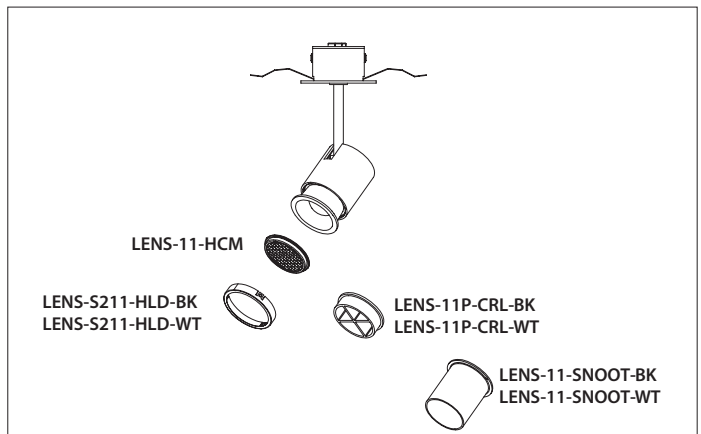


FIG. 8



waclighting.com
Phone (800) 526.2588
Fax (800) 526.2585

Headquarters/Eastern Distribution Center
44 Harbor Park Drive
Port Washington, NY 11050

Central Distribution Center
1600 Distribution Ct
Lithia Springs, GA 30122

Western Distribution Center
1750 Archibald Avenue
Ontario, CA 91760

