

# INSTALLATION INSTRUCTIONS

## 410-LED Pendant

PD410648

# dweLED

**CAUTION:** To prevent electrical shock, ensure electricity has been turned off at the circuit breaker before beginning.

- Read all instructions before installing.
- System is intended for installation by a licensed electrician in accordance with the National Electrical Code (NEC) and local regulations.
- When handling the fixture, do not apply pressure to the LEDs. Hold the fixture by the base only.
- Retain installation instructions for future maintenance reference.

**WARNING:** All parts must be used as indicated in these instructions. This product is designed for use only with the supplied parts and/or accessories designated for use by dweLED. Substitution of parts or accessories not designated for use with this product by dweLED could result in personal injury or property damage, and will void the warranty. Contact an authorized dealer or the manufacturer if any parts are damaged or missing.

**MAINTENANCE NOTE:** Coastal conditions may cause mineral and residue build-up on the fixture. We recommend that customers in coastal areas clean all external surfaces of the fixture once every two weeks with a wet cloth.

**MISE EN GARDE:** Pour éviter tout choc électrique, assurez-vous que le disjoncteur soit mis hors tension avant de commencer.

- Lisez toutes les instructions avant l'installation.
- Le système doit être installé par un électricien licencié conformément au code national de l'électricité (NEC), et également aux règlements locaux.
- Lors de la manipulation du luminaire, n'appuyez pas sur les LED. Tenez-le uniquement par la base.

**ATTENTION:** Toutes les pièces doivent être utilisées comme indiqué dans ces instructions. Ce produit est conçu pour être utilisé seulement avec les pièces et/ou accessoires fournis pour être utilisés avec les produits dweLED. Remplacer des pièces ou accessoires non conçus pour ce produit dweLED, pourrait causer des dommages corporels ou matériels et pourrait également causer l'annulation de la garantie. Veuillez contacter un revendeur autorisé ou le fabricant si des pièces manquent ou sont endommagées.

**NOTE D'ENTRETIEN:** Les conditions côtières peut causer une accumulation de minéraux et de résidus sur le luminaire. Nous recommandons aux clients qui résident dans les zones côtières de nettoyer toutes les surfaces externes du luminaire une fois toutes les deux semaines avec un chiffon humide.

## HARDWARE

A



Plastic Anchor  
Qty: 2pcs+1pc Extra

B



Wood Screws  
Qty: 2 pcs+1 Extra

C



Wire Connector  
Qty: 3 pcs+1 Extra

D



Mounting Screw  
Qty: 1 Extra

wacighting.com  
Phone (800) 526.2588  
Fax (800) 526.2585

Headquarters, East Manufacturing Facility  
44 Harbor Park Drive  
Port Washington, NY 11050

South East Manufacturing Facility  
1600 Distribution Ct  
Lithia Springs, GA 30122

Central Manufacturing Facility  
1700 South J Elmer Freeway, Ste 100  
Cedar Hill, TX 75104

West Manufacturing Facility  
1750 S Archibald Ave  
Ontario, CA 91761

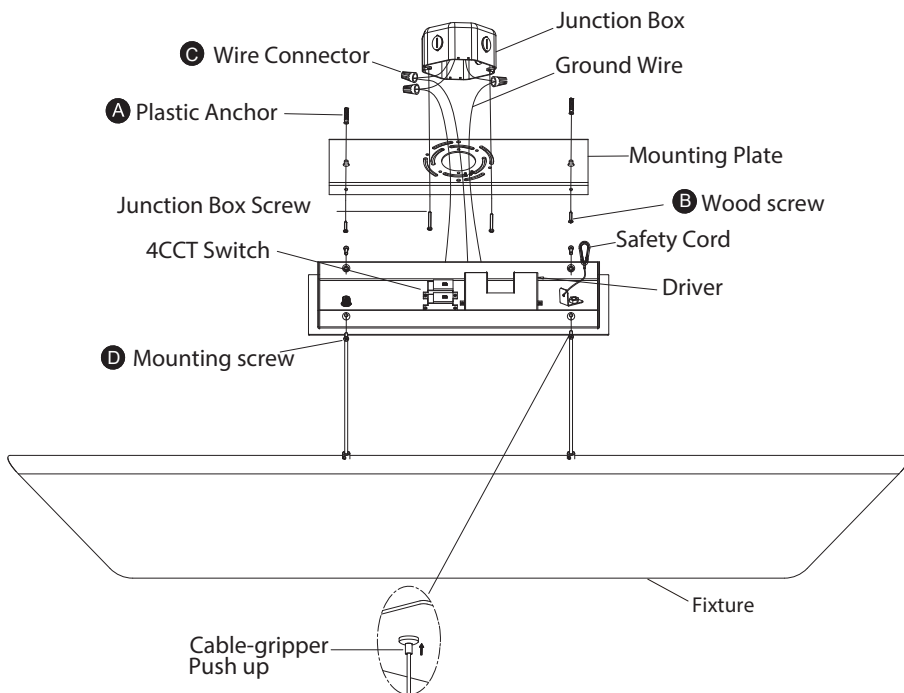
# INSTALLATION INSTRUCTIONS

## 410-LED Pendant

PD410648

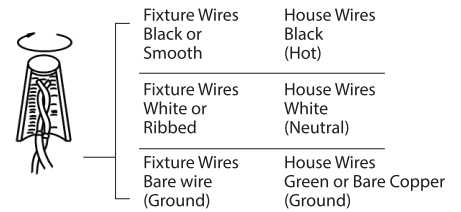
# dweLED

**Fig. 1**

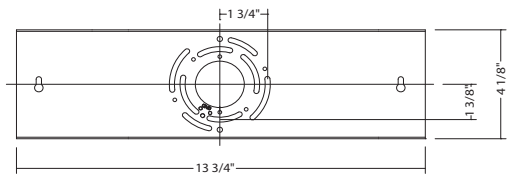


Instruction: Adjust the fixture wire length by pushing the cable gripper on the canopy and pulling the wire as desired.

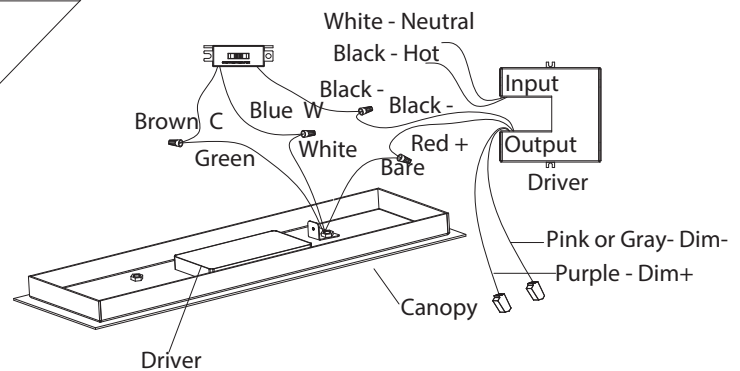
**Fig. 2 Wiring**



**Mounting Plate Dimensions**



**Fig.3 Driver Wires**



### PREPARATION

1. Shut off the power at the circuit breaker and remove existing fixture, including the crossbar.
2. Carefully unpack your new fixture and lay out all the parts on a clear area. Be careful not to lose any small parts necessary for installation.

### MOUNTING THE FIXTURE (Fig. 1)

3. Remove the mounting screw (D) from the mounting plate.
4. Drill holes in the wall aligned with the key holes located in the mounting plate, insert the plastic anchor (A).
5. Secure the mounting plate to the junction box using standard junction box screw that provided with the junction box. Fasten it to the wall using wood screw(B) onto the plastic anchor(A). Hook the safety cord to the mounting plate. Note: There are 1 safety cords in total.

**Note:** (i) Using any other non-original-manufacturer provided junction box screw may result in safety issue;  
(ii) The side of the mounting plate marked "GND" must face out.

6. Adjust the fixture wire length by pushing the cable gripper on the canopy and pulling the wire as desired.
  - a. Retract the wires close to a desirable length and tuck within the canopy before securing the fixture in place.
 

**Note:** retracting or extending excessive cable length through the cable gripper is not recommended.
  - b. Warning: Shortening these cables without professional helps or electronic background is not advisable. Any modifications to the fixture may result in voiding the warranty of the product.
7. Please follow these recommendations if shortening the wire. Note or take a picture of how the wires are being connected and label each wire clearly. Using the Fig.3 as given below as reference.

### CONNECTING THE WIRES (Fig. 2/ Fig.3)

8. Connect the driver's input wires to junction box wires as shown in Fig. 2, making sure that all wire connectors (C) are secured. If your outlet box has a green or bare copper ground wire, connect the fixture's ground wire to it. Otherwise, connect the fixture's ground wire directly to the back plate using the "GND" screw provided. After wires are connected, tuck them carefully inside the junction box.

### NOTE: DIMMING WIRING INFORMATION (Fig. 3)

9. Set color temperature at this stage. The fixture can switch between four color temperatures (2700K, 3000K, 3500K, 4000K), which can be adjusted to your preference using the 4CCT switch (Fig.3) mounted in the canopy.

**Note:** the switch comes with a removable protective cover, Remove the cover prior to adjusting the color temperature, Fasten the cover after adjustment is made

wacighting.com

Phone (800) 526.2588

Fax (800) 526.2585

Headquarters, East Manufacturing Facility

44 Harbor Park Drive

Port Washington, NY 11050

South East Manufacturing Facility

1600 Distribution Ct

Lithia Springs, GA 30122

Central Manufacturing Facility

1700 South J Elmer Freeway, Ste 100

Cedar Hill, TX 75104

West Manufacturing Facility

1750 S Archibald Ave

Ontario, CA 91761