

SAFETY INSTRUCTION

IMPORTANT: NEVER attempt any work without shutting off the electricity.

- Always turn off power at fuse box prior to installation to prevent electrical shock.
- For installation and serviced by a qualified, licensed electrician.
- Install in accordance with national electric code, and local regulations.
- Consult with local inspector to assure compliance.

CAUTION

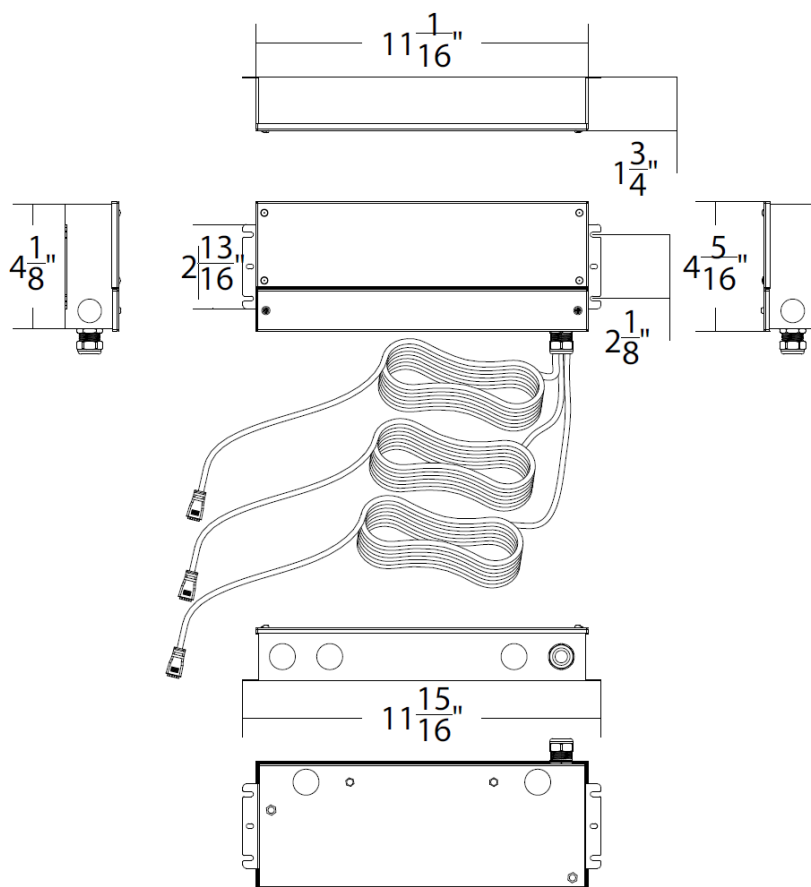
- Read all instructions before installing.
- Installed with adequate ventilation around power supply for thermal dissipation
- Do not modify or disassemble product beyond instructions or warranty will be void
- Failure to follow safety warnings, and installation instruction will void the warranty

FEATURES

- Protection: short circuit/over loading/over temperature
- 24VDC Output, 4A X 3CH, Max (288W) Output, ≥ 0.9 pf
- Ambient Temp: -20°C to 40°C (-4°F to 104°F)
- Full protection aluminum housing for dry and damp location
- TRIAC/ELV/MLV Dimming
- Includes three 6-foot lead wires with 5-pin connectors, ready for direct connection to InvisiLED Lite+, Pro+, Pro2+, and Pro3 tape lights

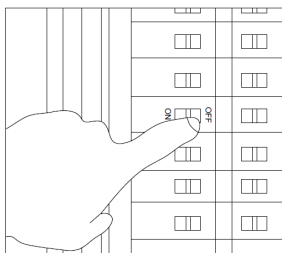
PRODUCT DIMENSION:

3X96W



WIRING AND INSTALLATION:

1. Turn Power off at circuit breaker



2. Connect electrical power feed wires

The power supply box has a separate line voltage, and low voltage wiring compartments.

- Trade size knock out are provided on both compartments. Connect building wires to the same color power supply wires with wire nuts or UL certified electrical connector.
- Enclosed 24VDC output remote power supply must be installed away from any heat sources, and it must be accessible for service.
- Enclosed 24VDC output remote power supply is UL listed.
- There are 3 outputs of 24VDC output, each output can provide 96W Maximum load.

Power Supply Output	
RED	+24VDC
BLACK	-

3. Connect 0-10V wiring (optional)

In a 0-10V dimming system, the wires are color-coded to ensure correct installation. Follow these guidelines to wire the system properly:

- **Purple Wire (Dim +):** This is the positive control wire. Connect this wire to the positive terminal of your dimming control. It sends the signal to adjust the light level.
- **Pink (or Gray) Wire (Dim -):** This is the negative control wire. Connect this wire to the negative terminal of your dimming control. It completes the circuit for the control signal.

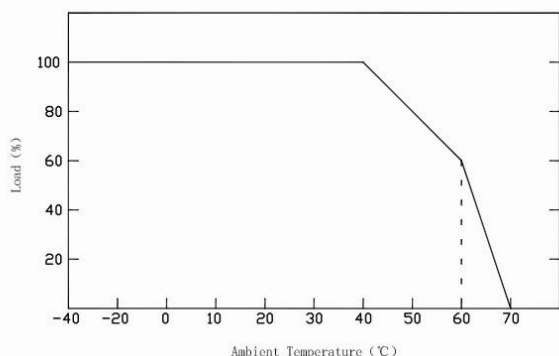
The voltage between the purple (Dim +) and pink (Dim -) wires will adjust the light's brightness:

- **0V:** Lights will be at their minimum brightness or turned off.
- **10V:** Lights will be at full brightness.

Please ensure you connect the wires correctly to avoid improper dimming functionality. Consult WAC tech support team if you encounter any color differences.

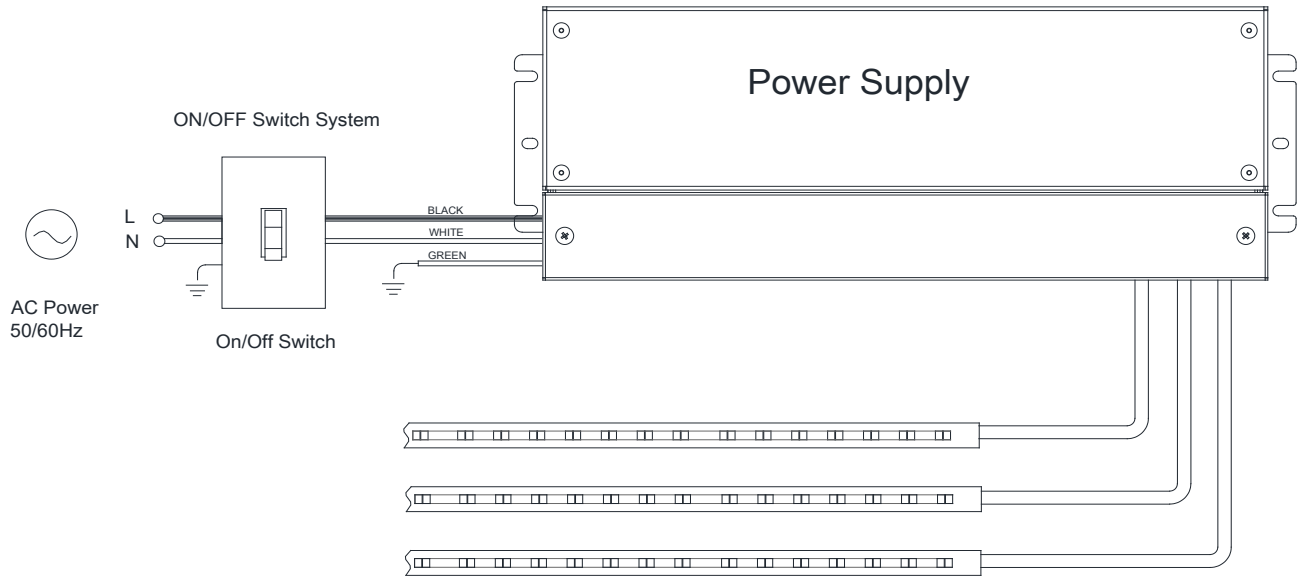
DERATING CURVE:

Output loading will be limited in according to ambient temperature. Considering derating the output load if product is installed where ambient temperature is high.



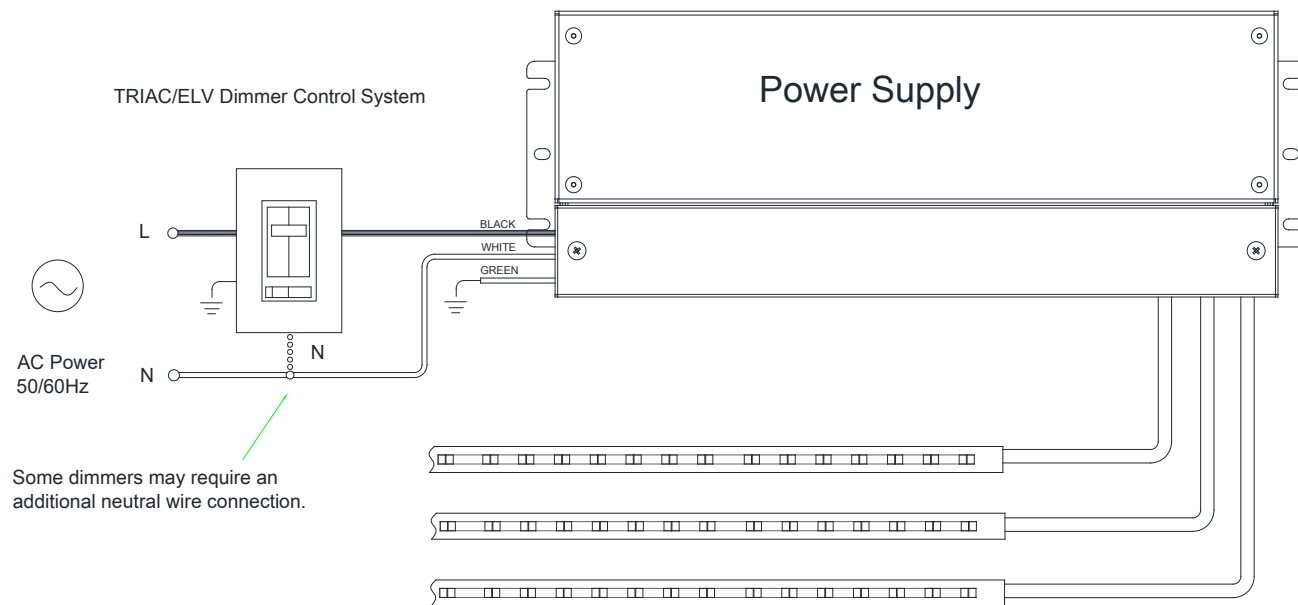
SYSTEM OVERVIEW DIAGRAM

ON/OFF Switch System



Note: Tape light is not included in the package. They are shown in the drawing for demonstration purposes only.

TRIAC/ELV Dimmer Control System

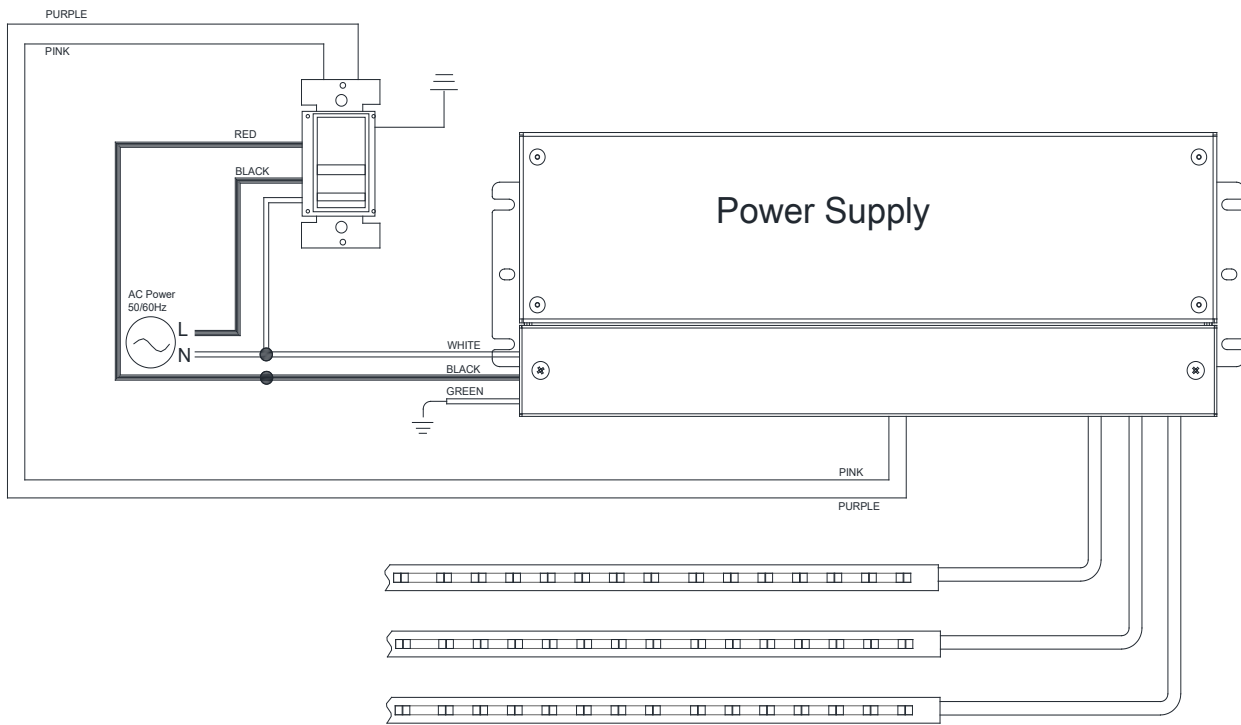


Note: Tape light is not included in the package. They are shown in the drawing for demonstration purposes only.

INSTALLATION INSTRUCTION
24VDC, 3 X 96W POWER SUPPLY
PS-24DC-U3X96R-T



0-10V Dimmer Control System



Note: Tape light is not included in the package. They are shown in the drawing for demonstration purposes only.