

INSTALLATION INSTRUCTION

AETHER ATOMIC - TRIMMED DOWNLIGHT, PINHOLE, WALL WASH

R1ARNT, R1ASNT



WARNING:

IMPORTANT: NEVER attempt to do any work without shutting off the electricity.

- Read all instructions before installing.
- System is intended for installation by a qualified electrician in accordance with the National Electrical Code and local regulations.
- Go to the main fuse box, or circuit breaker. Place the main power switch in the "OFF" position and unscrew the fuse(s) or switch "OFF" the circuit breaker switch(es) that control the power to the fixture or room that you are working on.
- Place the wall switch in the "OFF" position.

AVERTISSEMENT:

IMPORTANT: Coupez l'électricité avant TOUTE manipulation.

- Lisez toutes les instructions avant d'installer.
- Système est destiné à être installé par un électricien qualifié en conformité avec le code national de l'électricité et les règlements locaux.
- Accédez au panneau central de disjoncteurs ou de fusibles de votre demeure et placez l'interrupteur principal en position d'arrêt (« OFF »).
- Placez l'interrupteur mural en position d'arrêt (« OFF »).

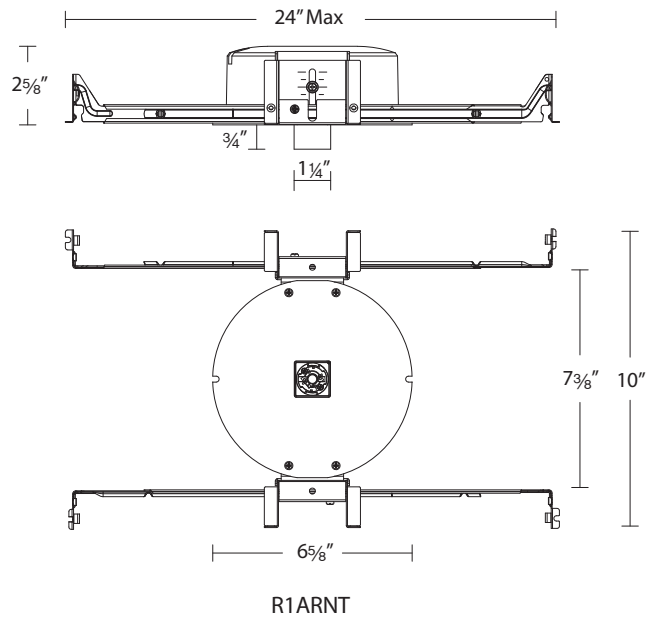
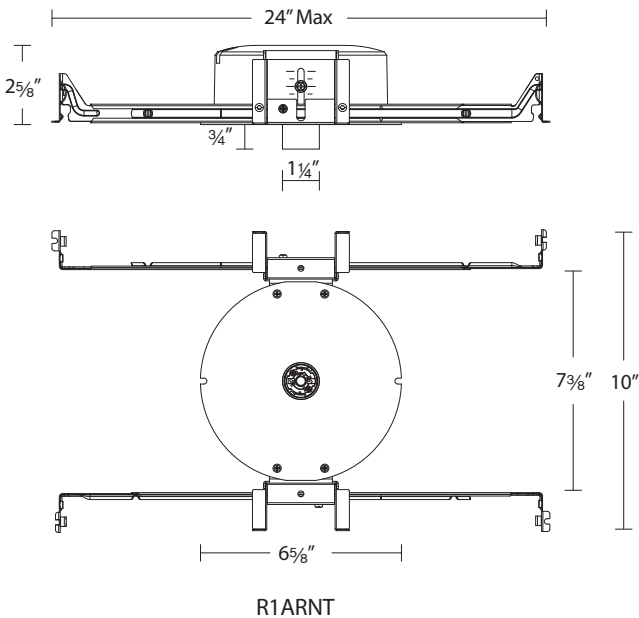
CAUTION:

All parts must be used as indicated in these instructions. Do not substitute any parts, leave parts out, or use any parts that are worn out or broken. Failure to follow this instruction could invalidate the ETL/cETL listing of this fixture.

OVERVIEW:

Housing is IC and Airtight rated, suitable for grid, millwork or drywall ceiling installation. Housing requires a remote power supply to power the LED and a trim for a finished look. Refer to specification sheets for compatible remote power supply and trim options.

OVERALL HOUSING DIMENSION



SPECIFICATIONS	
Housing Input	DC 18V, 600mA Constant Current
Ceiling Cutout	Round: 1 1/4" diameter Square: 1 1/4" x 1 1/4"

Installation Type	Ceiling Thickness	Minimum Required Ceiling Plenum Height
Grid	1/2" - 3/4"	3 1/2"
Millwork	1/2"	3 1/2"
	3/4"	3 1/4"
	1" - 2"	3"
Drywall	1/2" or 5/8"	3 1/2"

wacighting.com	Headquarters, East Manufacturing Facility	South East Manufacturing Facility	Central Manufacturing Facility	West Manufacturing Facility
Phone (800) 526.2588	44 Harbor Park Drive	1600 Distribution Ct	1700 South J Elmer Freeway, Ste 100	1750 S Archibald Ave
Fax (800) 526.2585	Port Washington, NY 11050	Lithia Springs, GA 30122	Cedar Hill, TX 75104	Ontario, CA 91761

INSTALLATION INSTRUCTION

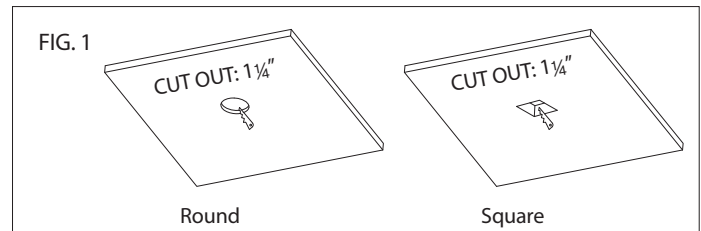
AETHER ATOMIC - TRIMMED DOWNLIGHT, PINHOLE, WALL WASH

R1ARNT, R1ASNT



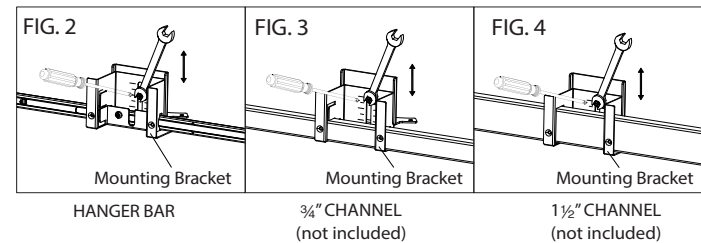
INSTALLATION ON GRID CEILING

1. Cut out a 1 1/4" diameter round or 1 1/4" x 1 1/4" square hole based on housing style on the ceiling panel. (See **FIG. 1**). Install ceiling panel on grid.



2. Housing features mounting brackets that can be used with hanger bars or various channel supports (See **FIG. 2 – FIG. 4**).

Slide the male and female hanger bars or other channel supports through the appropriate holes in the mounting brackets.



3. Hanger bars are notched on the ends to fit over "T" bars in the suspended ceilings supported with tie wires (by others) to upper ceiling structure (See **FIG. 5A**). Channels are placed on top of "T" bars and can be secured with tie wires (See **FIG. 5B**). Slide the housing along the hanger bars or channels to the desired position. Tighten bar locking screws to secure the housing in place (See **FIG. 6**). If channels are used, remove the locking screws from their original locations and reattach them to the channel locking holes to secure the housing in place.

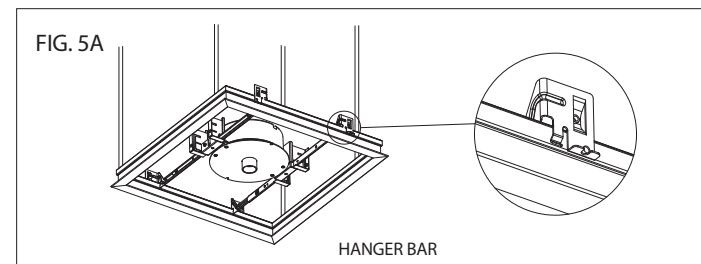
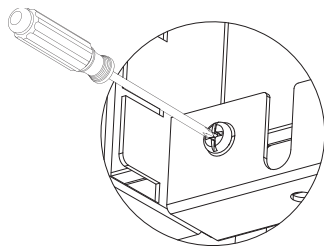
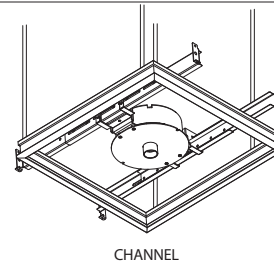


FIG. 6

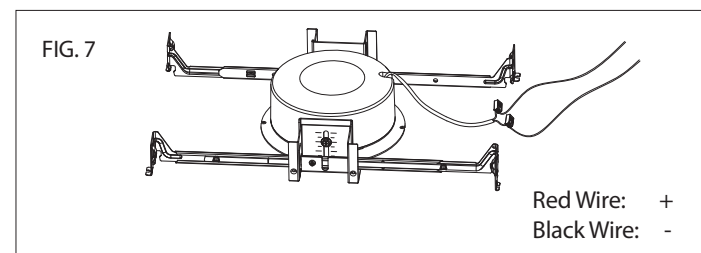


4. Using a Phillips head screwdriver or a wrench, adjust the mounting brackets to proper height by loosening two hex head screws such that the bottom of the housing collar is flush to the bottom of the ceiling. Use the position of the hex head screw, in relation to the horizontal lines on the bracket, as a reference to adjust the mounting brackets on other fixtures (See **FIG. 2 – FIG. 4**).

FIG. 5B

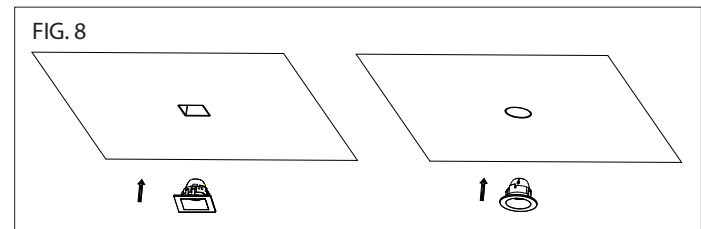


5. Connect two wire leads from the remote power supply using two WAGO connectors pre-installed on housing wire leads (See **FIG. 7**). Refer to remote power supply instruction for fixture and dimmer wiring.



6. Install the trim and reflector assembly by gently pushing it inside the housing collar opening. Ensure the flange of the trim is pressed against the ceiling surface (See **FIG. 8**).

Refer to "INSTALLATION OF REFLECTOR ON TRIM" Section for installing reflector on trim.



wacighting.com

Phone (800) 526.2588

Fax (800) 526.2585

Headquarters, East Manufacturing Facility

44 Harbor Park Drive

Port Washington, NY 11050

South East Manufacturing Facility

1600 Distribution Ct

Lithia Springs, GA 30122

Central Manufacturing Facility

1700 South J Elmer Freeway, Ste 100

Cedar Hill, TX 75104

West Manufacturing Facility

1750 S Archibald Ave

Ontario, CA 91761

INSTALLATION INSTRUCTION

AETHER ATOMIC - TRIMMED DOWNLIGHT, PINHOLE, WALL WASH

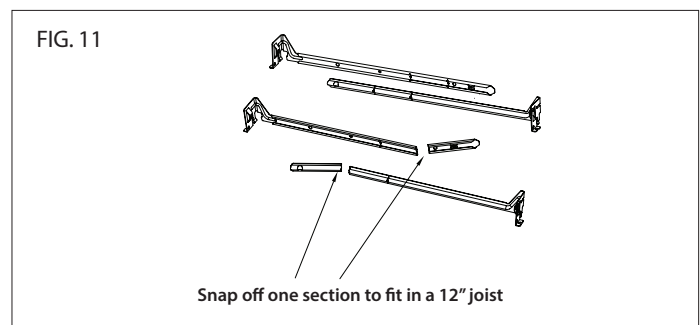
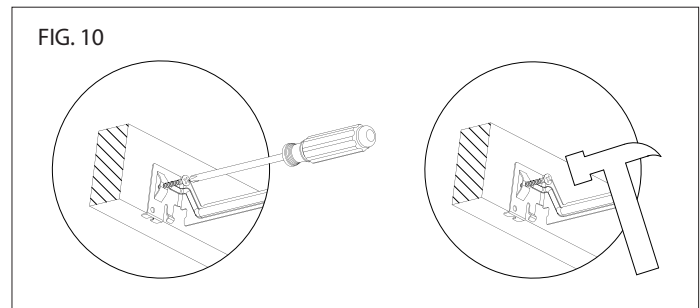
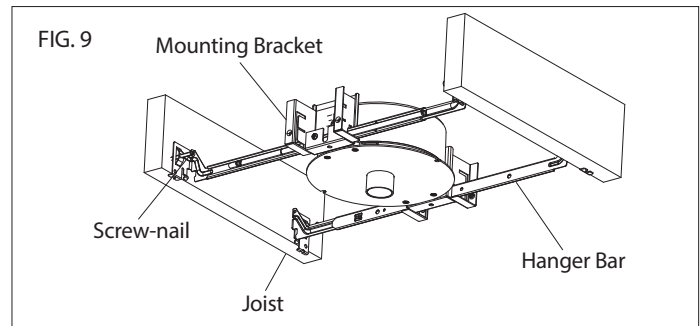
R1ARNT, R1ASNT

WAC

INSTALLATION ON JOIST WITH DRYWALL CEILING

1. Install the hanger bar and housing assembly such that the lip of the hanger bar rests on the bottom surface of the joist. Use a screwdriver or hammer to secure the "screw-nail" into the wood (See **FIG. 9 – FIG. 11**).
2. Slide the housing along the hanger bars to the desired position. Tighten bar locking screws to secure the housing in place (See **FIG. 6**).
3. Using a Phillips head screwdriver or a wrench, adjust the mounting brackets to proper height by loosening two hex head screws such that the bottom of the housing collar is flush to the bottom of the ceiling. Use the position of the hex head screw, in relation to the horizontal lines on the bracket, as a reference to adjust the mounting brackets on other fixtures (See **FIG. 2**).
4. Connect two wire leads from the remote power supply using two WAGO connectors pre-installed on housing wire leads (See **FIG. 7**). Refer to remote power supply instruction for fixture and dimmer wiring.
5. Cut out a 1 1/4" diameter round or 1 1/4" x 1 1/4" square hole based on housing style on the ceiling panel. (See **FIG. 1**). Install the drywall ceiling.
6. Install the trim and reflector assembly by gently pushing it inside the housing collar opening. Ensure the flange of the trim is pressed against the ceiling surface (See **FIG. 8**).

Refer to "INSTALLATION OF REFLECTOR ON TRIM" Section for installing reflector on trim.



wacighting.com

Phone (800) 526.2588

Fax (800) 526.2585

Headquarters, East Manufacturing Facility

44 Harbor Park Drive

Port Washington, NY 11050

South East Manufacturing Facility

1600 Distribution Ct

Lithia Springs, GA 30122

Central Manufacturing Facility

1700 South J Elmer Freeway, Ste 100

Cedar Hill, TX 75104

West Manufacturing Facility

1750 S Archibald Ave

Ontario, CA 91761

INSTALLATION INSTRUCTION

AETHER ATOMIC - TRIMMED DOWNLIGHT, PINHOLE, WALL WASH

R1ARNT, R1ASNT

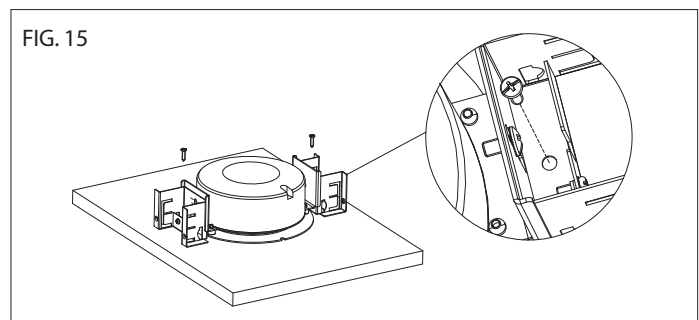
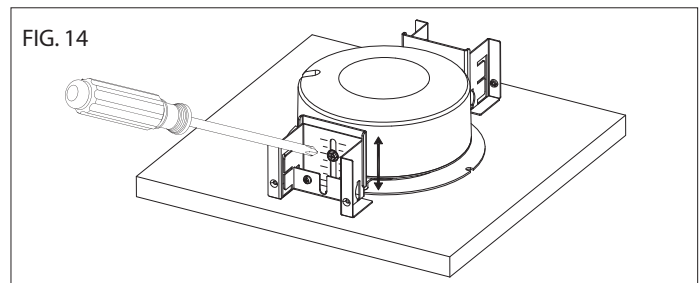
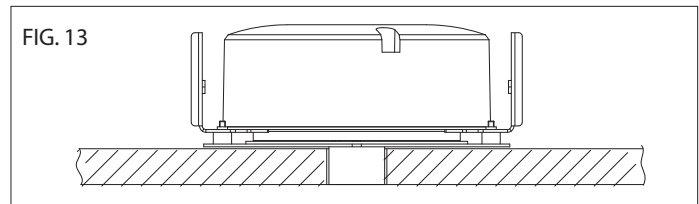
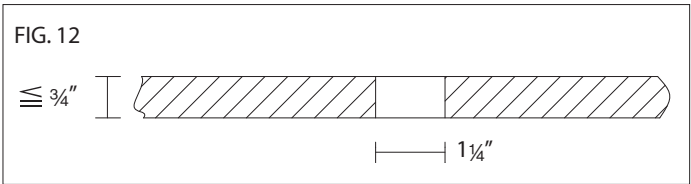
WAC

INSTALLATION ON MILLWORK CEILING

Installation on 3/4" or Less Thickness Panel

1. Cut out a 1 1/4" diameter round or 1 1/4" x 1 1/4" square hole based on housing style on the ceiling panel. (See **FIG. 1** and **FIG. 12**).
 2. Place the housing on top of the millwork panel and fit the housing collar inside the cutout hole (See **FIG. 13**).
 3. Using a Phillips head screwdriver, adjust the mounting brackets to proper height by loosening two hex head screws such that the bottom of the housing collar is flush to the bottom of the ceiling. Use the position of the hex head screw, in relation to the horizontal lines on the bracket, as a reference to adjust the mounting brackets on other fixtures (See **FIG. 14**).
 4. Use two #6 wood screws with proper length (not included with the housing) to fasten on holes located at the bottom of the mounting bracket to secure the housing to the millwork panel (See **FIG. 15**).
- Note:** Hanger bars can also be used for additional support. Contractor to confirm housing is secure to meet job requirements.
5. Connect two wire leads from the remote power supply using two WAGO connectors pre-installed on housing wire leads (See **FIG. 7**). Refer to remote power supply instruction for fixture and dimmer wiring. Refer to remote power supply instruction for fixture and dimmer wiring.
 6. Install the trim and reflector assembly by gently pushing it inside the housing collar opening. Ensure the flange of the trim is pressed against the ceiling surface (See **FIG. 8**).

Refer to "INSTALLATION OF REFLECTOR ON TRIM" Section for installing reflector on trim.



waclighting.com

Phone (800) 526.2588

Fax (800) 526.2585

Headquarters, East Manufacturing Facility

44 Harbor Park Drive

Port Washington, NY 11050

South East Manufacturing Facility

1600 Distribution Ct

Lithia Springs, GA 30122

Central Manufacturing Facility

1700 South J Elmer Freeway, Ste 100

Cedar Hill, TX 75104

West Manufacturing Facility

1750 S Archibald Ave

Ontario, CA 91761

INSTALLATION INSTRUCTION

AETHER ATOMIC - TRIMMED DOWNLIGHT, PINHOLE, WALL WASH

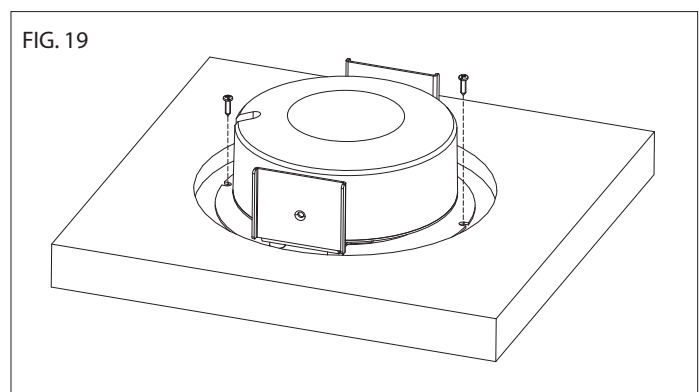
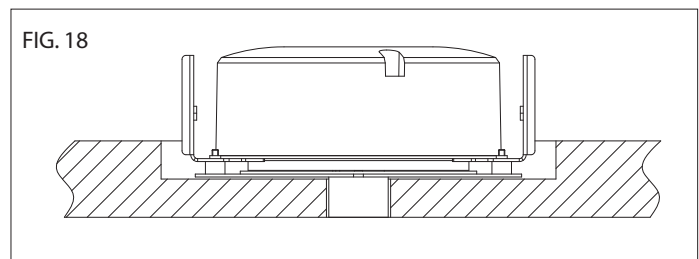
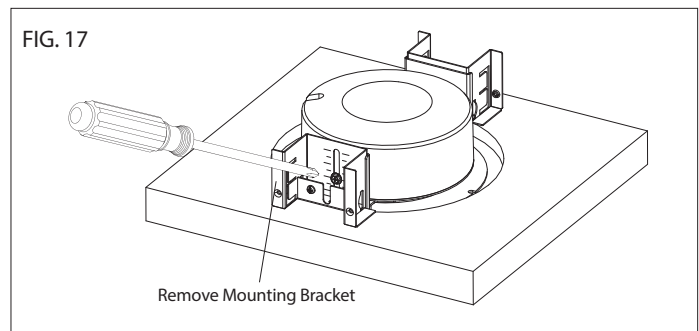
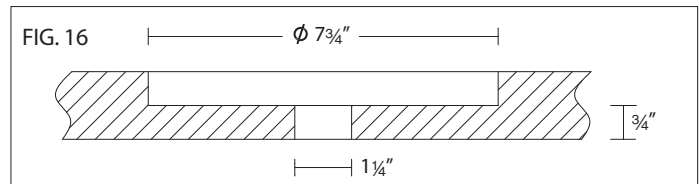
R1ARNT, R1ASNT

WAC

Installation on Larger Than 3/4" Thickness Panel

1. Route a 7 3/4" diameter round pocket on top of the panel to reduce the thickness to 3/4" (See **FIG. 16**). Cut out a 1 1/4" diameter round or 1 1/4" x 1 1/4" square hole based on housing style on the center of the routed circle (**FIG. 16**).
2. Use a Phillips screwdriver to remove the mounting brackets from the housing and have them properly disposed (See **FIG. 17**). Place the housing inside the routed pocket on top of the millwork panel and fit the housing collar inside the cutout hole on the center (See **FIG. 18**).
3. Use two #6 wood screws with proper length (not included with the housing) to fasten on two notches located at the bottom plate to secure the housing to the millwork panel (See **FIG. 19**).
4. Connect two wire leads from the remote power supply using two WAGO connectors pre-installed on housing wire leads (See **FIG. 7**). Refer to remote power supply instruction for fixture and dimmer wiring.
5. Install the trim and reflector assembly by gently pushing it inside the housing collar opening. Ensure the flange of the trim is pressed against the ceiling surface (See **FIG. 8**).

Refer to "INSTALLATION OF REFLECTOR ON TRIM" Section for installing reflector on trim.



waclighting.com

Phone (800) 526.2588

Fax (800) 526.2585

Headquarters, East Manufacturing Facility

44 Harbor Park Drive

Port Washington, NY 11050

South East Manufacturing Facility

1600 Distribution Ct

Lithia Springs, GA 30122

Central Manufacturing Facility

1700 South J Elmer Freeway, Ste 100

Cedar Hill, TX 75104

West Manufacturing Facility

1750 S Archibald Ave

Ontario, CA 91761

INSTALLATION INSTRUCTION

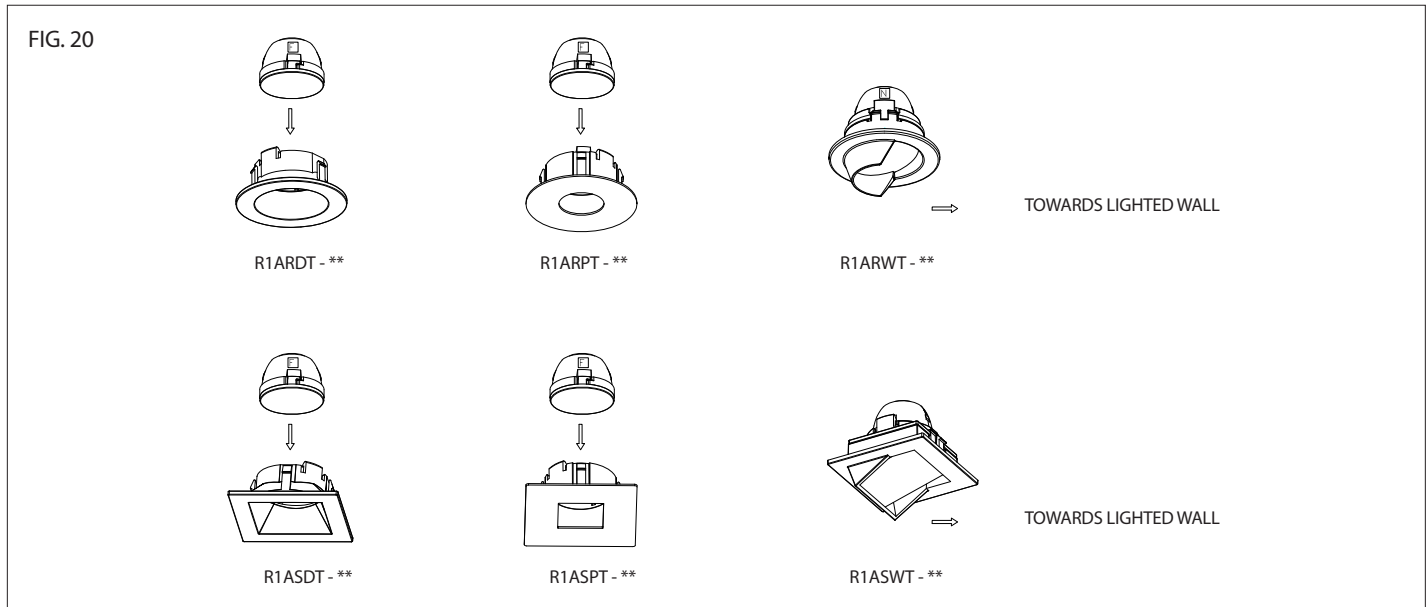
AETHER ATOMIC - TRIMMED DOWNLIGHT, PINHOLE, WALL WASH

R1ARNT, R1ASNT



INSTALLATION OF REFLECTOR ON TRIM

Choose the reflector with the desired beam angle and snap it on top of downlight trim or pinhole to install. Ensure the reflector fully engages with the clips at the top of trim or pinhole and is flush (See **FIG. 20**. Note: While other reflectors are included in the reflector package, only "F" reflector is shown in the figure). All wall wash trims come with the reflector pre-installed in the factory.



SERVICING TRIM AND LIGHT ENGINE

(With Service Tool **R1A-TOOL**)

Removing Trim

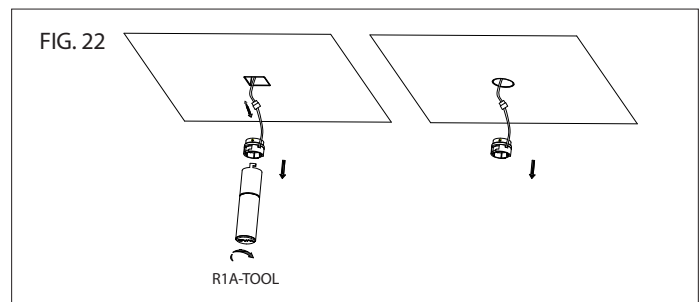
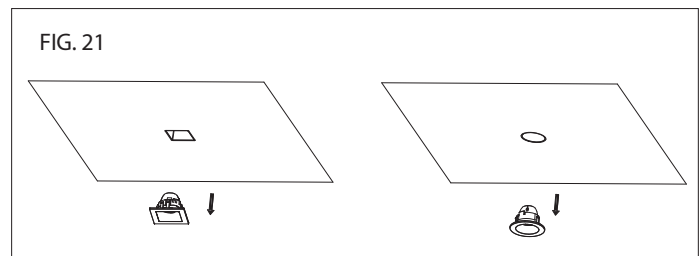
Note: Turn off power and let trim cool down before removing trim.

To remove trim, simply use fingers to grip the edge of trim and gently pull it down to remove it from the housing. (See **Fig. 21**)

Replacing Light Engine

1. Remove trim from the housing. Locate two notches on edge of the LED holder inside the housing collar. Insert the tip of service tool inside the collar to have the two L-shape hooks travel through the two notches of the LED holder, then slightly turn clockwise to engage with two tabs of the LED holder. Gently pull the light engine down to separate magnets and to remove it from housing. Disconnect the wire connector to replace light engine (See **Fig. 22**).

2. Connect the new light engine to the wire connector, use finger to push wire leads back to the cavity of housing on side of the light engine receptacle. Be sure the wire leads do not tangle to block the receptacle of light engine. Use the service tool to gently insert light engine through the housing collar to let its base fully engaged with the magnet of the receptacle (See **Fig. 22**).



REMOTE POWER SUPPLY WIRING

Refer to relative instructions of remote power supply for installation of power supply.

wacighting.com

Phone (800) 526.2588

Fax (800) 526.2585

Headquarters, East Manufacturing Facility

44 Harbor Park Drive

Port Washington, NY 11050

South East Manufacturing Facility

1600 Distribution Ct

Lithia Springs, GA 30122

Central Manufacturing Facility

1700 South J Elmer Freeway, Ste 100

Cedar Hill, TX 75104

West Manufacturing Facility

1750 S Archibald Ave

Ontario, CA 91761