

INSTALLATION INSTRUCTION

Volta 2" Tunable White - Adjustable/Pinhole Round Trim

R2RAT, R2RPT

WAC®

SAFETY INSTRUCTION

IMPORTANT: Never attempt any work without shutting off the electricity.

- Read all instructions before installing.
- System is intended for installation by a qualified electrician in accordance with the National Electrical Code and local regulations.
- Go to the main fuse box, or circuit breaker. Place the main power switch in the "OFF" position and unscrew the fuse(s) or switch "OFF" the circuit breaker switch(es) that control the power to the fixture or room that you are working on.
- Place the wall switch in the "OFF" position.

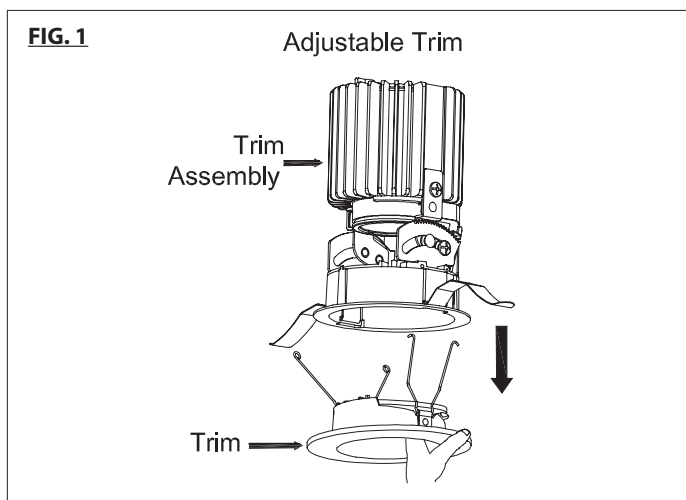
AVERTISSEMENT

IMPORTANT: Coupez l'électricité avant TOUTE manipulation.

- Lisez toutes les instructions avant d'installer.
- Système est destiné à être installé par un électricien qualifié en conformité avec le code national de l'électricité et les règlements locaux.
- Accédez au panneau central de disjoncteurs ou de fusibles de votre demeure et placez l'interrupteur principal en position d'arrêt (« OFF »).
- Placez l'interrupteur mural en position d'arrêt (« OFF »).

CAUTION:

All parts must be used as indicated in these instructions. Do not substitute any parts, leave parts out, or use any parts that are worn out or broken. Failure to follow this instruction could invalidate the ETL/cETL listing of this fixture.



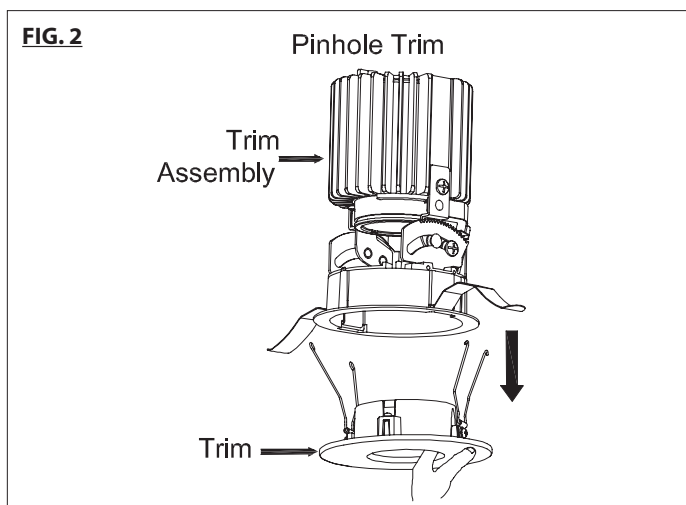
TRIM MODEL

Follow appropriate housing instructions to begin installation.

TRIM AND INVISIBLE TRIM INSTALLATION

Note: Before installation, make sure the trim assembly is in vertical straight position.

1. Remove trim from trim assembly (See **FIG. 1 & 2**), then raise the trim assembly to ceiling cutout.



wacighting.com
Phone (800) 526.2588
Fax (800) 526.2585

Headquarters, East Manufacturing Facility
44 Harbor Park Drive
Port Washington, NY 11050

South East Manufacturing Facility
1600 Distribution Ct
Lithia Springs, GA 30122

Central Manufacturing Facility
1700 South J Elmer Freeway, Ste 100
Cedar Hill, TX 75104

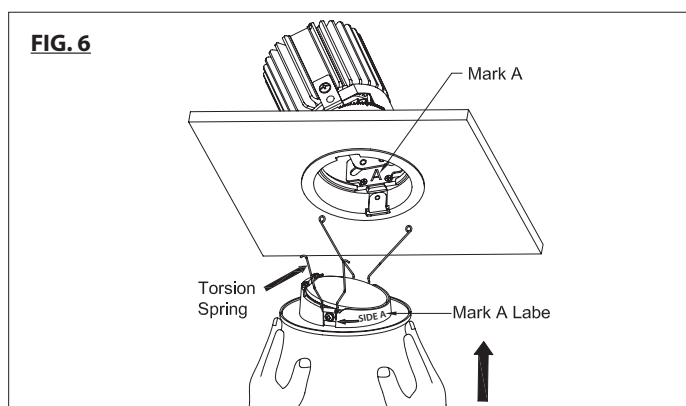
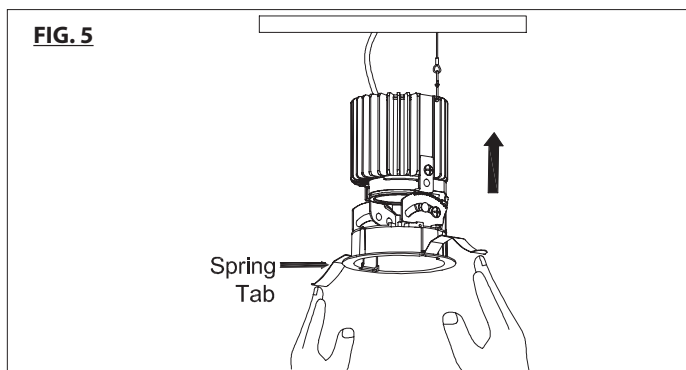
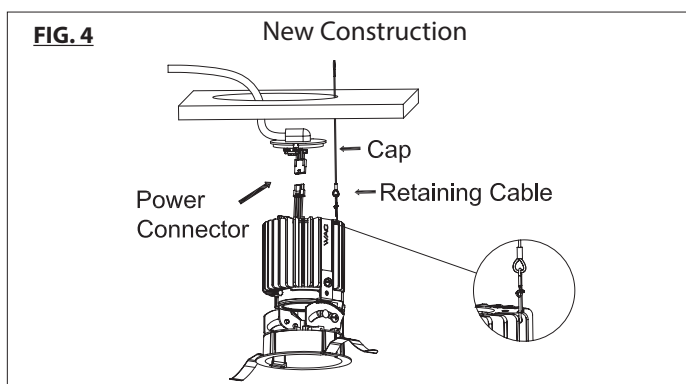
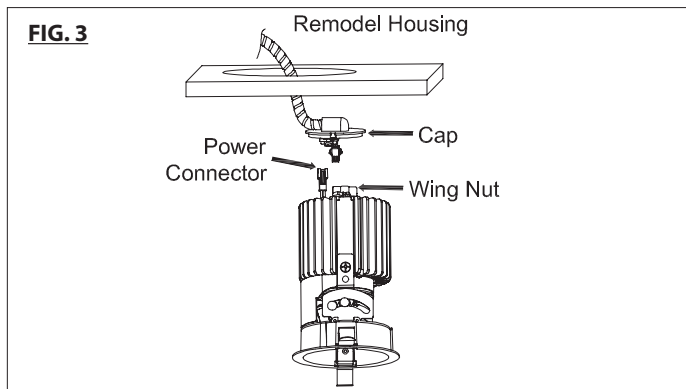
West Manufacturing Facility
1750 S Archibald Ave
Ontario, CA 91761

INSTALLATION INSTRUCTION

Volta 2" Tunable White - Adjustable/Pinhole Round Trim

R2RAT, R2RPT

WAC®



2. Connect power connector, install cap onto top of heat sink and turn wing nut to lock cap securely. For new construction housing, connect retaining cable from housing to trim. (See **FIG. 3 & FIG. 4**).

3. Fold trim assembly mounting spring tabs inward and insert trim assembly into ceiling cutout. Be sure once installed, trim assembly is flush and secure (See **FIG.5**).

4. Before insert trim inside trim assembly, the trim assembly needs to be adjusted to the desired position horizontally and vertically. See the following section of optional adjustment features for the details.

5. After finishing the adjustment, raise trim into trim assembly until the trim is flush with ceiling surface. Be sure trim torsion springs go into slots in trim assembly. For adjustable trim, make sure the torsion spring marked A on the trim goes into the slot marked A in the trim assembly (See **FIG.6**).

OPTIONAL ADJUSTMENT FEATURES

The adjustable/pinhole trims can be adjusted to aim the light beam to accent objects, walls, etc. This action needs to be done before the trim is installed.

wacighting.com
Phone (800) 526.2588
Fax (800) 526.2585

Headquarters, East Manufacturing Facility
44 Harbor Park Drive
Port Washington, NY 11050

South East Manufacturing Facility
1600 Distribution Ct
Lithia Springs, GA 30122

Central Manufacturing Facility
1700 South J Elmer Freeway, Ste 100
Cedar Hill, TX 75104

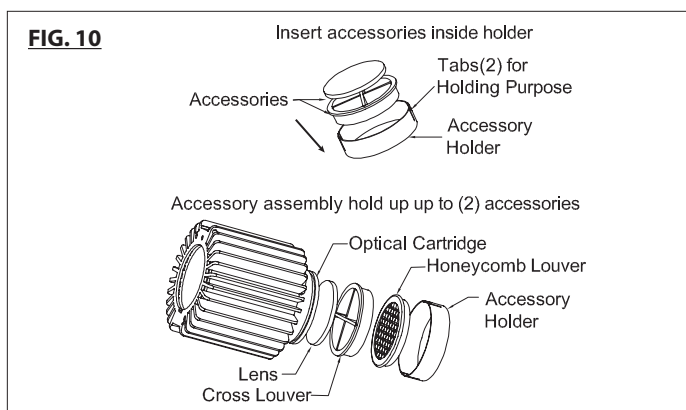
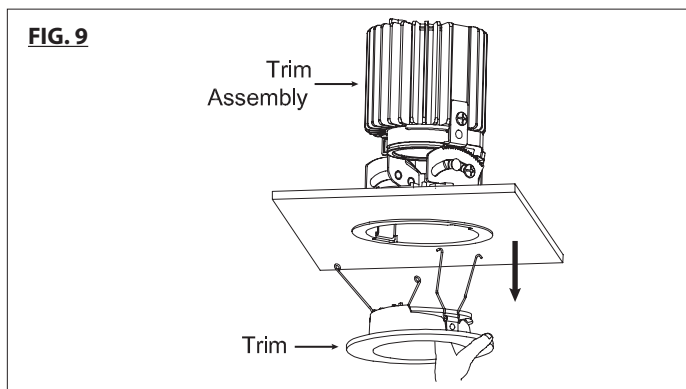
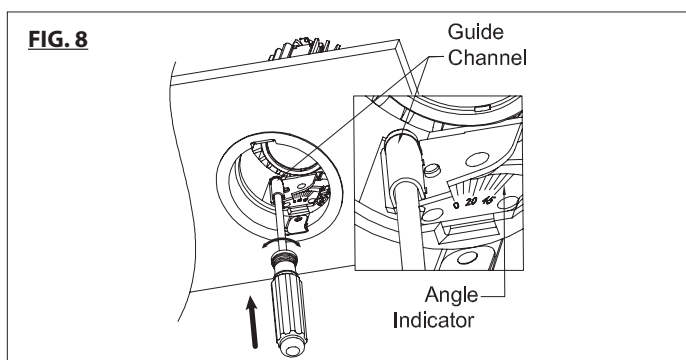
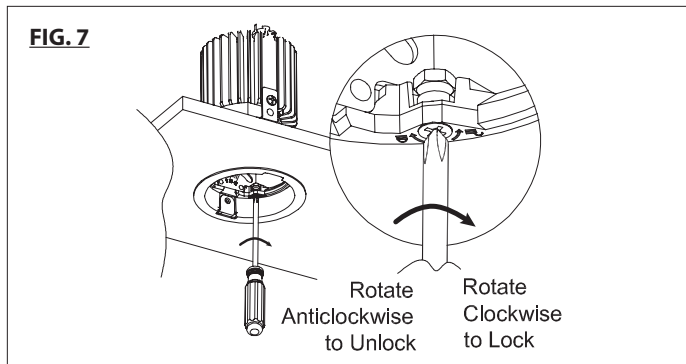
West Manufacturing Facility
1750 S Archibald Ave
Ontario, CA 91761

INSTALLATION INSTRUCTION

Volta 2" Tunable White - Adjustable/Pinhole Round Trim

R2RAT, R2RPT

WAC®



1. Horizontal (Rotational) Adjustment

The trim assembly is capable of being horizontally rotated up to 365 degrees, and can be locked in place once the adjustment is done.

- Use the Philips-head screw driver to loosen the locking screw by turning anti-clockwise in order to rotate trim assembly freely to aim the beam of light horizontally (See **FIG.7**).
- After adjusting trim assembly to the desired position, lock it in-place by turning the locking screw clockwise to the end (See **FIG.7**).

2. Vertical (Angular) Adjustment

The trim assembly is capable of being vertically adjusted between 0-45 degrees, and can be self-locked in place once the adjustment is done.

- Insert the Philips-head screw driver into the guide channel.
- Gently push up screw drive to release spring latch. While holding latch up, tilt screw driver handle until the desired angle is achieved. The angle indicator is marked with lines in 5° increments to assist with positioning (See **FIG.8**).

Note: The adjustable/pinhole trims have the Hot-Aiming feature for both horizontal rotation and vertical adjusting.

ACCESSORY INSTALLATION

- Power off fixture and let fixture cool down.
- Remove trim from trim assembly (See **FIG.9**).
- Adjust trim assembly to the vertical straight position.
- Prepare accessory holder with appropriate accessory (See **FIG.10**).

wacighting.com
Phone (800) 526.2588
Fax (800) 526.2585

Headquarters, East Manufacturing Facility
44 Harbor Park Drive
Port Washington, NY 11050

South East Manufacturing Facility
1600 Distribution Ct
Lithia Springs, GA 30122

Central Manufacturing Facility
1700 South J Elmer Freeway, Ste 100
Cedar Hill, TX 75104

West Manufacturing Facility
1750 S Archibald Ave
Ontario, CA 91761

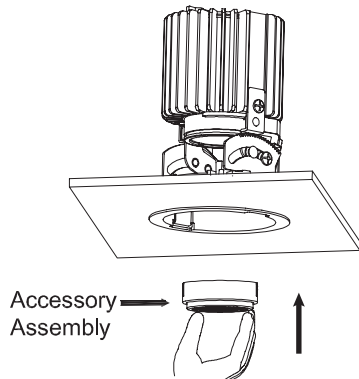
INSTALLATION INSTRUCTION

Volta 2" Tunable White - Adjustable/Pinhole Round Trim

R2RAT, R2RPT

WAC®

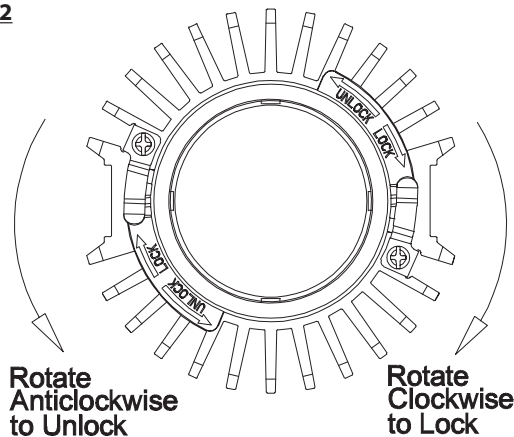
FIG. 11



5. Raise the accessory assembly up into the trim opening, engage the accessory holder with optical cartridge and push up to end to lock (See **FIG.11**).
6. Put back trim assembly to the desired position.
7. Reinstall trim into trim assembly until trim is flush with ceiling surface. Be sure trim torsion springs go into slots in trim assembly. For adjustable trim, make sure the torsion spring marked A on the trim goes into the slot marked A in the trim assembly (See **FIG.6**).

Note: Accessories are capable of being installed with fixture on table top or in ceiling.

FIG. 12



REFLECTOR REPLACEMENT

1. Power off fixture and let fixture cool down.
2. Exchange reflector
 - a. Remove trim from trim assembly (See **FIG.9**).
 - b. Adjust trim assembly to the vertical straight position.
 - c. Insert hand into fixture opening to grip optical cartridge, rotate to unlock and take out (See **FIG.12**).
 - d. Insert the replacement reflector into optical cartridge, put the whole assembly back inside fixture and lock it to heat sink (See **FIG.12**).
 - e. Put back trim assembly to the original position.

Reinstall trim inside ceiling opening or fixture to complete (See **FIG. 6**).