

INSTALLATION INSTRUCTION

Volta 2" Tunable White - Remodel Housing Invisible Trim

R2RRL, R2SRL



SAFETY INSTRUCTION

IMPORTANT: Never attempt any work without shutting off the electricity.

- Read all instructions before installing.
- System is intended for installation by a qualified electrician in accordance with the National Electrical Code and local regulations.
- Go to the main fuse box, or circuit breaker. Place the main power switch in the "OFF" position and unscrew the fuse(s) or switch "OFF" the circuit breaker switch(es) that control the power to the fixture or room that you are working on.
- Place the wall switch in the "OFF" position.

AVERTISSEMENT

IMPORTANT : Coupez l'électricité avant TOUTE manipulation.

- Lisez toutes les instructions avant d'installer.
- Système est destiné à être installé par un électricien qualifié en conformité avec le code national de l'électricité et les règlements locaux.
- Accédez au panneau central de disjoncteurs ou de fusibles de votre demeure et placez l'interrupteur principal en position d'arrêt (« OFF »).
- Placez l'interrupteur mural en position d'arrêt (« OFF »).

CAUTION:

All parts must be used as indicated in these instructions. Do not substitute any parts, leave parts out, or use any parts that are worn out or broken. Failure to follow this instruction could invalidate the ETL/cETL listing of this fixture.

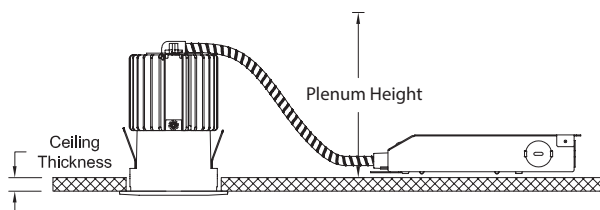
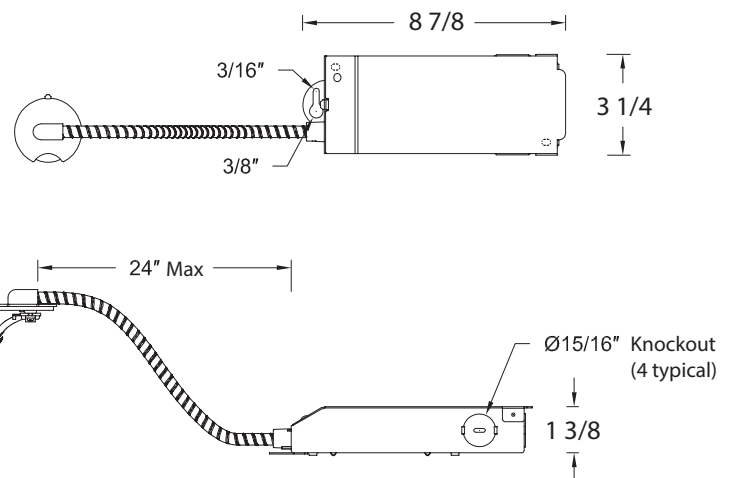
OVERVIEW:

Housing is remodel Non-IC. Housing requires a trim for a finished look. Refer to specification sheets for compatible trim options.

INSTALLATION REQUIREMENT

Ceiling Thickness	Minimum Required Plenum Height
1/2"	7"
1"	6.5"

OVERALL HOUSING DIMENSION



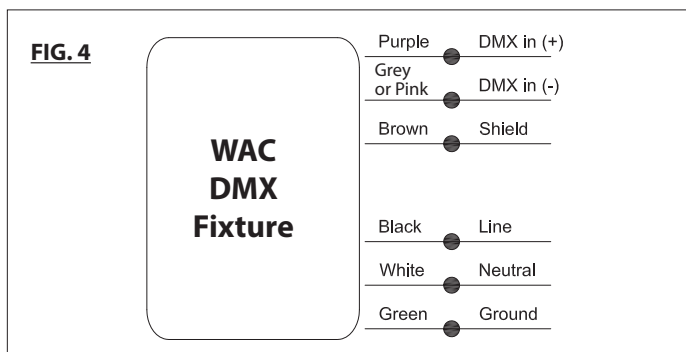
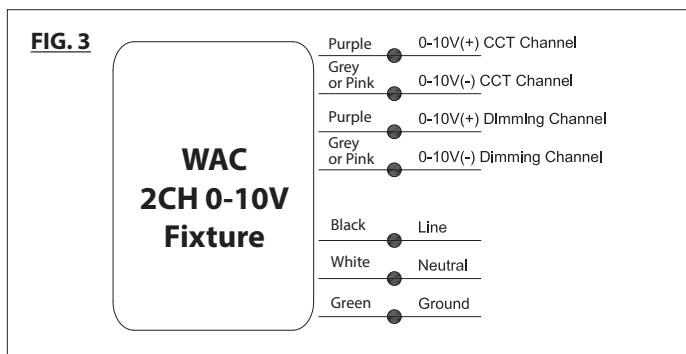
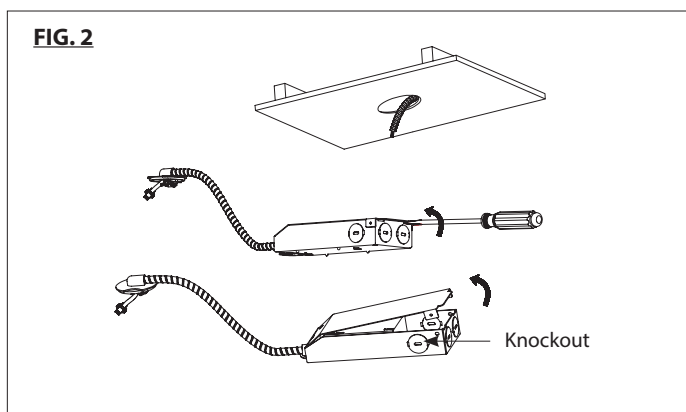
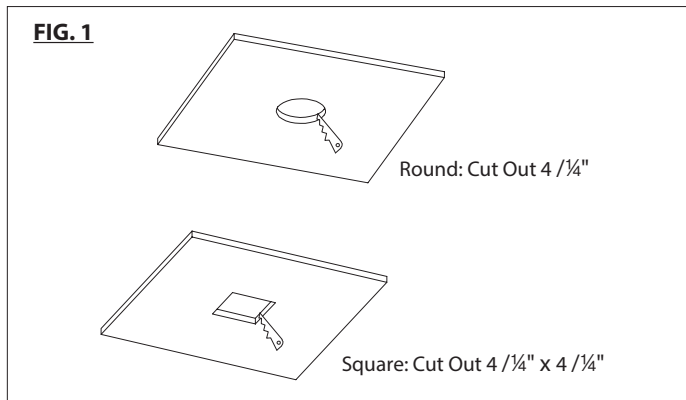
SPECIFICATIONS	
Input:	120-277V, 50/60Hz
Installation:	Non-IC
Dimming	DMX for T-X model 0-10V for T-Z model

wacighting.com	Headquarters, East Manufacturing Facility	South East Manufacturing Facility	Central Manufacturing Facility	West Manufacturing Facility
Phone (800) 526.2588	44 Harbor Park Drive	1600 Distribution Ct	1700 South J Elmer Freeway, Ste 100	1750 S Archibald Ave
Fax (800) 526.2585	Port Washington, NY 11050	Lithia Springs, GA 30122	Cedar Hill, TX 75104	Ontario, CA 91761

INSTALLATION INSTRUCTION

Volta 2" Tunable White - Remodel Housing Invisible Trim

R2RRL, R2SRL



HOUSING INSTALLATION:

- At the point of installation, cut a 4 1/4" round hole for a round trim or a 4 1/4" X 4 1/4" square hole for a square trim (See **FIG. 1**).

Note: Ceiling thickness table below.

Invisible Trim™ Installation

Specifications		Ceiling Thickness	
Trim Model	Trim Description	1/2"	1"
R2RD2T, R2SD2T	Downlight	Yes	Yes
R2RD1T, R2SD1T	Shallow Regressed Trim	Yes	Yes
R2RAT, R2SAT R2RPT, R2SPT	Adjustable/Pinhole	Yes, to 45°	Yes, to 35°
R2RWT, R2SWT	Wall Wash	Yes	No

- Pull building supply wires through ceiling cutout and open fixture junction box door (See **FIG. 2**).

Remove desired housing knockout and feed building wires into housing using appropriate connector.

- Connect fixture wires to building wires: insert each supply wire into appropriate connector.

- For 0-10V control [**T-Z** models] (See **FIG. 3**):
Two 0-10V input signals are used to achieve CCT and intensity changing. Recommended maximum of 500ft of 18 ga 0-10V communication wiring.
- For DMX control [**T-X** models] (See **FIG. 4**):
Two DMX input channels are used to achieve CCT and intensity changing. Factory default Channel 1 is intensity changing and Channel 2 is CCT changing. If differing channels are desired in the field, use of a RDM compatible control console can reassign channels.

It is recommended to use cable specifically designed for DMX. These cables have an impedance of 120Ω and a low capacitance. For instance: Belden 9841 or 3105a. At the last fixture, the cable to be terminated with a 120Ω resistor between the DMX (+) and DMX (-) pinouts to prevent reflections of the signal. The resistor value of the resistor on the last driver should be kept the same as the resistor of signal wires.

Recommended maximum of 500ft of cabling from controller to last fixture. After 32 unit loads a repeater/booster is recommended.

wacighting.com
Phone (800) 526.2588
Fax (800) 526.2585

Headquarters, East Manufacturing Facility
44 Harbor Park Drive
Port Washington, NY 11050

South East Manufacturing Facility
1600 Distribution Ct
Lithia Springs, GA 30122

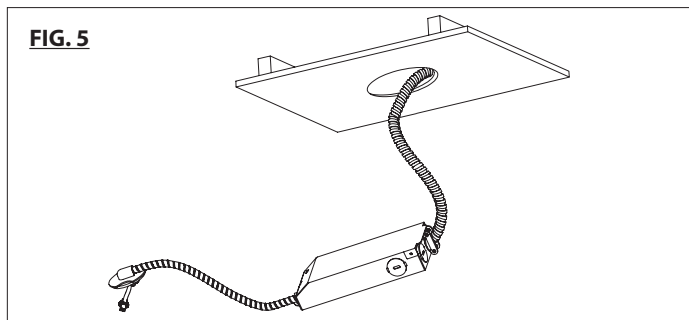
Central Manufacturing Facility
1700 South J Elmer Freeway, Ste 100
Cedar Hill, TX 75104

West Manufacturing Facility
1750 S Archibald Ave
Ontario, CA 91761

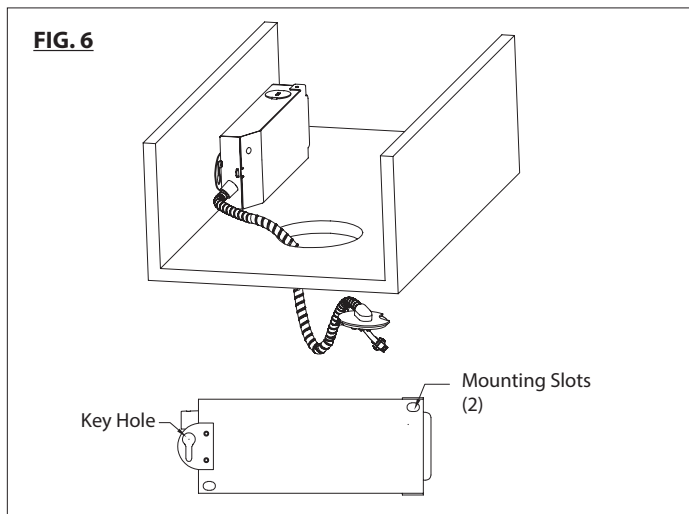
INSTALLATION INSTRUCTION

Volta 2" Tunable White - Remodel Housing Invisible Trim

R2RRL, R2SRL



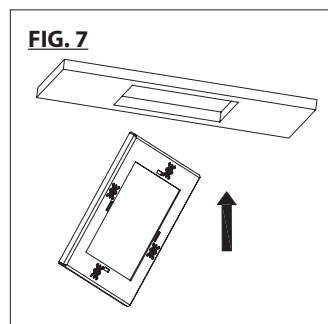
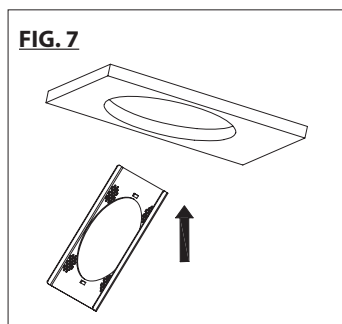
- Place all wiring and connectors back in junction box and replace the junction box's cover (See **FIG. 5**).



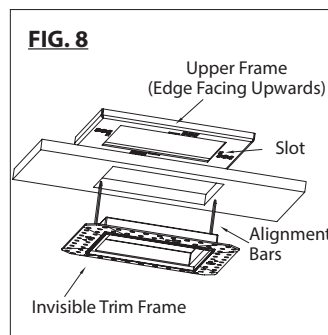
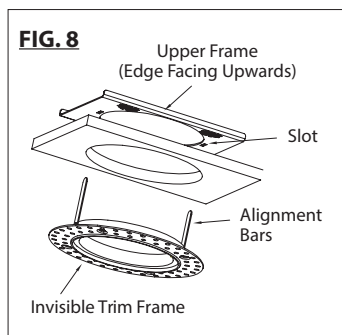
- Guide junction box through the cut hole and secure appropriately using either internal mounting slots or external key hole (See **FIG. 6**).

Round

Square



- Insert upper frame through ceiling opening. Angling maybe required (See **FIG. 7**).



- Raise invisible trim frame to ceiling cut out and insert alignment bars into upper frame alignment slots (See **FIG. 8**).

wacighting.com
Phone (800) 526.2588
Fax (800) 526.2585

Headquarters, East Manufacturing Facility
44 Harbor Park Drive
Port Washington, NY 11050

South East Manufacturing Facility
1600 Distribution Ct
Lithia Springs, GA 30122

Central Manufacturing Facility
1700 South J Elmer Freeway, Ste 100
Cedar Hill, TX 75104

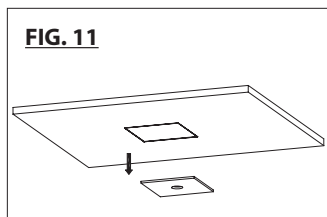
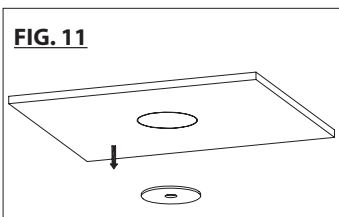
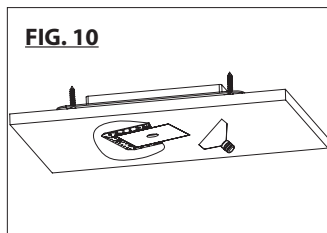
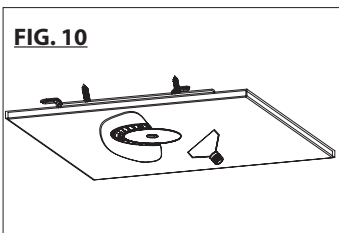
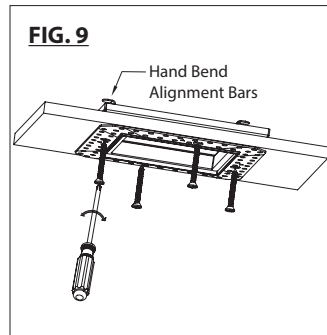
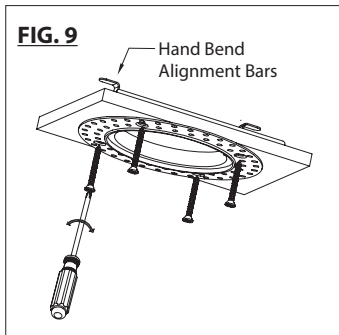
West Manufacturing Facility
1750 S Archibald Ave
Ontario, CA 91761

INSTALLATION INSTRUCTION

Volta 2" Tunable White - Remodel Housing Invisible Trim

R2RRL, R2SRL

WAC®



8. With upper frame and invisible trim frame flush with both ceiling surfaces, hand bend the alignment bars parallel to ceiling (See **FIG. 9**).
9. Insert four provided screws (short screws for up to 2" ceiling and long screws for up to 1" ceiling thickness) through countersink holes on invisible trim frame, through ceiling and into holes in upper frame. Do not over tighten screws (See **FIG. 9**).
10. Insert plaster shield inside trim opening. Apply plaster or spackle over invisible trim frame and sand surface dry for finished look (See **FIG. 10**).
11. Remove the plaster shield when finishing is complete (See **FIG. 11**).
12. Refer to installation instructions for appropriate trim to complete the installation.

wacighting.com

Phone (800) 526.2588

Fax (800) 526.2585

Headquarters, East Manufacturing Facility

44 Harbor Park Drive

Port Washington, NY 11050

South East Manufacturing Facility

1600 Distribution Ct

Lithia Springs, GA 30122

Central Manufacturing Facility

1700 South J Elmer Freeway, Ste 100

Cedar Hill, TX 75104

West Manufacturing Facility

1750 S Archibald Ave

Ontario, CA 91761