

# INSTALLATION INSTRUCTION

## Aether 3.5" Color Tunable LED Downlight

HR-3LED-H18A-CC

WAC LIGHTING  
Responsible Lighting®

### SAFETY INSTRUCTION

IMPORTANT: NEVER attempt any work without shutting off the electricity.

- Read all instructions before installing.
- System is intended for installation by a qualified electrician in accordance with the National Electrical Code and local regulations.
- Place the wall switch in the "OFF" position.
- Go to the main fuse box, or circuit breaker. Unscrew the fuse(s) or switch "OFF" the circuit breaker switch(es) that control the power to the space that you are working on.

### CAUTION:

All parts must be used as indicated in these instructions. Do not substitute any parts, leave parts out, or use any parts that are worn out or broken. Failure to follow this instruction could invalidate the ETL/cETL listing of this fixture.

### AVERTISSEMENT

#### IMPORTANT : COUPEZ L'ÉLECTRICITÉ AVANT TOUTE MANIPULATION.

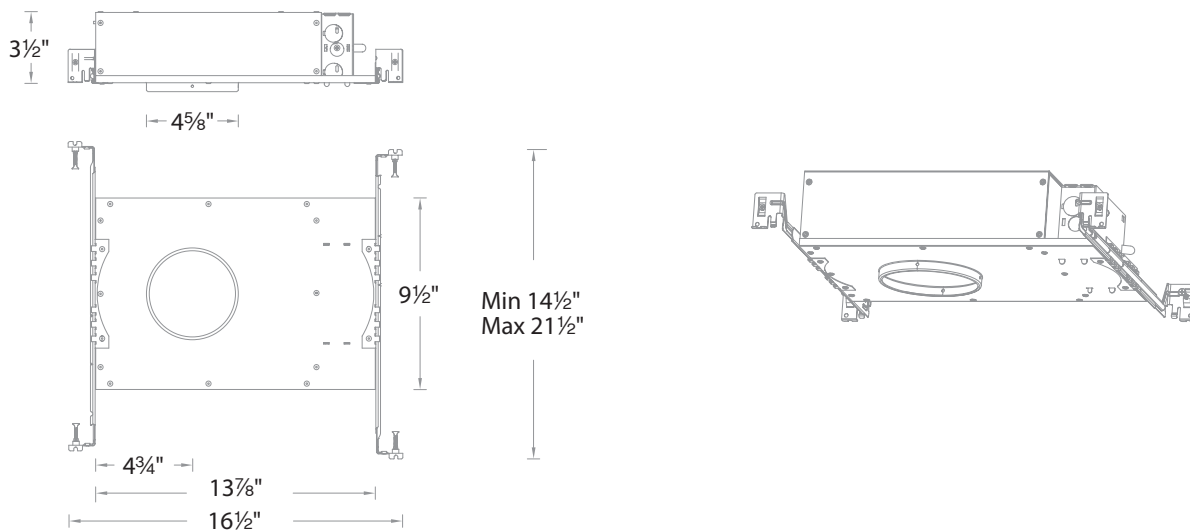
- Lisez toutes les instructions avant d'installer.
- Système est destiné à être installé par un électricien qualifié en conformité avec le code national de l'électricité et les règlements locaux.
- Placez l'interrupteur mural en position d'arrêt (« OFF »).
- Accédez au panneau central de disjoncteurs ou de fusibles de votre demeure et placez l'interrupteur principal en position d'arrêt (« OFF »).

### MISE EN GARDE

Toutes les pièces doivent être utilisées tel qu'il est indiqué dans ces instructions. Ne remplacez pas les pièces, n'en laissez pas de côté et ne les utilisez pas si elles sont usées ou brisées. Le non-respect de ces instructions peut annuler l'homologation ETL/cETL du luminaire.

### OVERVIEW:

Housing is new construction IC, AIRTIGHT. Housing requires a trim for finished look. Check catalog for compatible trims choices



### ELECTRICAL ACCESSORY



Wire Connector  
Qty: 4pcs  
7EAC000253

WAC Lighting  
www.waclighting.com  
Phone (800) 526.2588 • Fax (800) 526.2585

Headquarters/Eastern Distribution Center  
44 Harbor Park Drive • Port Washington, NY 11050  
Phone (516) 515.5000 • Fax (516) 515.5050

Western Distribution Center  
1750 Archibald Ave • Ontario, CA 91761  
Phone (800) 526.2588 • Fax (800) 526.2585

# INSTALLATION INSTRUCTION

## Aether 3.5" Color Tunable LED Downlight

HR-3LED-H18A-CC

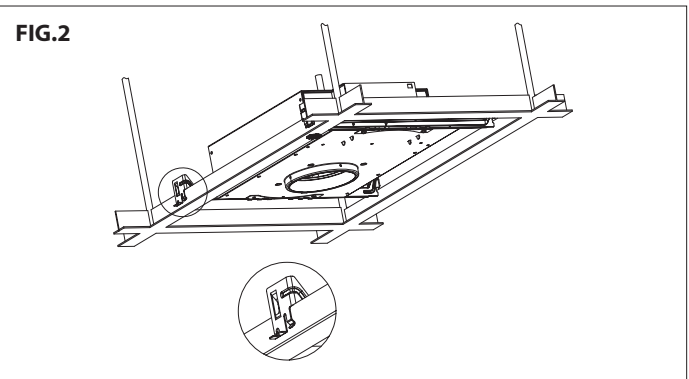
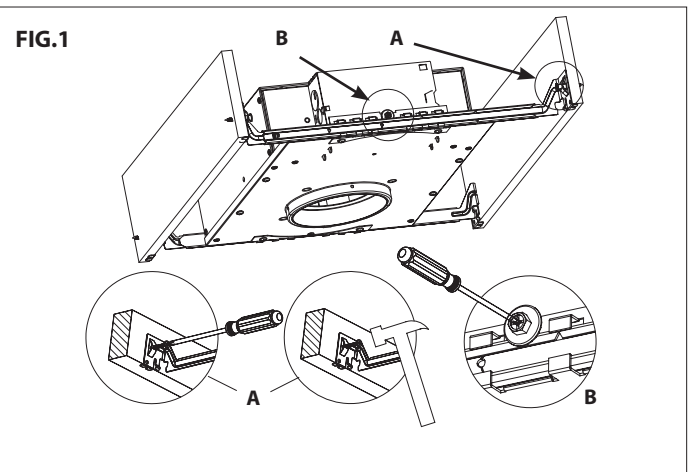
WAC LIGHTING  
Responsible Lighting®

### HOUSING INSTALLATION:

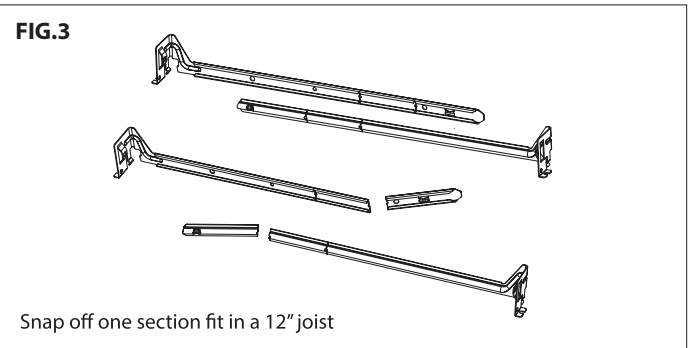
1. Install housing using two hanger bars provided, align the bottom of the hanger bar with the bottom of the joist, secure the "screw-nail" on each end by screw-driver or by hammer (See FIG.1 detail A).

Slide fixture along hanger bar into desired location, use locking screws to secure (See FIG.1 detail B).

For grid installation, hanger bars are supported on grids. (See FIG.2)

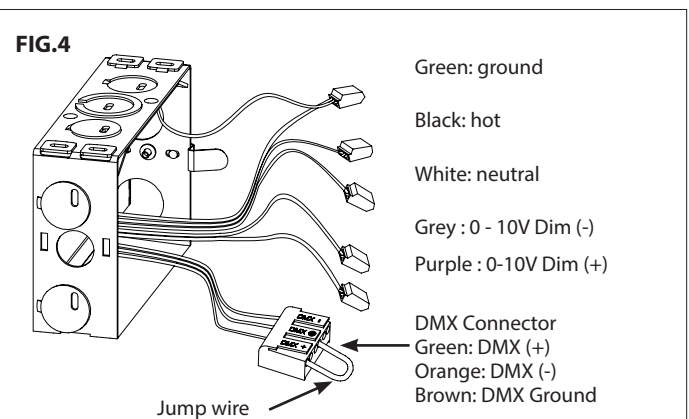


2. To shorten hanger bars to fit in a 12" joist, snap off one section of the hanger bars (See FIG.3).



3. Remove spring latched junction box cover and connect fixture wires to building wires: insert each supply wire into appropriate junction box connector. For line voltage connections, connect the black fixture wire to the HOT building wire, the white fixture wire to NEUTRAL building wire, and green fixture wire to GROUND building wire.

For 0-10V dimming control: Connect the grey fixture wire to the 0-10V DIM (-) building wire, and purple fixture wire to the 0-10V DIM (+) building wire. Recommended maximum wiring of 300ft of 18GA 0-10V communication wiring (See FIG. 4).



WAC Lighting  
www.waclighting.com  
Phone (800) 526.2588 • Fax (800) 526.2585

Headquarters/Eastern Distribution Center  
44 Harbor Park Drive • Port Washington, NY 11050  
Phone (516) 515.5000 • Fax (516) 515.5050

Western Distribution Center  
1750 Archibald Ave • Ontario, CA 91761  
Phone (800) 526.2588 • Fax (800) 526.2585

# INSTALLATION INSTRUCTION

## Aether 3.5" Color Tunable LED Downlight

HR-3LED-H18A-CC

For DMX control: Four DMX-512A channels are used to achieve Dimming (DIM), Color Temperature (CCT), Hue (HUE) and Saturation (SAT) adjustment. Connect the green fixture wire to the DMX (+) building wire, the brown fixture wire to the DMX(GND) building wire, and the orange fixture wire to the DMX(-) building wire.

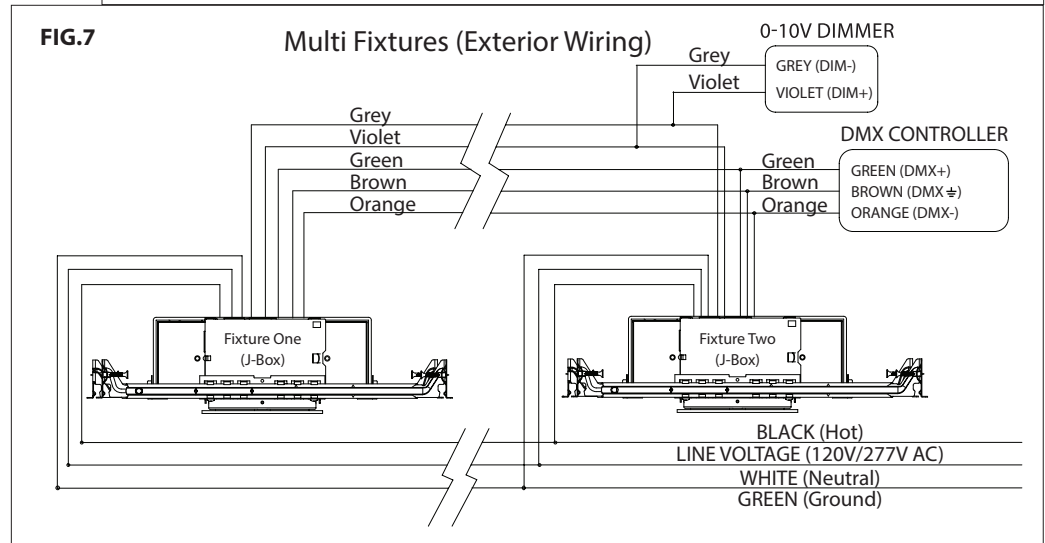
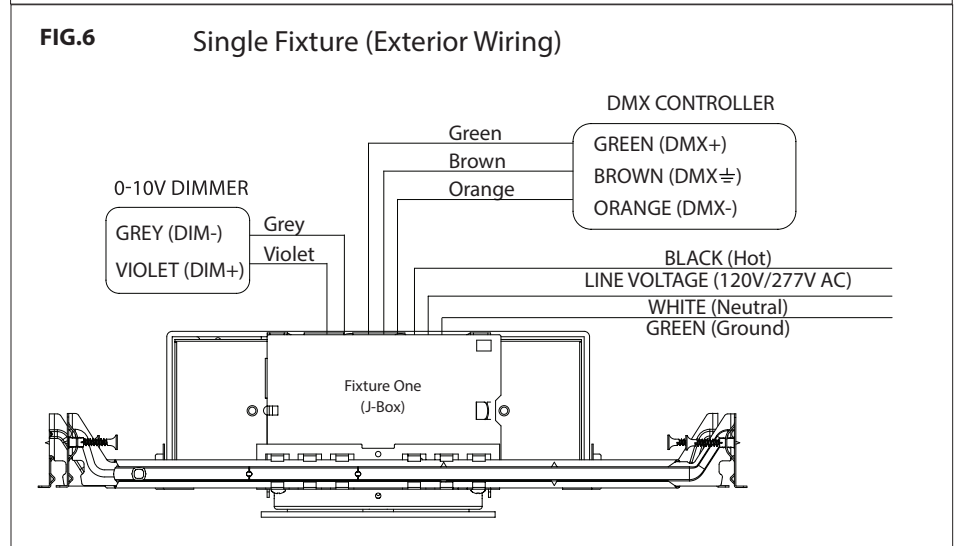
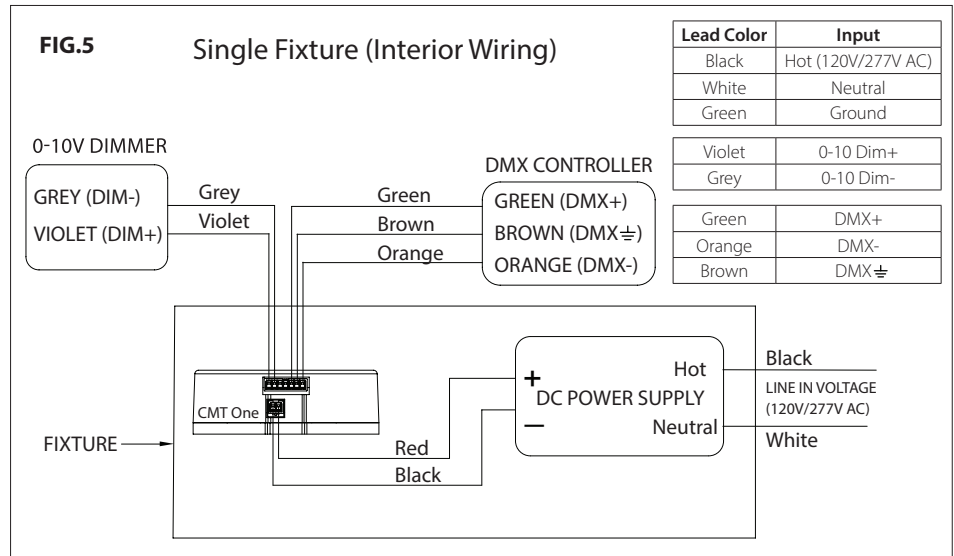
It is recommended to use cable specifically designed for DMX. These cables have an impedance of 120Ω and a low capacitance. For instance: Belden 9841 or 3105a. At the last fixture, the cable to be terminated with a 120Ω resistor between the DMX (+) and DMX (-) pinouts to prevent reflections of the signal. The resistor value of the resistor on the last driver should be kept the same as the resistor of signal wires.

Recommended maximum of 500ft of cabling from controller to last fixture. After 32 unit loads a repeater/booster is recommended.

For the single fixture, do the wiring according to the related wiring diagrams (See **FIG.5 & 6**). For multiple fixtures, do the wiring according to the related wiring diagrams (See **FIG.5 & 7**).

When not using a 0-10V dimmer, make appropriate connections for power and DMX, and leave the dimmer wires individually capped.

Place all wiring and connectors back in junction box and replace the junction box's.



# INSTALLATION INSTRUCTION

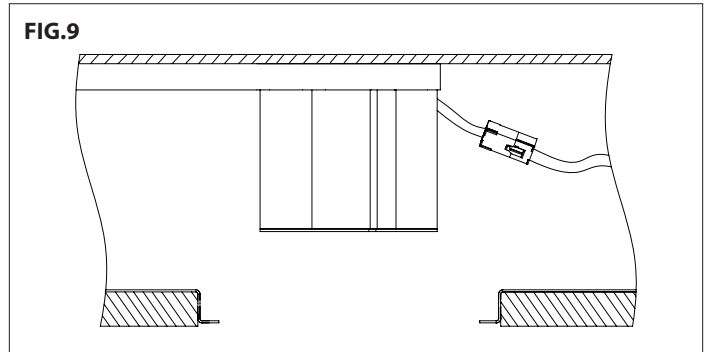
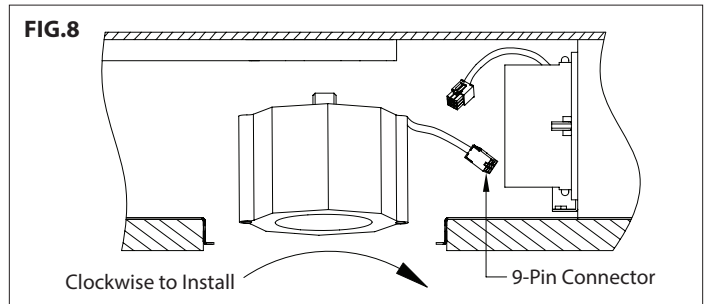
## Aether 3.5" Color Tunable LED Downlight

HR-3LED-H18A-CC

WAC LIGHTING  
Responsible Lighting®

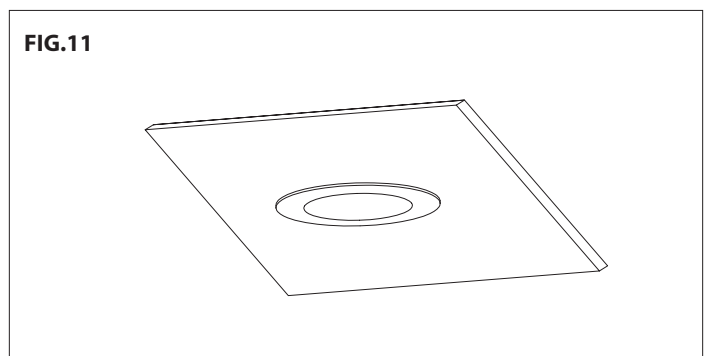
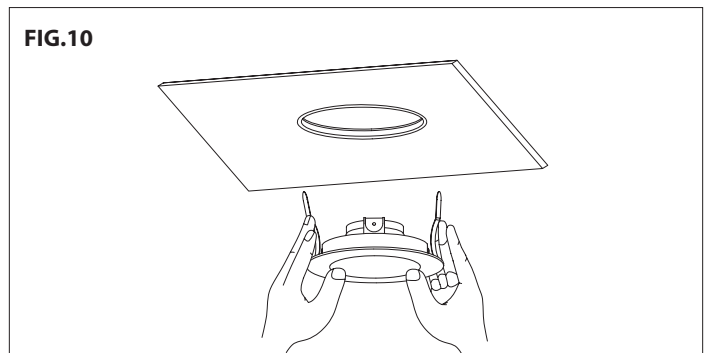
### DOWNLIGHT TRIM INSTALLATION

1. When installing in drywall, cut a hole 4 5/8" in the drywall.  
Note: 1 1/2" inch maximum ceiling thickness.
2. Install light engine into the housing by rotating it clockwise onto stud (See **FIG.8**)  
Connect light engine and housing 9-pin power connectors (See **FIG.9**).



3. Raise the trim to housing, depress trim spring clips and push the trim assembly up until the trim ring is flush to the ceiling (See **FIG.10 & 11**).
4. After completing the trim installation, the fixture(s) may be commissioned for initial use. Commissioning may be completed via DMX-512A RDM compatible control console.

For DMX-512A RDM Commissioning: The RDM compatible control console may be used to select the fixtures DMX personality and reassign DMX channels. The default fixture DMX personality is 1 - Color Tuning (4CH). In this configuration the default DMX channel assignments are CH1: DIM, CH2: CCT, CH3: SAT, and CH4: HUE.



# INSTALLATION INSTRUCTION

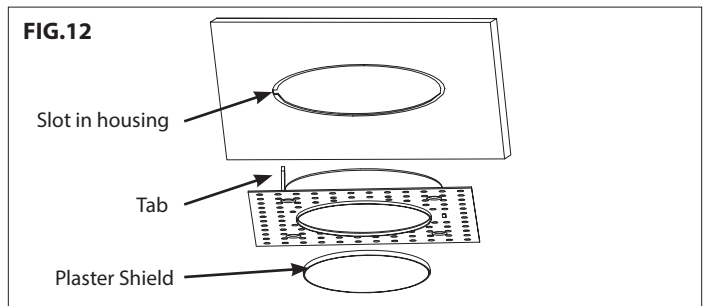
## Aether 3.5" Color Tunable LED Downlight

HR-3LED-H18A-CC

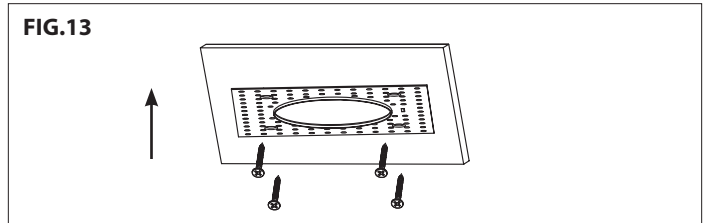
WAC LIGHTING  
Responsible Lighting®

### DOWNLIGHT INVISIBLE TRIM INSTALLATION

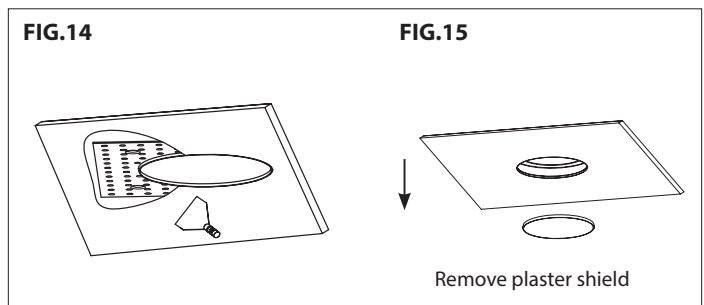
1. When installing in drywall, cut a hole 4 5/8" in the drywall.  
Note: 1 1/2" inch maximum ceiling thickness.
2. Raise the invisible trim frame aligning tab to slot in housing, and put plaster shield inside (See **FIG.12**).
3. Secure the invisible trim frame to the housing, flush up against the ceiling by using the screws supplied (See **FIG.13**).



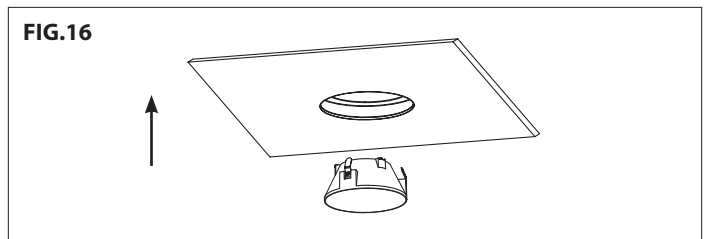
4. Apply plaster or spackle over Invisible frame and sand surface when dry for a finished look (See **FIG.14**).



5. Remove the plaster cover when finishing is completed (See **FIG.15**).



6. Install light engine into the housing by rotating it clockwise onto stud (See **FIG.8**)  
Connect light engine and housing 9-pin power connectors (See **FIG.9**).



7. Raise the invisible trim assembly up to trim frame until the trim ring is flush to the trim frame (See **FIG.16**).
8. After completing the trim installation, the fixture(s) may be commissioned for initial use. Commissioning may be completed via DMX-512A RDM compatible control console.

For DMX-512A RDM Commissioning: The RDM compatible control console may be used to select the fixtures DMX personality and reassign DMX channels. The default fixture DMX personality is 1 - Color Tuning (4CH). In this configuration the default DMX channel assignments are CH1: DIM, CH2: CCT, CH3: SAT, and CH4: HUE.

WAC Lighting  
www.waclighting.com  
Phone (800) 526.2588 • Fax (800) 526.2585

Headquarters/Eastern Distribution Center  
44 Harbor Park Drive • Port Washington, NY 11050  
Phone (516) 515.5000 • Fax (516) 515.5050

Western Distribution Center  
1750 Archibald Ave • Ontario, CA 91761  
Phone (800) 526.2588 • Fax (800) 526.2585

# INSTALLATION INSTRUCTION

## Aether 3.5" Color Tunable LED Downlight

HR-3LED-H18A-CC

WAC LIGHTING  
Responsible Lighting®

### WALL WASH TRIM INSTALLATION

1. When installing in drywall, cut a hole 4 5/8" in the drywall.  
Note: 1 1/2" inch maximum ceiling thickness.
2. Raise trim to ceiling, connect the 9-pin quick connector and secure safety cable to top of trim by using screw provided (as **Fig.17**).
3. Push the trim assembly up inside the housing until the trim ring is flush to the ceiling (as **Fig.18 & 19**).
4. After completing the trim installation, the fixture(s) may be commissioned for initial use. Commissioning may be completed via DMX-512A RDM compatible control console.

For DMX-512A RDM Commissioning: The RDM compatible control console may be used to select the fixtures DMX personality and reassign DMX channels. The default fixture DMX personality is 1 - Color Tuning (4CH). In this configuration the default DMX channel assignments are CH1: DIM, CH2: CCT, CH3: SAT, and CH4: HUE.

FIG.17

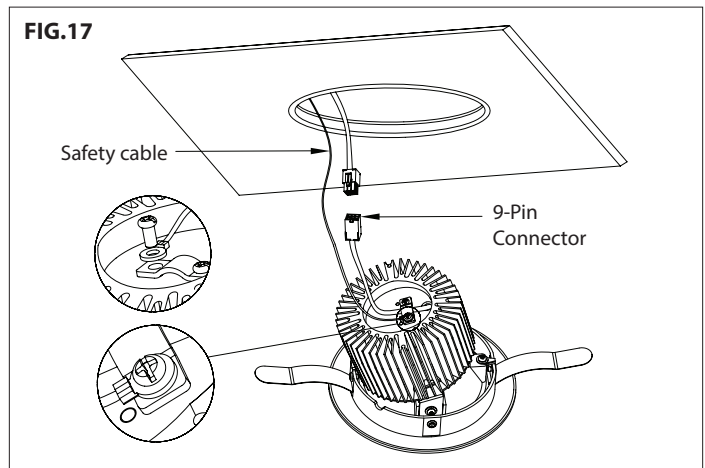


FIG.18

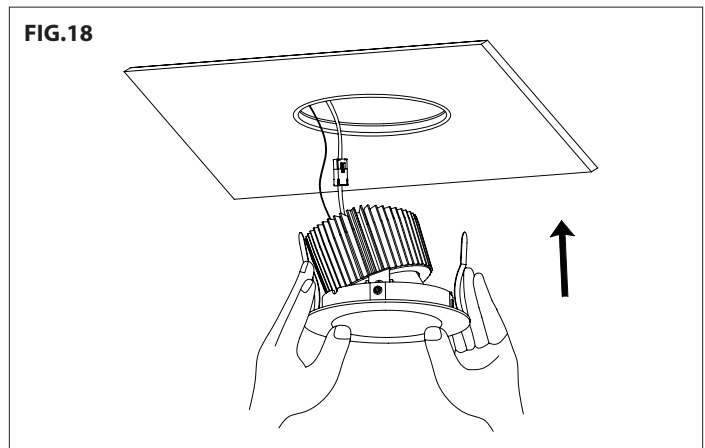
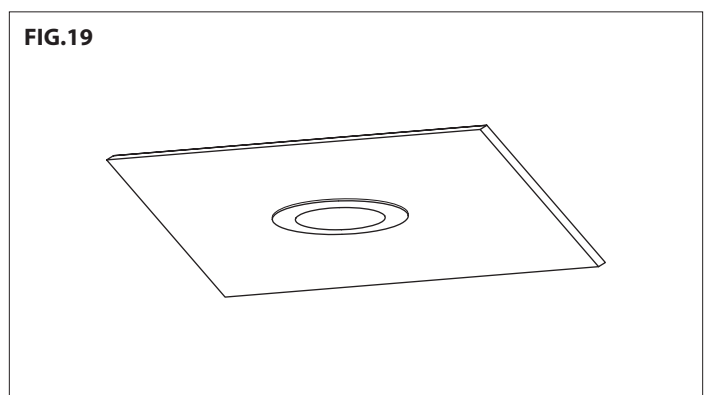


FIG.19



# INSTALLATION INSTRUCTION

## Aether 3.5" Color Tunable LED Downlight

HR-3LED-H18A-CC

WAC LIGHTING  
Responsible Lighting®

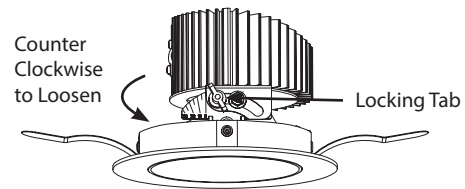
### ADJUSTABLE TRIM INSTALLATION

1. When installing in drywall, cut a hole 4 5/8" in the drywall.  
Note: 1 1/2" inch maximum ceiling thickness.
2. Loosen the locking tab by rotating counter clockwise (See **FIG.20**).  
Adjust to the desire angle (From 0°to 30°), Retighten the locking tab (See **FIG.21**).
3. Raise trim to ceiling, connect the 9-pin power quick connector. Secure safety cable to top of trim by using screw provided (See **FIG.22**).

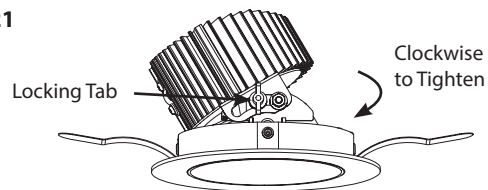
4. Push the trim assembly up inside the housing until the trim ring is flush to the ceiling (See **FIG.23 & 24**).
5. After completing the trim installation, the fixture(s) may be commissioned for initial use. Commissioning may be completed via DMX-512A RDM compatible control console.

For DMX-512A RDM Commissioning: The RDM compatible control console may be used to select the fixtures DMX personality and reassign DMX channels. The default fixture DMX personality is 1 - Color Tuning (4CH). In this configuration the default DMX channel assignments are CH1: DIM, CH2: CCT, CH3: SAT, and CH4: HUE.

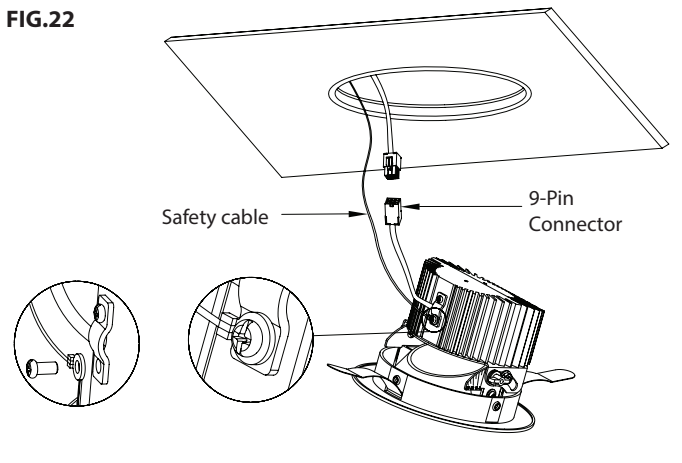
**FIG.20**



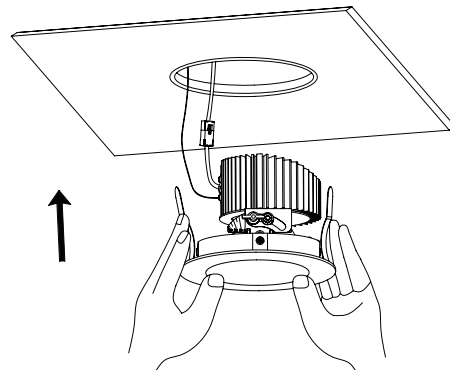
**FIG.21**



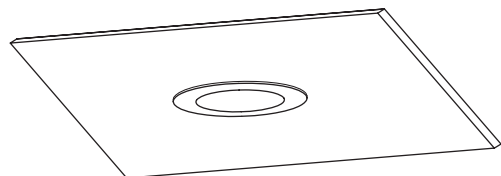
**FIG.22**



**FIG.23**



**FIG.24**



WAC Lighting  
www.waclighting.com  
Phone (800) 526.2588 • Fax (800) 526.2585

Headquarters/Eastern Distribution Center  
44 Harbor Park Drive • Port Washington, NY 11050  
Phone (516) 515.5000 • Fax (516) 515.5050

Western Distribution Center  
1750 Archibald Ave • Ontario, CA 91761  
Phone (800) 526.2588 • Fax (800) 526.2585