

INSTALLATION INSTRUCTION

OCULARC 3.0 DIM-TO-WARM - NEW CONSTRUCTION/REMODEL

R3BRDN-WD, R3BRAN-WD R3BSDN-WD, R3BSAN-WD



SAFETY INSTRUCTION

IMPORTANT: NEVER attempt any work without shutting off the electricity.

- Read all instructions before installing.
- System is intended for installation by a qualified electrician in accordance with the National Electrical Code and local regulations.
- Go to the main fuse box, or circuit breaker. Place the main power switch in the "OFF" position and unscrew the fuse(s) or switch "OFF" the circuit breaker switch(es) that control the power to the fixture or room that you are working on.
- Place the wall switch in the "OFF" position.

AVERTISSEMENT:

IMPORTANT : Coupez l'électricité avant TOUTE manipulation.

- Lisez toutes les instructions avant d'installer.
- Système est destiné à être installé par un électricien qualifié en conformité avec le code national de l'électricité et les règlements locaux.
- Accédez au panneau central de disjoncteurs ou de fusibles de votre demeure et placez l'interrupteur principal en position d'arrêt (« OFF »).
- Placez l'interrupteur mural en position d'arrêt (« OFF »).

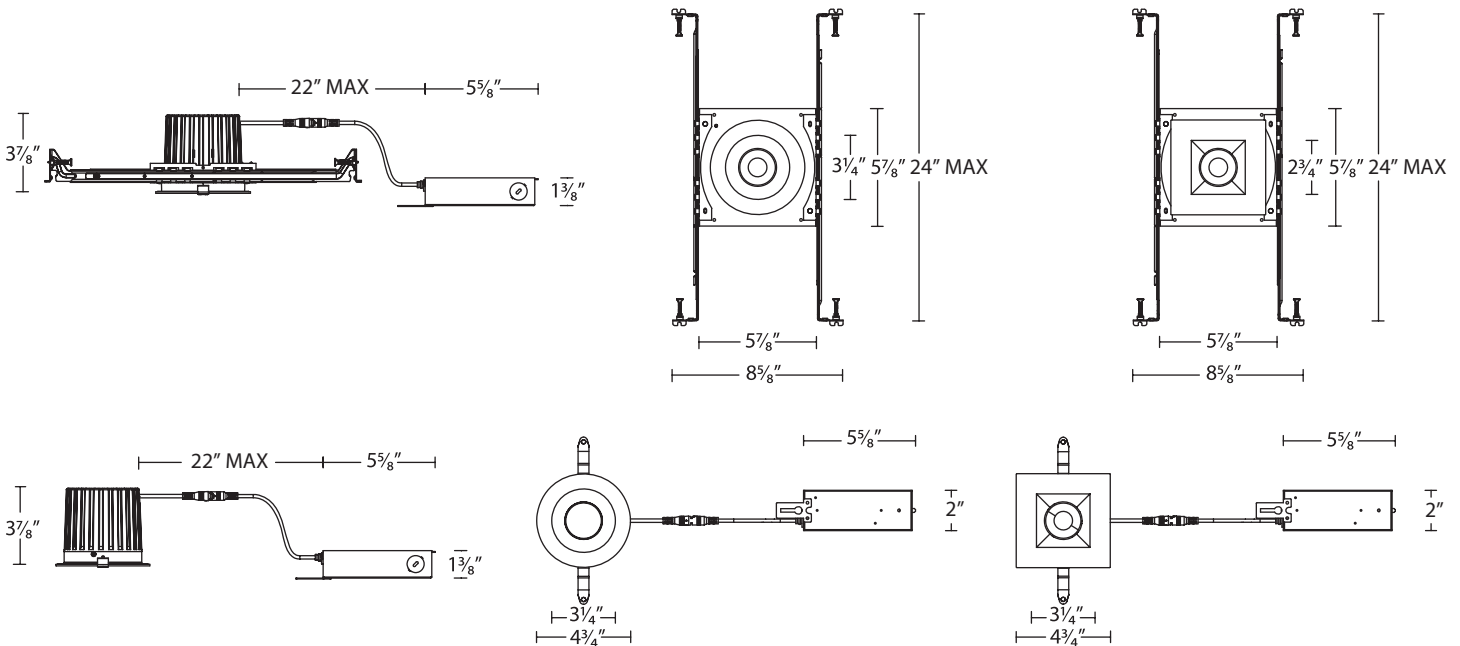
CAUTION:

All parts must be used as indicated in these instructions. Do not substitute any parts, leave parts out, or use any parts that are worn out or broken. Failure to follow could invalidate the ETL/cETL listing of this fixture.

OVERVIEW:

Housing is new construction Airtight IC or remodel Airtight IC (Refer to table below). Housing requires a trim for finished look. Refer to specification sheets for compatible trim options.

OVERALL DIMENSIONS



| SPECIFICATIONS | |
|---------------------|----------------------------|
| Input | 120 - 277V |
| Installation | IC rated Airtight |
| Dimming | ELV / TRIAC / 0-10V |
| CCT | Dim to Warm: 3000K - 1800K |

| INSTALLATION REQUIREMENTS | |
|---------------------------------------|----------------|
| Ceiling Thickness | 1/2" to 1 1/2" |
| Minimum Required Plenum Height | 4" |

| | | | | |
|----------------------|---|-----------------------------------|-------------------------------------|-----------------------------|
| wacighting.com | Headquarters, East Manufacturing Facility | South East Manufacturing Facility | Central Manufacturing Facility | West Manufacturing Facility |
| Phone (800) 526.2588 | 44 Harbor Park Drive | 1600 Distribution Ct | 1700 South J Elmer Freeway, Ste 100 | 1750 S Archibald Ave |
| Fax (800) 526.2585 | Port Washington, NY 11050 | Lithia Springs, GA 30122 | Cedar Hill, TX 75104 | Ontario, CA 91761 |

INSTALLATION INSTRUCTION

OCULARC 3.0 DIM-TO-WARM - NEW CONSTRUCTION/REMODEL

R3BRDN-WD, R3BRAN-WD R3BSDN-WD, R3BSAN-WD



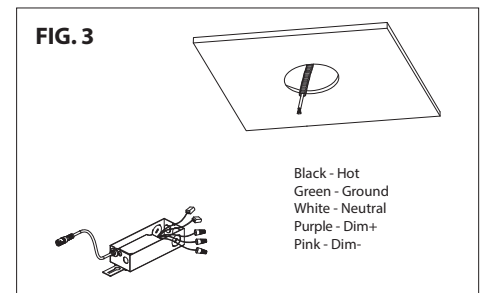
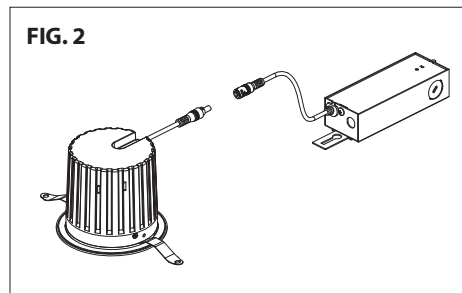
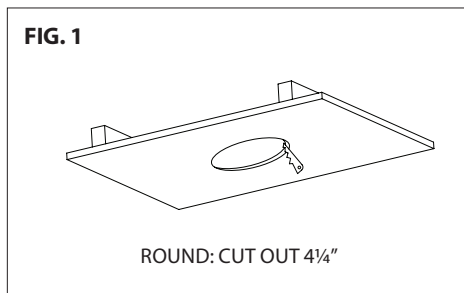
REMODEL INSTALLATION

1. At the point of installation, cut a 4¹/₄" round hole for a round trim or a square trim (See **FIG. 1**).
2. Ceiling thickness range is 1/2" to 1 1/2".
3. Remove fixture from packaging. Use the trim and JBox assembly as a remodel fixture, and discard the mounting frame kit (See **FIG. 2**).
4. Pull building supply wires through ceiling cutout and open fixture junction box cover. Remove desired housing knockout and feed building wires into housing using appropriate connector.
5. Connect fixture wires to building wires (See **FIG. 3**):
Connect each supply wire with appropriate junction box wire connector. This fixture features electronic low voltage (ELV) or TRIAC or 0-10V dimming capabilities.

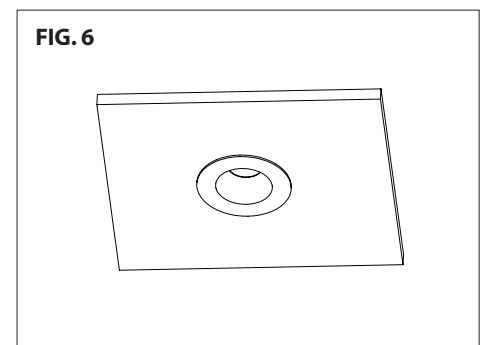
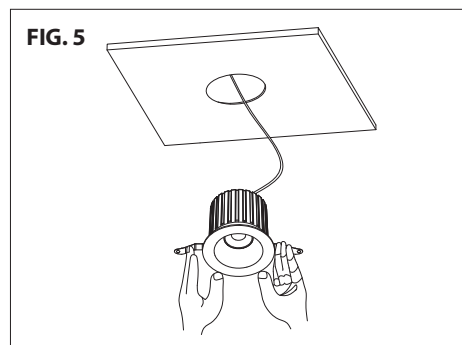
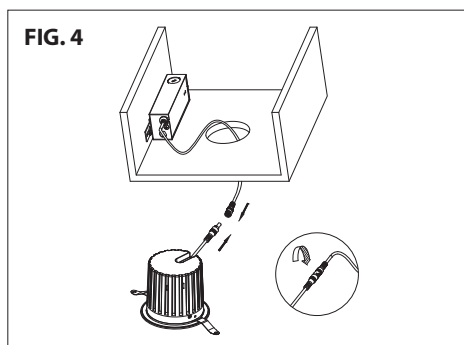
To utilize ELV or TRIAC, wire black (line hot), white (line neutral) and green (ground) in accordance to dimmer specifications.

To utilize 0-10V dimming, wire purple (dim+), pink (dim-), black (line hot), white (line neutral) and green (ground) in accordance to dimmer specifications.

When not using a dimmer, connect black fixture wire to hot, white fixture wire to neutral and green fixture wire to ground. Leave all other wires capped individually.



6. Place all wiring and connectors back in junction box and replace the junction box's cover.
7. Guide junction box through the cut hole, connect the trim assembly to the junction box using the quick connector and secure the junction box appropriately (See **FIG. 4**).
8. Fold trim assembly mounting springs inward and insert trim assembly into ceiling cutout. Be sure once installed, trim assembly is flush and secure (See **FIG. 5 & 6**).



wacighting.com

Phone (800) 526.2588

Fax (800) 526.2585

Headquarters, East Manufacturing Facility

44 Harbor Park Drive

Port Washington, NY 11050

South East Manufacturing Facility

1600 Distribution Ct

Lithia Springs, GA 30122

Central Manufacturing Facility

1700 South J Elmer Freeway, Ste 100

Cedar Hill, TX 75104

West Manufacturing Facility

1750 S Archibald Ave

Ontario, CA 91761

INSTALLATION INSTRUCTION

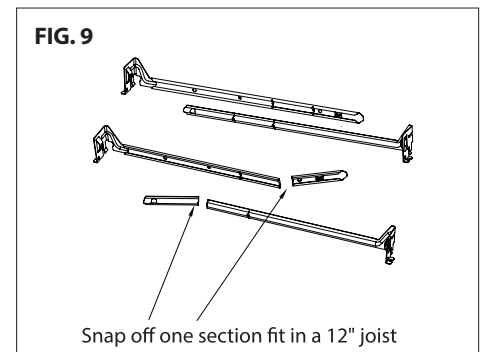
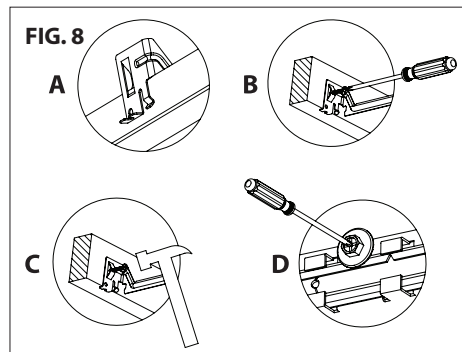
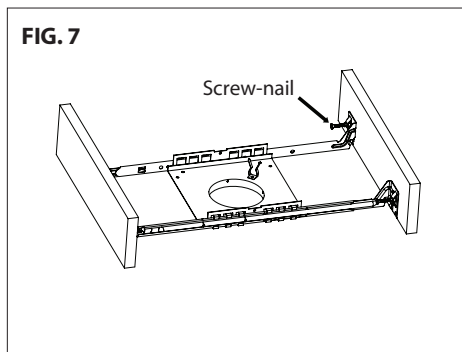
OCULARC 3.0 DIM-TO-WARM - NEW CONSTRUCTION/REMODEL

R3BRDN-WD, R3BRAN-WD R3BSDN-WD, R3BSAN-WD



NEW CONSTRUCTION INSTALLATION

1. Install mounting frame using two hanger bars (24" max). Bars are notched on the ends to fit over "T" bars in suspended ceilings (See **FIG. 8A**).
2. Hanger bars include a captive mounting "screw-nail" for ease of installation (See **FIG. 7**). Align the bottom of the hanger bar with the bottom of the wood joist. Secure the "screw-nail" on each end by screwdriver (See **FIG. 8B**), or by hammer (See **FIG. 8C**).
3. Slide fixture along bar hangers into desired location. Use locking screws to secure (See **FIG. 8D**).
4. To shorten hanger bars to fit in a 12" joist, snap off one section of the hanger bars (See **FIG. 9**).
5. Cut a 31/16" diameter hole in the ceiling at the point of installation and install ceiling (See **FIG. 1**).
6. Pull building supply wires through ceiling cutout and open fixture junction box door. Remove desired housing knockout and feed building wires into housing using appropriate connector.



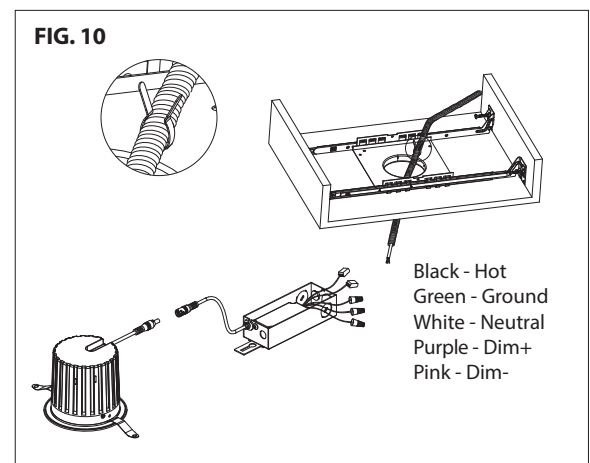
7. Connect fixture wires to building wires (See **FIG. 10**): Connect each supply wire with appropriate junction box connector. This fixture features electronic low voltage (ELV) or TRIAC or 0-10V dimming capabilities.

To utilize ELV or TRIAC, wire black (line hot), white (line neutral) and green (ground) in accordance to dimmer specifications.

To utilize 0-10V dimming, wire purple (dim+), pink (dim-), black (line hot), white (line neutral) and green (ground) in accordance to dimmer specifications.

When not using a dimmer, connect black fixture wire to hot, white fixture wire to neutral and green fixture wire to ground. Leave all other wires capped individually.

8. Place all wiring and connectors back in junction box and replace the junction box's cover.
9. Guide junction box through the ceiling opening, connect the trim assembly to the junction box using the quick connector and secure appropriately.
10. Fold trim assembly mounting springs inward and insert trim assembly into ceiling cutout. Be sure once installed, trim assembly is flush and secure (See **FIG. 5 & 6**).



| | | | | |
|----------------------|---|-----------------------------------|-------------------------------------|-----------------------------|
| wacighting.com | Headquarters, East Manufacturing Facility | South East Manufacturing Facility | Central Manufacturing Facility | West Manufacturing Facility |
| Phone (800) 526.2588 | 44 Harbor Park Drive | 1600 Distribution Ct | 1700 South J Elmer Freeway, Ste 100 | 1750 S Archibald Ave |
| Fax (800) 526.2585 | Port Washington, NY 11050 | Lithia Springs, GA 30122 | Cedar Hill, TX 75104 | Ontario, CA 91761 |

INSTALLATION INSTRUCTION

OCULARC 3.0 DIM-TO-WARM - NEW CONSTRUCTION/REMODEL

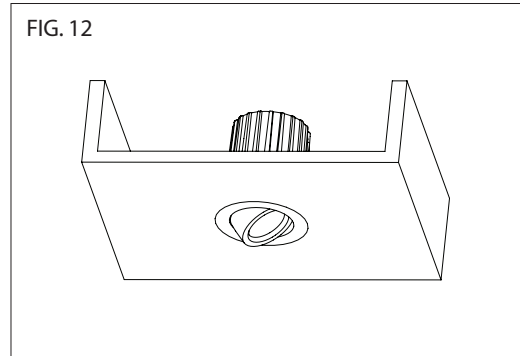
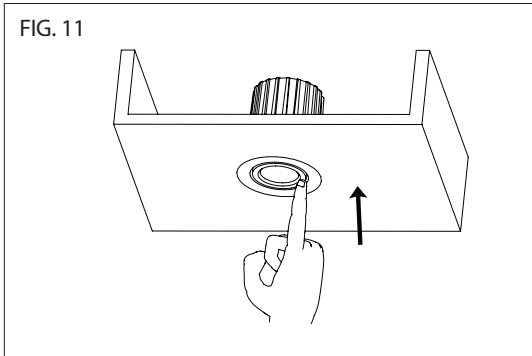
R3BRDN-WD, R3BRAN-WD R3BSDN-WD, R3BSAN-WD



ADJUSTMENT FEATURES

The adjustable trims can be vertically adjusted between 0-35 degrees, and can self-stop in place once the adjustment is done.

Use one finger to push up one side of trim edge to adjust to the desired angle (See **FIG. 11 & 12**).



wacighting.com

Phone (800) 526.2588

Fax (800) 526.2585

Headquarters, East Manufacturing Facility

44 Harbor Park Drive

Port Washington, NY 11050

South East Manufacturing Facility

1600 Distribution Ct

Lithia Springs, GA 30122

Central Manufacturing Facility

1700 South J Elmer Freeway, Ste 100

Cedar Hill, TX 75104

West Manufacturing Facility

1750 S Archibald Ave

Ontario, CA 91761