

INSTALLATION INSTRUCTION

FQ 4" Tunable White - New Construction Housing

R4FBNT-TW, R4FRNL-TW, R4FSNL-TW



WARNING

IMPORTANT: NEVER attempt to do any work without shutting off the electricity.

- Read all instructions before installing.
- System is intended for installation by a qualified electrician in accordance with the National Electrical Code and local regulations.
- Go to the main fuse box, or circuit breaker. Place the main power switch in the "OFF" position and unscrew the fuse(s) or switch "OFF" the circuit breaker switch(es) that control the power to the fixture or room that you are working on.
- Place the wall switch in the "OFF" position.

AVERTISSEMENT

IMPORTANT: Coupez l'électricité avant TOUTE manipulation.

- Lisez toutes les instructions avant d'installer.
- Système est destiné à être installé par un électricien qualifié en conformité avec le code national de l'électricité et les règlements locaux.
- Accédez au panneau central de disjoncteurs ou de fusibles de votre demeure et placez l'interrupteur principal en position d'arrêt (« OFF »).
- Placez l'interrupteur mural en position d'arrêt (« OFF »).

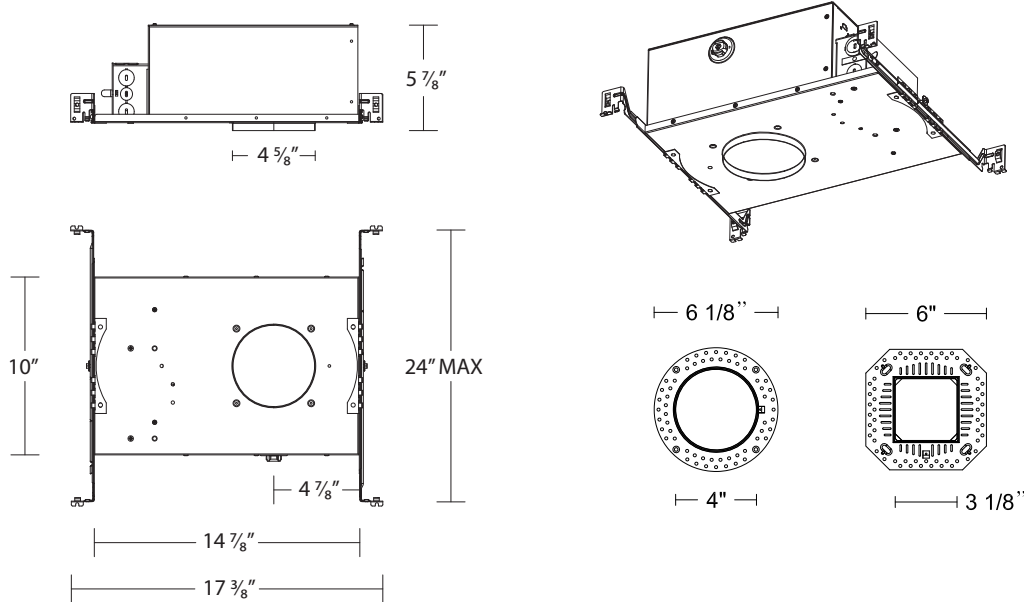
CAUTION

All parts must be used as indicated in these instructions. Do not substitute any parts, leave parts out, or use any parts that are worn out or broken. Failure to follow this instruction could invalidate the ETL/cETL listing of this fixture.

OVERVIEW:

Housing is for IC Airtight new construction applications (Refer to table below). Housing requires a trim for a finished look. Refer to specification sheets for compatible trim options.

OVERALL HOUSING DIMENSION



SPECIFICATIONS	
Input	120-277V, 50/60Hz
Installation	IC rated Airtight
Dimming	MyWAC App and WAC-Mesh WallStation

INSTALLATION REQUIREMENTS	
Ceiling Thickness	1/2" to 1 1/4"
Minimum Required Plenum Height	5 7/8"

wacighting.com	Headquarters, East Manufacturing Facility	South East Manufacturing Facility	Central Manufacturing Facility	West Manufacturing Facility
Phone (800) 526.2588	44 Harbor Park Drive	1600 Distribution Ct	1700 South J Elmer Freeway, Ste 100	1750 S Archibald Ave
Fax (800) 526.2585	Port Washington, NY 11050	Lithia Springs, GA 30122	Cedar Hill, TX 75104	Ontario, CA 91761

INSTALLATION INSTRUCTION

FQ 4" Tunable White - New Construction Housing

R4FBNT-TW, R4FRNL-TW, R4FSNL-TW



NOTE: Cut the zip tie at the bottom of the housing which secures driver during shipping (See **FIG. A**).

TRIM HOUSING INSTALLATION

1. Install housing using two hanger bars (24" max). Bars are notched on the ends to fit over "T" bars in suspended ceilings (See **FIG. 2A**).
2. Hanger bars include a captive mounting "screw-nail" for ease of installation (See **FIG. 1**). Align the bottom of the hanger bar with the bottom of the wood joist. Secure the "screw-nail" on each end by screwdriver (See **FIG. 2B**), or by hammer (See **FIG. 2C**).
3. Slide fixture housing along bar hangers into desired location. Use locking screws to secure (See **FIG. 2D**).
4. To shorten hanger bars to fit in a 12" joist, snap off one section of the hanger bars (See **FIG. 3**).
5. Remove spring latched fixture junction box door and connect fixture wires to building wires (See **FIG. 4**).
6. Place all wiring and connectors back in junction box and replace the junction box's cover.
7. Cut a 4 3/4" diameter hole in the ceiling at the point of installation and install ceiling (See **FIG. 5**).
8. Refer to trim installation instructions for appropriate trims to complete the installation.

FIG. A

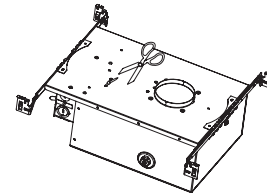


FIG. 1

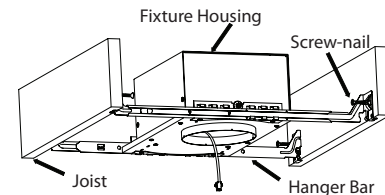


FIG. 2

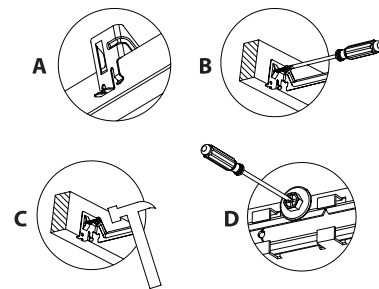
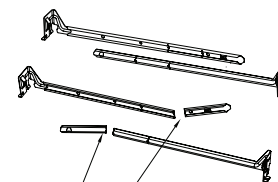
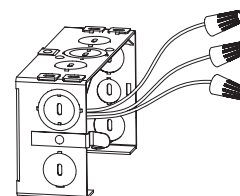


FIG. 3



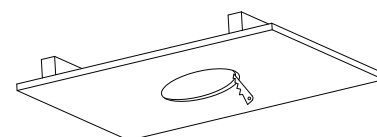
Snap off one section fit in a 12" joist

FIG. 4



Black - Hot
White - Neutral
Green - Ground

FIG. 5



CEILING CUTOUT: 4 3/4" diameter

wacighting.com

Phone (800) 526.2588

Fax (800) 526.2585

Headquarters, East Manufacturing Facility

44 Harbor Park Drive

Port Washington, NY 11050

South East Manufacturing Facility

1600 Distribution Ct

Lithia Springs, GA 30122

Central Manufacturing Facility

1700 South J Elmer Freeway, Ste 100

Cedar Hill, TX 75104

West Manufacturing Facility

1750 S Archibald Ave

Ontario, CA 91761

INSTALLATION INSTRUCTION

FQ 4" Tunable White - New Construction Housing

R4FBNT-TW, R4FRNL-TW, R4FSNL-TW



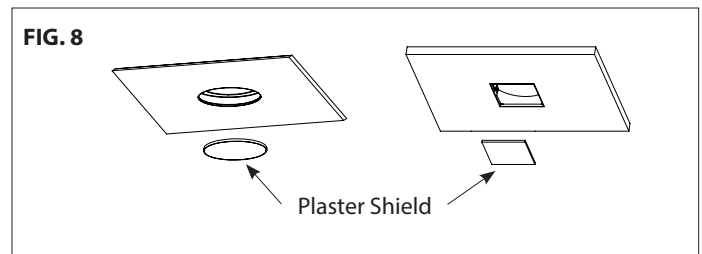
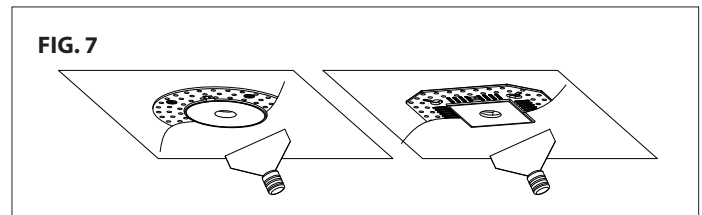
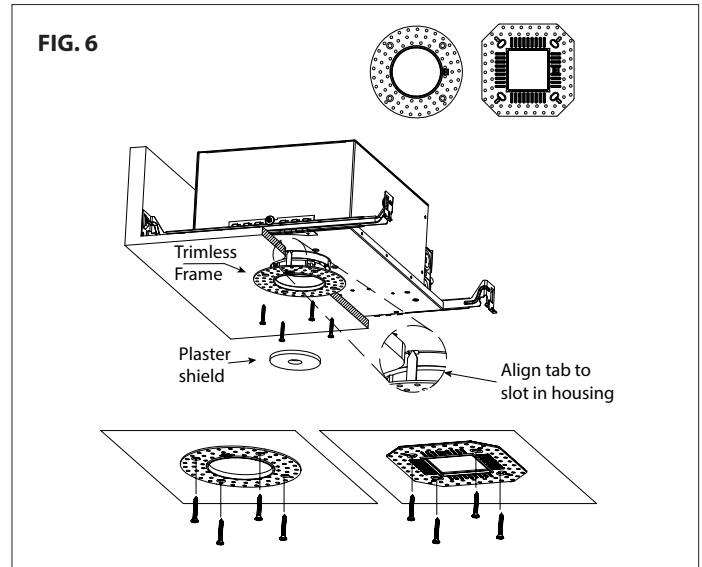
TRIMLESS HOUSING INSTALLATION

Installation procedure applies to both round and square trimless frames. Ceiling cutout is 4 3/4" diameter.

1. Follow steps 1 through 7 of 'Trim Housing Installation' on previous page
2. Raise the trimless frame aligning tab to slot in housing. Secure the trimless frame to the housing, flush up against the ceiling by using the screws supplied. Put plaster shield inside trim opening (See **FIG. 6**).

NOTE: When utilizing the square trimless frame, if position isn't as desired, remove screws, lift the tab and rotate until desired position is acquired.

3. Apply plaster or spackle over trimless frame and sand surface when dry for a finished look (See **FIG. 7**).
4. Remove the plaster shield when finishing is complete (See **FIG. 8**).
5. Refer to trimless trim installation instructions for appropriate trims to complete the installation.



INSTALLATION INSTRUCTION

FQ 4" Tunable White - New Construction Housing

R4FBNT-TW, R4FRNL-TW, R4FSNL-TW

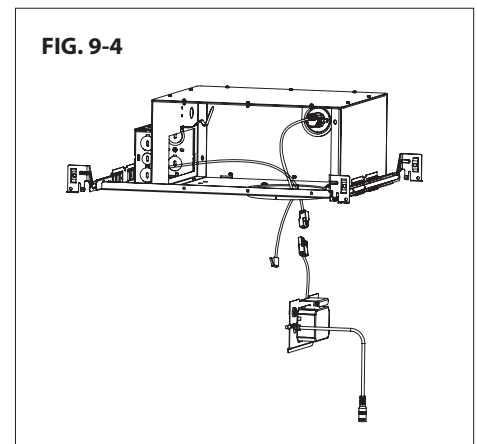
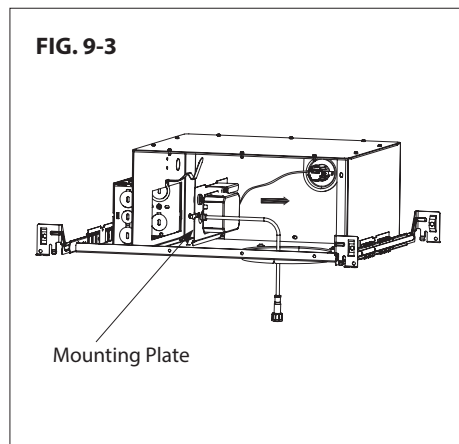
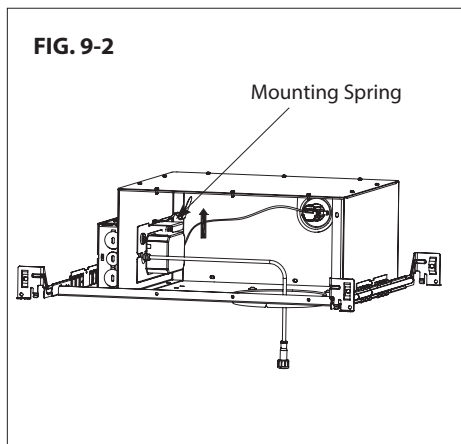
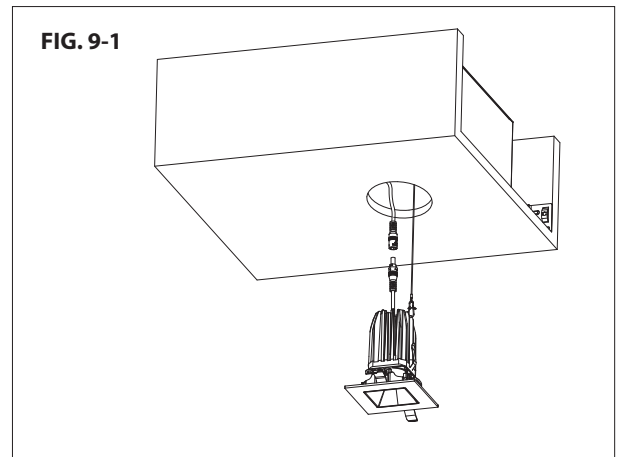


LIGHT ENGINE REPLACEMENT:

Refer to relevant trim instruction for LED replacement.

DRIVER REPLACEMENT:

1. Shut off power to the fixture. Remove trim assembly from fixture and disconnect the power connector and safety cable from the trim assembly (See **FIG. 9-1**).
2. Reach into the housing to access the mounting spring and push up to release the driver (See **FIG. 9-2**).
3. Tilt the driver mounting plate down slightly and lift upward at an angle to disengage from the junction box opening. Remove it through the ceiling opening (See **FIG. 9-3**).
4. Disconnect the connectors from the driver and the replace old driver with the new one (See **FIG. 9-4**). Reverse steps 1 to 4 to install the new driver into the fixture.



INSTALLATION INSTRUCTION

FQ 4" Tunable White - New Construction Housing

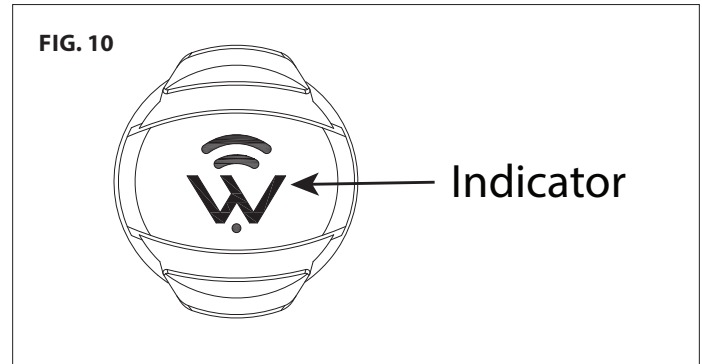
R4FBNT-TW, R4FRNL-TW, R4FSNL-TW



WAC-MESH TAG INDICATOR

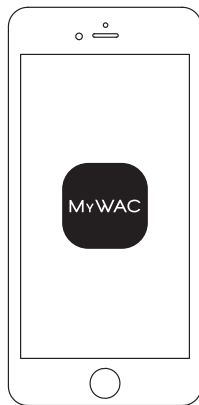
Refer to the table below for the fixture status based on the WAC-Mesh Tag indicator color and flashing pattern (See **FIG. 10**).

FIXTURE STATUS	WAC-MESH TAG INDICATOR ACTION
Paired to WAC-Mesh	GREEN: Solid on up to 2 minutes
Not Paired to WAC-Mesh	RED: Solid red up to 2 minutes
Waiting for Pairing	RED: Single flash up to 10 minutes
Fixture Update in Progress	GREEN: Double flash (duration of update)
Device Error	RED: Double Flash (continuously)



CONFIGURE MYWAC APP:

Configure and control your installation through the MyWAC App. To use the MyWAC App, download it for free from the App Store (iOS) or Google Play (Android).



For additional information and technical assistance, please scan the QR code to visit our customer support page.

