

INSTALLATION INSTRUCTION

LOTOS R - 6" Retrofit

R6DRAK



WARNING

IMPORTANT: NEVER attempt to do any work without shutting off the electricity.

- Read all instructions before installing.
- System is intended for installation by a qualified electrician in accordance with the National Electrical Code and local regulations.
- Go to the main fuse box, or circuit breaker. Place the main power switch in the "OFF" position and unscrew the fuse(s) or switch "OFF" the circuit breaker switch(es) that control the power to the fixture or room that you are working on.
- Place the wall switch in the "OFF" position.

AVERTISSEMENT

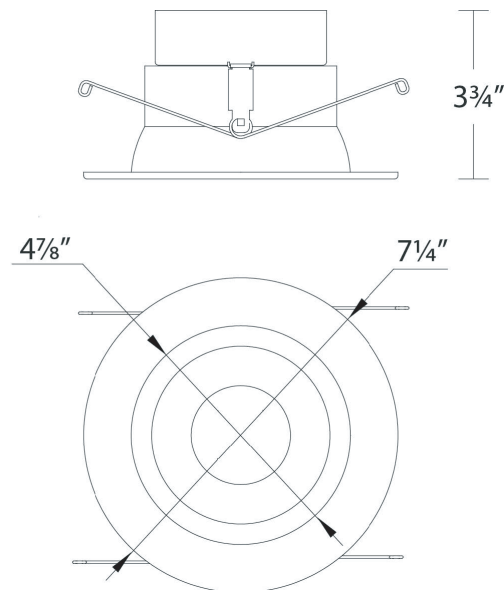
IMPORTANT: Coupez l'électricité avant TOUTE manipulation.

- Lisez toutes les instructions avant d'installer.
- Système est destiné à être installé par un électricien qualifié en conformité avec le code national de l'électricité et les règlements locaux.
- Accédez au panneau central de disjoncteurs ou de fusibles de votre demeure et placez l'interrupteur principal en position d'arrêt (« OFF »).
- Placez l'interrupteur mural en position d'arrêt (« OFF »).

CAUTION

All parts must be used as indicated in these instructions. Do not substitute any parts, leave parts out, or use any parts that are worn out or broken. Failure to follow this instruction could invalidate the ETL/cETL listing of this fixture.

OVERALL DIMENSIONS



HOUSING COMPATIBILITY	
Halo	H7, H7U
Juno	IC22, IC2, TC2

INSTALLATION INSTRUCTION

LOTOS R - 6" Retrofit

R6DRAK

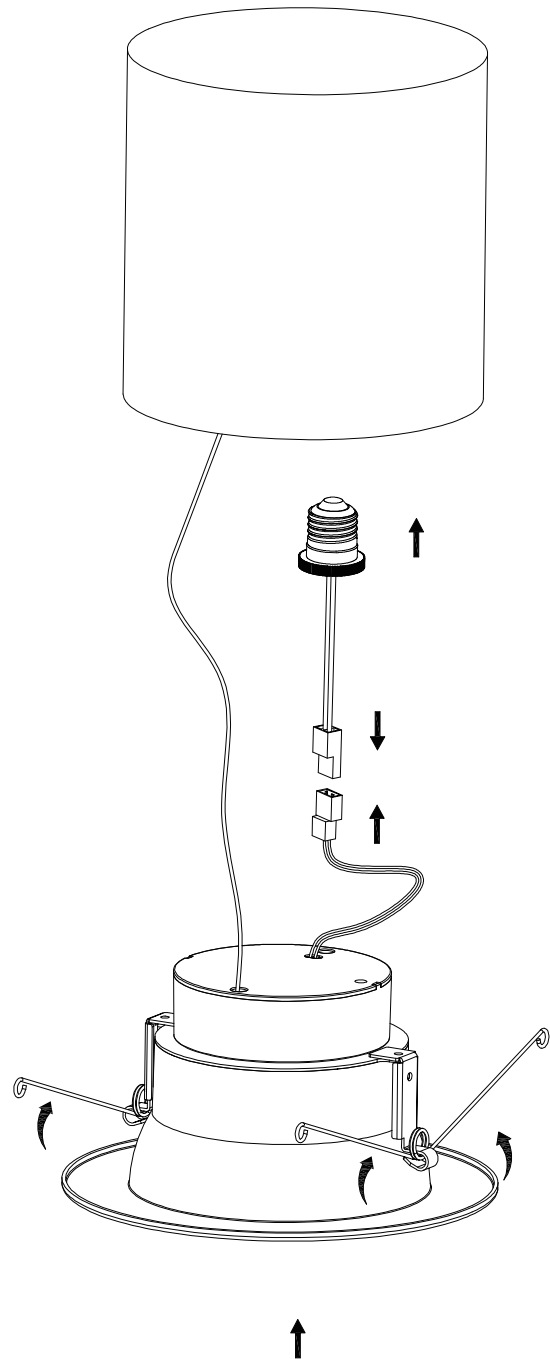
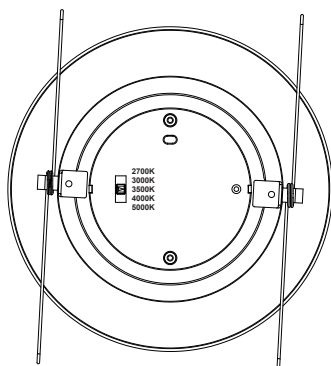


FIXTURE INSTALLATION

1. **Note:** This fixture may work with additional housings outside of the ones listed above.

If your existing 6" recessed housing has a ground connection, connect the ground wire to the ground connection.

2. Connect the E26 socket to the fixture wires using the quick-connect adapters provided.
3. Twist the E26 socket into the socket base in the recessed housing.
4. Set the desired color temperature for the fixture using the switch located on the back of the fixture.
5. Pinch the torsion springs together and insert them into the brackets in the housing.
6. Push the fixture upward until it is flush with the ceiling.



wacighting.com

Phone (800) 526.2588

Fax (800) 526.2585

Headquarters/Eastern Distribution Center

44 Harbor Park Drive

Port Washington, NY 11050

South East Distribution Center

1600 Distribution Ct

Lithia Springs, GA 30122

Central Manufacturing Facility

1700 South J Elmer Freeway

Suite 100

Cedar Hill, TX 75104

Western Distribution Center

1750 Archibald Avenue

Ontario, CA 91761