

# INSTALLATION INSTRUCTIONS

## VENTRIX - Support Loop

S2C-LOOP

VENTRIX  
BY WAC

### CAUTION: TO PREVENT ELECTRICAL SHOCK, ENSURE ELECTRICITY HAS BEEN TURNED OFF AT THE CIRCUIT BREAKER BEFORE BEGINNING.

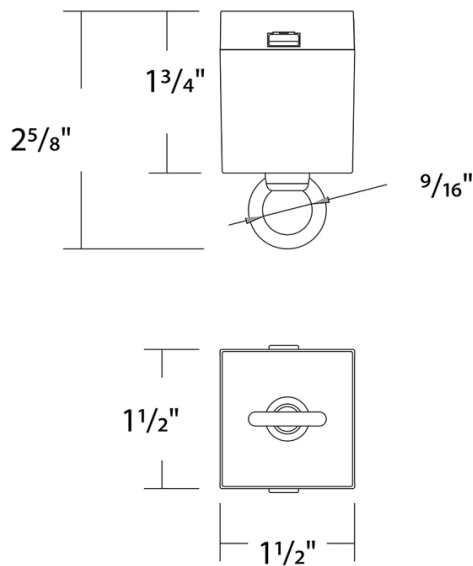
- Read all instructions before installing.
- System is intended for installation by a licensed electrician in accordance with the National Electrical Code (NEC) and local regulations.
- Retain installation instructions for future maintenance reference.
- VENTRIX fixtures and channels feature separate data and power conductor systems. During installation and use, do not short the data or power conductors together by any means or damage may occur.

**WARNING:** All parts must be used as indicated in these instructions. This product is designed for use only with the supplied parts and/or accessories designated for use by WAC Lighting. Substitution of parts or accessories not designated for use with this product by WAC Lighting could result in personal injury or property damage, and will void the warranty. Contact an authorized dealer or the manufacturer if any parts are damaged or missing.

### MISE EN GARDE: POUR ÉVITER TOUT CHOC ÉLECTRIQUE, ASSUREZ-VOUS QUE LE DISJONCTEUR SOIT MIS HORS TENSION AVANT DE COMMENCER.

- Lisez toutes les instructions avant l'installation.
- Le système doit être installé par un électricien licencié conformément au code national de l'électricité (NEC), et également aux règlements locaux.

**ATTENTION:** Toutes les pièces doivent être utilisées comme indiqué dans ces instructions. Ce produit est conçu pour être utilisé seulement avec les pièces et/ou accessoires fournis pour être utilisés avec les produits WAC Lighting. Remplacer des pièces ou accessoires non conçus pour ce produit WAC Lighting pourrait causer des dommages corporels ou matériels et pourrait également causer l'annulation de la garantie. Veuillez contacter un revendeur autorisé ou le fabricant si des pièces manquent ou sont endommagées.



### SUPPORT LOOP OVERVIEW

VENTRIX SUPPORT LOOP is intended for use on WAC Lighting's VENTRIX Channel systems.

MODEL	VENTRIX SYSTEM
S2C-LOOP-BK	48VDC VENTRIX System

SPECIFICATIONS	
Installation:	WAC VENTRIX System
Loading:	Mechanical loop supports up to 15 lbs. Install to ensure structural support and hardware of channel, installation structure, and items being suspended meet or exceed loading requirements.

wacighting.com

Phone (800) 526.2588

Fax (800) 526.2585

Headquarters, East Manufacturing Facility

44 Harbor Park Drive

Port Washington, NY 11050

South East Manufacturing Facility

1600 Distribution Ct

Lithia Springs, GA 30122

Central Manufacturing Facility

1700 South J Elmer Freeway, Ste 100

Cedar Hill, TX 75104

West Manufacturing Facility

1750 S Archibald Ave

Ontario, CA 91761

# INSTALLATION INSTRUCTIONS

## VENTRIX - Support Loop

S2C-LOOP

VENTRIX  
BY WAC

### PREPARATION:

1. Shut off the power at the circuit breaker and ensure adequate room to install the new fixture on the VENTRIX Channel system.
2. Carefully unpack your new fixture and lay out all the parts on a clear area. Be careful not to lose any parts necessary for installation.

### INSTALLATION TO VENTRIX SYSTEM:

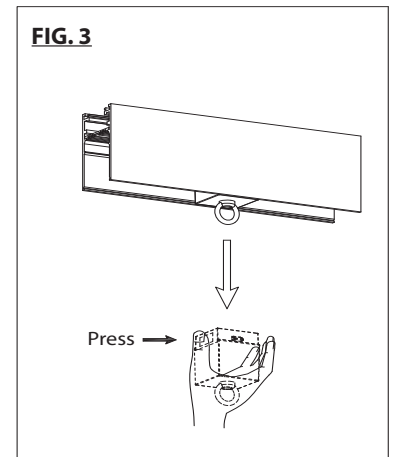
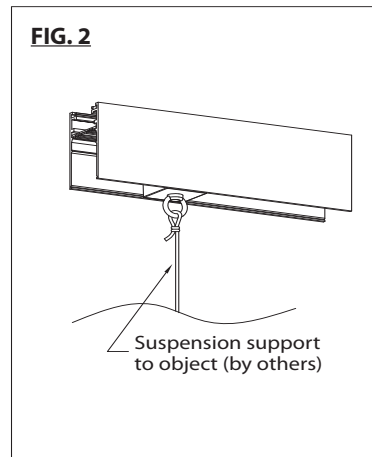
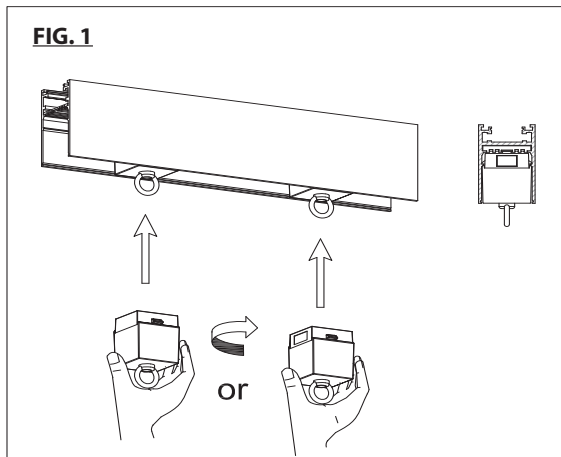
The support loop features a VENTRIX adapter for mechanical connection to the installed VENTRIX channel system.

1. The support loop may be installed in VENTRIX channel in either orientation. (See **FIG. 1**).
2. Insert adapter into channel slot. Ensure the adapter is parallel to the channel during installation. Push the adapter into the channel until fully secured.

**CAUTION:** Prior to installation in channel, clear any debris from channel bus bar and fixture, particularly on magnetic surfaces. Any conductive elements have potential to cause electrical shorting resulting in damage.

3. Mechanical loop supports up to 15 lbs. Installer to ensure structural support and hardware of channel, installation structure, and items being suspended meet or exceed loading requirements. (See **FIG. 2**).
4. If removal or relocation is desired, by hand, engage and press push button on the adapter. While push button is pressed, pull the fixture away from the channel, until it is clear of the channel (See **FIG. 3**).

**Note:** To enable fixture removal from channel, maintain free channel space of 1.5" on each side of adapter to enable access to releasing locking tab.



wacighting.com

Phone (800) 526.2588

Fax (800) 526.2585

Headquarters, East Manufacturing Facility

44 Harbor Park Drive

Port Washington, NY 11050

South East Manufacturing Facility

1600 Distribution Ct

Lithia Springs, GA 30122

Central Manufacturing Facility

1700 South J Elmer Freeway, Ste 100

Cedar Hill, TX 75104

West Manufacturing Facility

1750 S Archibald Ave

Ontario, CA 91761