

# INSTALLATION INSTRUCTION

## LED Step and Wall Lights - 120V/277V

# WAC LIGHTING®

WL-LED110, 120, 130, 140, 210, 220

### WARNING

**IMPORTANT: NEVER attempt to do any work without shutting off the electricity.**

1. Read all instructions before installing.
2. System is intended for installation by a qualified electrician in accordance with the National Electrical Code and local regulations.
3. Place the wall switch in the "OFF" position.
4. Go to the main fuse box, or circuit breaker. Unscrew the fuse(s) or switch "OFF" the circuit breaker switch(es) that control the power to the space that you are working on.

### CAUTION

- All parts must be used as indicated in these instructions. Do not substitute any parts, leave parts out, or use any parts that are worn out or broken. Failure to follow this instruction could invalidate the ETL/CETL listing of this fixture.

CAUTION When handling the fixture, do not apply pressure to the LEDs. Hold the fixture by the base only.

### AVERTISSEMENT

**IMPORTANT :** Coupez l'électricité avant TOUTE manipulation.

- Lisez toutes les instructions avant d'installer.
- Système est destiné à être installé par un électricien qualifié en conformité avec le code national de l'électricité et les règlements locaux.
- Placez l'interrupteur mural en position d'arrêt (« OFF »).
- Toujours mettre le fusible ou le disjoncteur en position arrêt dans la pièce ou des travaux électriques sont prévus

### MISE EN GARDE

- Toutes les pièces doivent être utilisées tel qu'il est indiqué dans ces instructions. Ne remplacez pas les pièces, n'en laissez pas de côté et ne les utilisez pas si elles sont usées ou brisées. Le non-respect de ces instructions peut annuler l'homologation ETL/cETL du luminaire.

### ADVERTENCIA

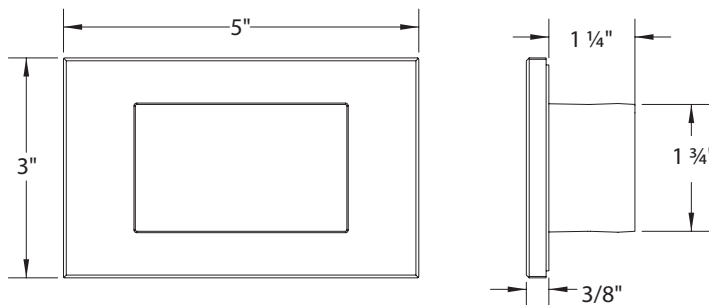
**IMPORTANTE:** NUNCA intente hacer trabajos sin desconectar el suministro eléctrico.

- Lea y comprenda todas las instrucciones e ilustraciones por completo antes de proceder con el ensamblaje e instalación de esta lámpara.
- Sistema está diseñado para ser instalado por un electricista calificado, de acuerdo con el código eléctrico nacional y las normas locales.
- Coloque el interruptor de la pared en la posición "OFF" (APAGADO).
- Diríjase a la caja de fusibles o a la caja del interruptor de circuito principal en su hogar. Coloque el interruptor de alimentación principal en la posición "OFF" (APAGADO).

### PRECAUCIÓN

- Todas las piezas deben usarse como lo indican estas instrucciones. No reemplace las piezas, no omita piezas durante la instalación ni utilice piezas gastadas o rotas. El incumplimiento de esta indicación podría invalidar la calificación ETL/cETL esta lámpara.

### OVERALL DIMENSIONS:



WL-LED130 used as reference

### HARDWARE



Junction Box Mounting Screw  
7MPF0320S1  
Qty: 2 pcs  
1/8" - 40, \* 3/4"  
Stainless Steel



Wire Nut  
7EAC000253  
Qty: 3 pcs

wacighting.com

Phone (800) 526.2588

Fax (800) 526.2585

Headquarters, East Manufacturing Facility

44 Harbor Park Drive

Port Washington, NY 11050

South East Manufacturing Facility

1600 Distribution Ct

Lithia Springs, GA 30122

Central Manufacturing Facility

1700 South J Elmer Freeway, Ste 100

Cedar Hill, TX 75104

West Manufacturing Facility

1750 S Archibald Ave

Ontario, CA 91761

# INSTALLATION INSTRUCTION

## LED Step and Wall Lights - 120V/277V

WL-LED110, 120, 130, 140, 210, 220

# WAC LIGHTING®

### INSTALLATION INSTRUCTIONS:

**JUNCTION BOX:** 2" x 4" boxes to have minimum inside dimensions of 3"H x 2"W x 2"D in order to accommodate fixtures.

**Note:** Actual depth of box to be determined in accordance with the NEC and local ordinances. Indoor or outdoor frame mounted junction box: Raco 2" x4" (16.5 cu. In) or equivalent recommended. Outdoor surface mounted junction box: Red Dot deep weatherproof box Model S103E or equiv. recommended. Mortar or poured concrete installation: Use appropriate junction box suitable for that particular application

**NOTE: DETERMINE JUNCTION BOX AND STEP LIGHT ORIENTATION (VERTICAL/HORIZONTAL) PRIOR TO INSTALLATION. HORIZONTAL INSTALLATION SHOWN BELOW.**

#### STEP 1:

- Install 2" x 4" junction box, and ensure it is water-tight for outdoor use.

#### STEP 2:

- Connect the fixture wires to the junction box wires using the provided wire nuts as follows:
  - Black fixture wire to black (Hot) Junction Box wire
  - White fixture wire to white (Neutral) Junction Box wire
  - Green fixture wire to Ground
- Place all wiring and connectors back in the junction box

**NOTE:** For outdoor installation, it is required that the installer run a bead of outdoor-rated silicone caulk (provided by others) between gasket or back of fixture and mounting surface to prevent seepage of water into fixture.

#### STEP 3:

- Use the provided junction box mounting screws to install fixture onto the junction box.

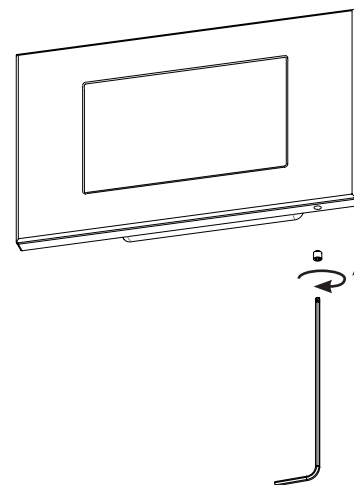
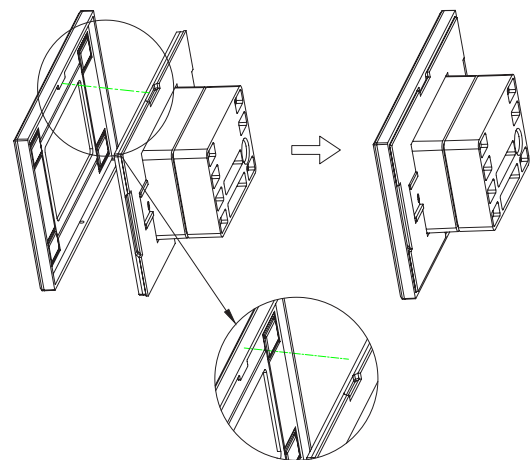
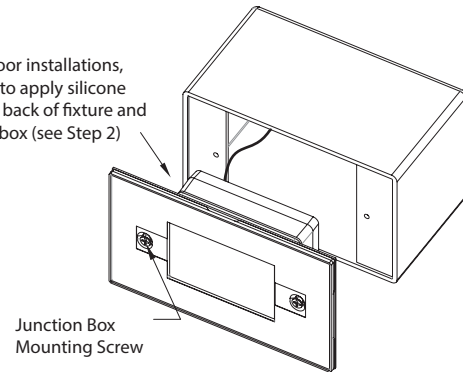
#### STEP 4:

- Hook the cover plate onto the LED light engine.
- Push the cover plate towards the light engine until the cover magnetically secures to the installation.

#### For Anti-theft installation:

Lock the cover plate onto the LED light engine using the provided set screw and hex key.

For outdoor installations, required to apply silicone between back of fixture and junction box (see Step 2)



WL-LED130 used as reference

wacighting.com

Phone (800) 526.2588

Fax (800) 526.2585

Headquarters, East Manufacturing Facility

44 Harbor Park Drive

Port Washington, NY 11050

South East Manufacturing Facility

1600 Distribution Ct

Lithia Springs, GA 30122

Central Manufacturing Facility

1700 South J Elmer Freeway, Ste 100

Cedar Hill, TX 75104

West Manufacturing Facility

1750 S Archibald Ave

Ontario, CA 91761