

INSTALLATION INSTRUCTION

931 –LED BATH

WS-93120/WS-93127

dweLED

CAUTION: TO PREVENT ELECTRICAL SHOCK, ENSURE ELECTRICITY HAS BEEN TURNED OFF AT THE CIRCUIT BREAKER BEFORE BEGINNING.

- Read all instructions before installing.
- System is intended for installation by a licensed electrician in accordance with the National Electrical Code (NEC) and local regulations.
- When handling the fixture, do not apply pressure to the LEDs. Hold the fixture by the base only.
- Retain installation instructions for future maintenance reference.

WARNING: All parts must be used as indicated in these instructions. This product is designed for use only with the supplied parts and/or accessories designated for use by dweLED. Substitution of parts or accessories not designated for use with this product by dweLED could result in personal injury or property damage, and will void the warranty. Contact an authorized dealer or the manufacturer if any parts are damaged or missing.

MAINTENANCE NOTE: Coastal conditions may cause mineral and residue build-up on the fixture. We recommend that customers in coastal areas clean all external surfaces of the fixture once every two weeks with a wet cloth.

MISE EN GARDE: Pour éviter tout choc électrique, assurez-vous que le disjoncteur soit mis hors tension avant de commencer.

- Lisez toutes les instructions avant l'installation.
- Le système doit être installé par un électricien licencié conformément au code national de l'électricité (NEC), et également aux règlements locaux.
- Lors de la manipulation du luminaire, n'appuyez pas sur les LED. Tenez-le uniquement par la base.

ATTENTION: Toutes les pièces doivent être utilisées comme indiqué dans ces instructions. Ce produit est conçu pour être utilisé seulement avec les pièces et/ou accessoires fournis pour être utilisés avec les produits dweLED. Remplacer des pièces ou accessoires non conçus pour ce produit dweLED pourrait causer des dommages corporels ou matériels et pourrait également causer l'annulation de la garantie. Veuillez contacter un revendeur autorisé ou le fabricant si des pièces manquent ou sont endommagées.

NOTE D'ENTRETIEN: Les conditions côtières peut causer une accumulation de minéraux et de résidus sur le luminaire. Nous recommandons aux clients qui résident dans les zones côtières de nettoyer toutes les surfaces externes du luminaire une fois toutes les deux semaines avec un chiffon humide.

HARDWARE

A



Wire Connector
Qty: 3pcs+1 Extra

B



Mounting Screw
Qty: 1 Extra

C



Conversion plate
QTY:1Extra

D



Mounting Ring
QTY:1Extra

E



Plastic Anchor
Qty: 2pcs+1 Extra

F



Wood Screw
Qty: 2pcs+1 Extra

G



Mounting Screw
Qty:1 Extra

H



Bracket
Qty:2 Extra

dweLED.com
Phone (800) 526.2588
Fax (800) 526.2585

Headquarters/Eastern Distribution Center
44 Harbor Park Drive
Port Washington, NY 11050

Central Distribution Center
1600 Distribution Ct
Lithia Springs, GA 30122

Western Distribution Center
1750 Archibald Avenue
Ontario, CA 91760



Fig. 1 MOUNT ON SWITCH BOX

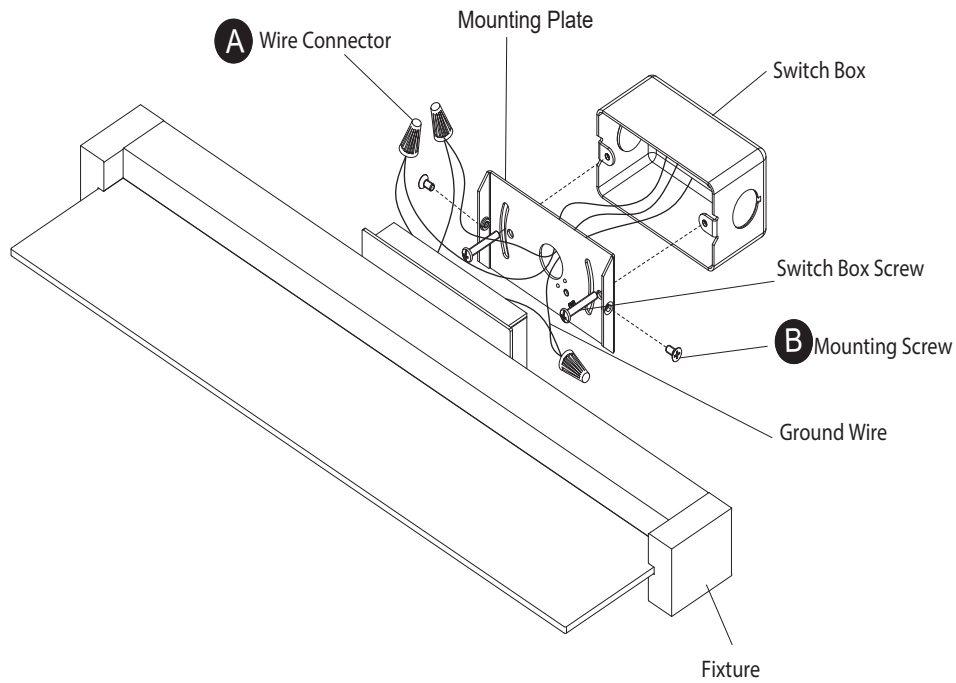
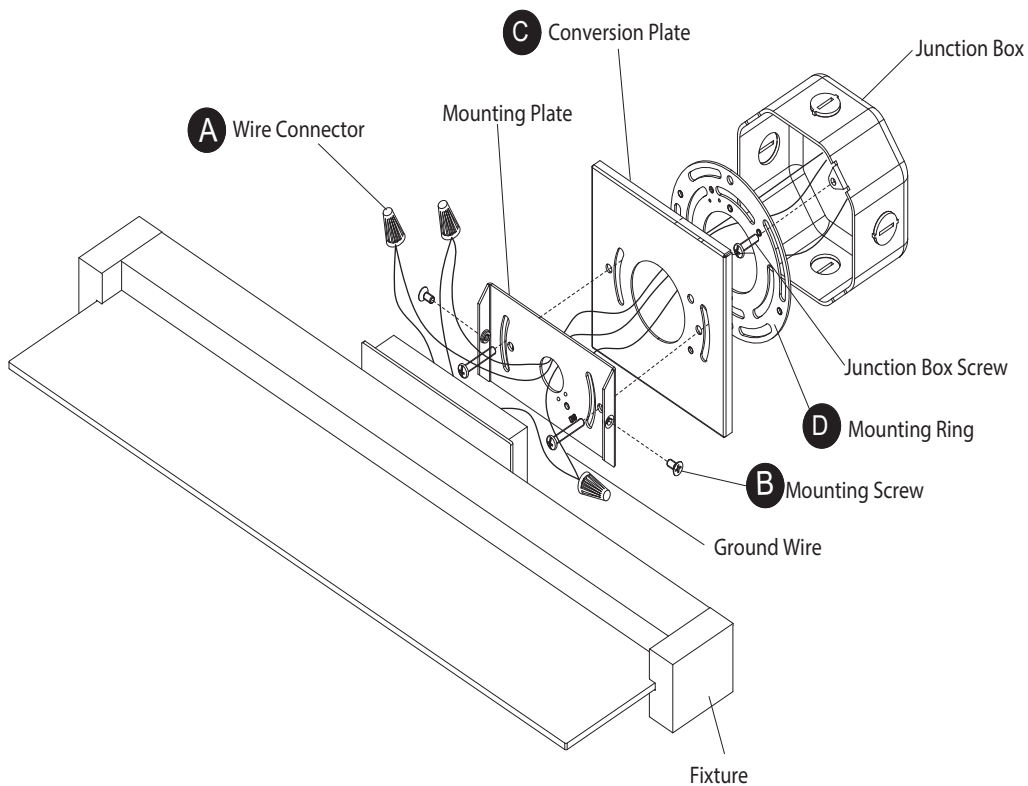


Fig. 2 MOUNT ON JUNCTION BOX



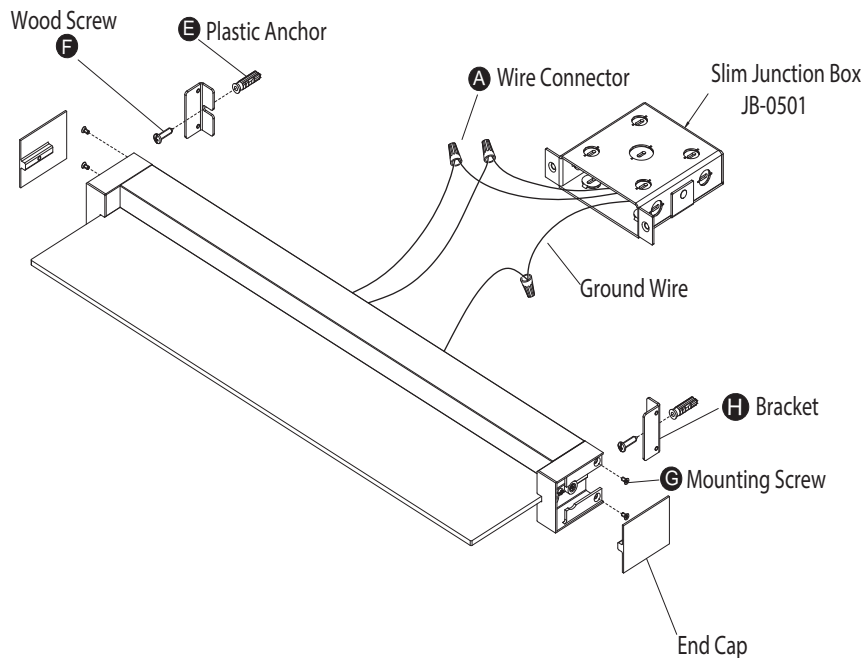
INSTALLATION INSTRUCTION

931 –LED BATH

WS-93120/WS-93127

dweLED

Fig. 3 MOUNT ON SLIM JUNCTION BOX



PREPARATION

1. Shut off the power at the circuit breaker and remove existing fixture, including the crossbar.
2. Carefully unpack your new fixture and lay out all the parts on a clear area. Be careful not to lose any small parts necessary for installation.

INSTALLATION

MOUNT ON 2"X4" SWITCH BOX (Fig. 1)

3. Remove the mounting screw (B) from the fixture.
4. Connect the input wire to switch box wires as shown in Fig. 4, making sure that all wire connectors (A) are secured. If your outlet box has a green or bare copper ground wire, connect the fixture's ground wire to it. Otherwise, connect the fixture's ground wire directly to the back plate using the GND screw provided. After wires are connected, tuck them carefully inside the switch box.
5. Secure the mounting plate to the switch box using the switch box screw. The side of the mounting plate marked "GND" must face out.
6. Place the fixture over the mounting plate, and secure it with mounting screw (B).

MOUNT ON 4" x 4" JUNCTION BOX (Fig. 2)

3. Remove the mounting screw (B) from the fixture.
4. Connect the input wire to junction box wires as shown in Fig. 4, making sure that all wire connectors (A) are secured. If your outlet box has a green or bare copper ground wire, connect the fixture's ground wire to it. Otherwise, connect the fixture's ground wire directly to the back plate using the GND screw provided. After wires are connected, tuck them carefully inside the junction box.
5. Secure the mounting ring to the junction box using the junction box screw. Make sure the two holes (Spacing 2-3/4") are horizontal as shown in Fig. 2. The side of the mounting plate marked "GND" must face out.
6. Secure the backplate and conversion plate (C) to the mounting ring (D) with assembly screw
7. Place the fixture over the backplate, and secure it with mounting screw (B).

MOUNT ON THE SLIM JUNCTION BOX (Fig. 3)

3. Replace or install the slim junction as foundation to enclose all the wiring per code. Use the two wood screws (F) provided to secure the slim junction box on wall properly. Note: the junction box must be recessed about 1/8" into the surface of your wall.
4. Remove the screw from canopy and remove canopy.
5. Using Fig.6 (installation location) as a reference, drill a hole to the left and right of the access hole and insert the plastic anchor (E). Remove the end cover from the fixture, loosen the mounting screw (G), and remove the bracket. Fix the bracket to the wall with the wood screw (F).

dweLED.com
Phone (800) 526.2588
Fax (800) 526.2585

Headquarters/Eastern Distribution Center
44 Harbor Park Drive
Port Washington, NY 11050

Central Distribution Center
1600 Distribution Ct
Lithia Springs, GA 30122

Western Distribution Center
1750 Archibald Avenue
Ontario, CA 91760



INSTALLATION INSTRUCTION

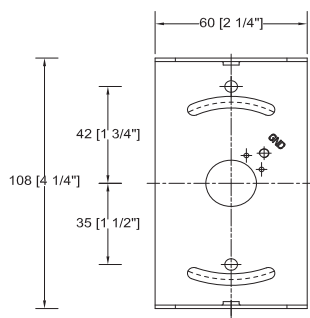
931 –LED BATH

WS-93120/WS-93127

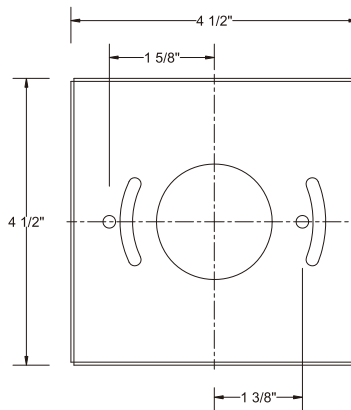
dweLED

- The fixture can switch between three color temperatures (2700K/3000K/3500K) which can be adjusted to our preference with the switch in the canop (Fig.5)
- Connect the fixture's wires to house wires as shown in Fig.4, making sure that all wire connectors (A) are secured. If our outlet box has a green or bare copper ground wire, connect the fixture's ground wire to it. Otherwise, tuck the fixture's ground wire direct into the fixture. After wires are connected, tuck them carefullinside access hole of the wall.
- Secure the fixture to the bracket with mounting screws (G), attach the end cover to the fixture.

Backplate Dimensions



ConversionPlate Dimensions



MountingRing Dimensions

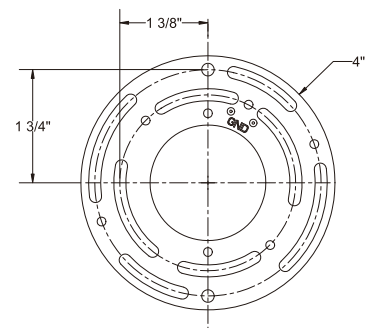


Fig.4 Wiring



Fixture Wires	House Wires
Black or Smooth	Black (Hot)
White or Ribbed	White (Neutral)
Bare wire (Ground)	Green or Bare Copper (Ground)

Fig. 5

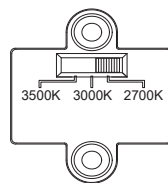


Fig. 6

Installation Location

