

# INSTALLATION INSTRUCTIONS

## WALL SCONCE

WS109614/WS109620

# dweLED

**CAUTION: To prevent electrical shock, ensure electricity has been turned off at the circuit breaker before beginning.**

- Read all instructions before installing.
- System is intended for installation by a licensed electrician in accordance with the National Electrical Code (NEC) and local regulations.
- When handling the fixture, do not apply pressure to the LEDs. Hold the fixture by the base only.
- Retain installation instructions for future maintenance reference.

**WARNING:** All parts must be used as indicated in these instructions. This product is designed for use only with the supplied parts and/or accessories designated for use by dweLED. Substitution of parts or accessories not designated for use with this product by dweLED could result in personal injury or property damage, and will void the warranty. Contact an authorized dealer or the manufacturer if any parts are damaged or missing.

**MAINTENANCE NOTE:** Coastal conditions may cause mineral and residue build-up on the fixture. We recommend that customers in coastal areas clean all external surfaces of the fixture once every two weeks with a wet cloth.

**MISE EN GARDE:** Pour éviter tout choc électrique, assurez-vous que le disjoncteur soit mis hors tension avant de commencer.

- Lisez toutes les instructions avant l'installation.
- Le système doit être installé par un électricien licencié conformément au code national de l'électricité (NEC), et également aux règlements locaux.
- Lors de la manipulation du luminaire, n'appuyez pas sur les LED. Tenez-le uniquement par la base.

**ATTENTION:** Toutes les pièces doivent être utilisées comme indiqué dans ces instructions. Ce produit est conçu pour être utilisé seulement avec les pièces et/ou accessoires fournis pour être utilisés avec les produits dweLED. Remplacer des pièces ou accessoires non conçus pour ce produit dweLED pourrait causer des dommages corporels ou matériels et pourrait également causer l'annulation de la garantie. Veuillez contacter un revendeur autorisé ou le fabricant si des pièces manquent ou sont endommagées.

**NOTE D'ENTRETIEN:** Les conditions côtières peut causer une accumulation de minéraux et de résidus sur le luminaire. Nous recommandons aux clients qui résident dans les zones côtières de nettoyer toutes les surfaces externes du luminaire une fois toutes les deux semaines avec un chiffon humide.

## HARDWARE

A



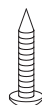
Wire Connector  
Qty: 3pcs+1 Extra

B



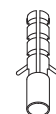
Mounting Screw  
Qty: 1 Extra

C



Wood Screw  
Qty: 4pcs+1 Extra

D



Plastic Anchor  
Qty: 4pcs+1 Extra

wacighting.com

Phone (800) 526.2588  
Fax (800) 526.2585

Headquarters, East Manufacturing Facility

44 Harbor Park Drive  
Port Washington, NY 11050

South East Manufacturing Facility

1600 Distribution Ct  
Lithia Springs, GA 30122

Central Manufacturing Facility

1700 South J Elmer Freeway, Ste 100  
Cedar Hill, TX 75104

West Manufacturing Facility

1750 S Archibald Ave  
Ontario, CA 91761

INSTALLATION INSTRUCTIONS  
**WALL SCONCE**  
 WS109614/WS109620



FIG.1

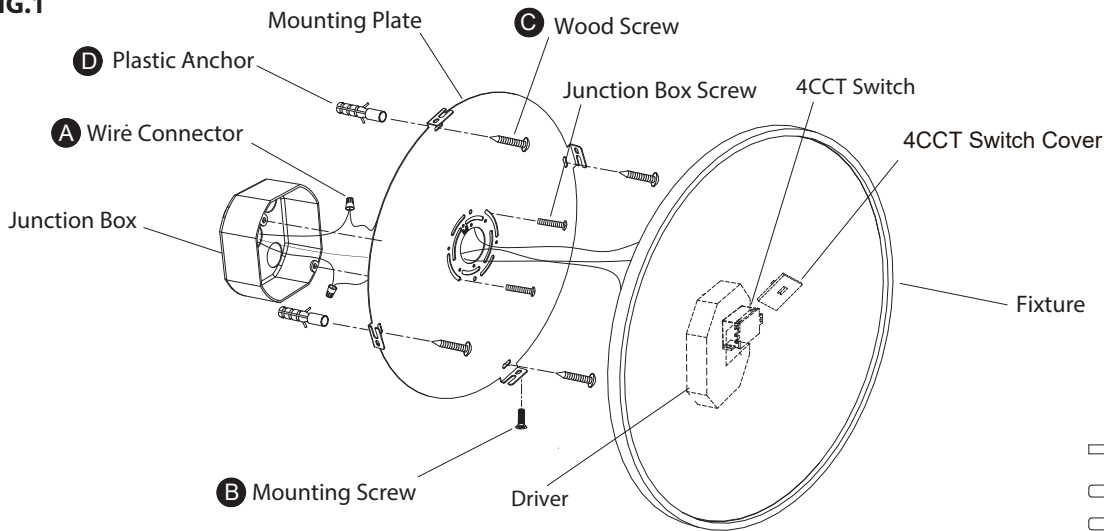
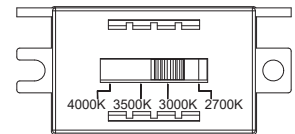


Fig. 3 4CCT Switch



**PREPARATION**

1. Shut off the power at the circuit breaker and remove existing fixture, including the crossbar.
2. Carefully unpack your new fixture and lay out all the parts on a clear area. Be careful not to lose any small parts necessary for installation.

**MOUNTING THE FIXTURE (Fig. 1)**

3. Remove the mounting screw (B) from the fixture, take down the mounting plate.
4. Drill holes in the wall aligned with the key holes located on the mounting plate, insert the plastic anchor (D).
5. Set color temperature at this stage. The fixture can switch between four color temperatures (2700K, 3000K, 3500K, 4000K), which can be adjusted to your preference using the 4CCT switch (Fig. 3) mounted on the mounting plate.  
**Note:** the switch comes with a detachable cover, remove the cover prior to adjusting the color temperature, reattach the cover after adjustment is made.  
**Note:** Fixture must be powered off to adjust the CCT setting, after each CCT adjustment cycle power on, off then on to show new CCT setting.
6. Secure the mounting plate to the junction box using standard junction box screws that comes with the junction box.  
**Note:** (i) using any other non-original-manufacturer provided junction box screw may result in safety issue;  
 (ii) The side of the mounting back plate marked "GND" must face out.

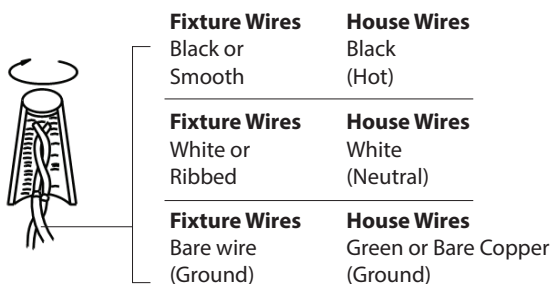
**CONNECTING THE WIRES (Fig. 2)**

7. Connect the driver's input wires to junction box wires as shown in Fig. 2, making sure that all wire connectors (A) are secured. If your outlet box has a green or bare copper ground wire, connect the fixture's ground wire to it. Otherwise, connect the fixture's ground wire directly to the mounting plate using the GND screw provided. After wires are connected, tuck them carefully inside the junction box.

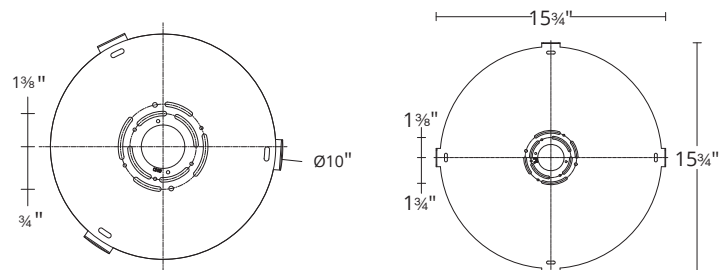
**COMPLETING THE INSTALLATION (Fig. 1)**

8. Secure the fixture to the mounting plate use the mounting screw (B).

Fig. 2 Wiring



Mounting Plate Dimensions



WS109614

WS109620

wacighting.com  
 Phone (800) 526.2588  
 Fax (800) 526.2585

Headquarters, East Manufacturing Facility  
 44 Harbor Park Drive  
 Port Washington, NY 11050

South East Manufacturing Facility  
 1600 Distribution Ct  
 Lithia Springs, GA 30122

Central Manufacturing Facility  
 1700 South J Elmer Freeway, Ste 100  
 Cedar Hill, TX 75104

West Manufacturing Facility  
 1750 S Archibald Ave  
 Ontario, CA 91761