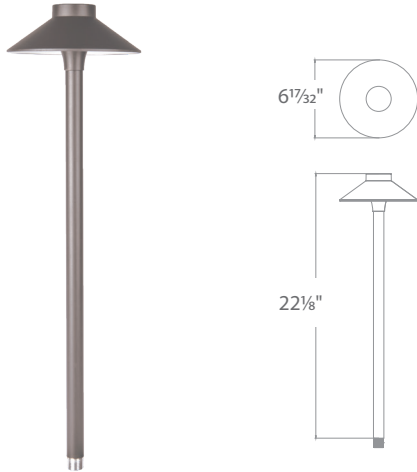


TIKKI LED AREA LIGHT

6041

WAC

LANDSCAPE LIGHTING



Fixture Type:

Catalog Number:

Project: _____

Location: _____

PRODUCT DESCRIPTION

Sturdy side mount design works well in applications where directional illumination is desired

FEATURES

- IP66 rated, Protected against powerful water jets
- Factory sealed water tight fixtures
- Solid diecast corrosion resistant aluminum alloy
- Recommended spacing for installation: Residential: 7 to 9ft; Commercial: 5 to 7ft
- Mounting stake, 6 foot lead wire, and direct burial gel filled wire nuts are included
- Maintains constant lumen output against voltage drop
- UL & cUL 1838 Listed

SPECIFICATIONS

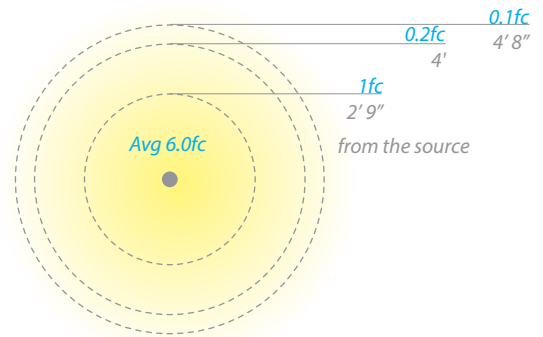
Input: 9-15VAC (Transformer is required)
Power: 6.5W / 9.5VA (Use VA value for sizing the transformer and calculate voltage drop.)
Brightness: 225 lm
CRI: 90+
Rated Life: 60,000 hours

ORDERING NUMBER

		Color Temp	Finish
6041	Tiki	27 2700K Warm White	BBR Bronze on Brass
		30 3000K Pure White	BZ Bronze on Aluminum
			BK Black on Aluminum

6041-___BK

Example: 6041-30BK



wacighting.com

Phone (800) 526.2588

Fax (800) 526.2585

Headquarters, East Manufacturing Facility

44 Harbor Park Drive

Port Washington, NY 11050

South East Manufacturing Facility

1600 Distribution Ct

Lithia Springs, GA 30122

Central Manufacturing Facility

1700 South J Elmer Freeway, Ste 100

Cedar Hill, TX 75104

West Manufacturing Facility

1750 S Archibald Ave

Ontario, CA 91761

TIKKI LED AREA LIGHT

6041

WAC

LANDSCAPE LIGHTING

Surface Mount Flange/Stake



Includes three 7 inch threaded stainless steel stabilizing pins for ground mounting or surface mounts with four screws or over a junction box

5000-SCP-BZ
Bronze on Aluminum



Guardian Mount

Heavy duty stainless steel spike to position fixture.
Formed from a single piece of metal

9000-SP9-BZ
Stainless Steel

Additional Mounting Stake



9000-ST9-BK
Durable PVC stake

Magnetic Transformers

Stainless Steel, 12-15V output, IP65 rated, UL 1838 listed
See transformer spec sheet for details and its accessories

9075-TRN-SS
75W Max

9150-TRN-SS
150W Max

9300-TRN-SS
300W Max

9600-TRN-SS
600W Max



wacighting.com

Phone (800) 526.2588
Fax (800) 526.2585

Headquarters, East Manufacturing Facility

44 Harbor Park Drive
Port Washington, NY 11050

South East Manufacturing Facility

1600 Distribution Ct
Lithia Springs, GA 30122

Central Manufacturing Facility

1700 South J Elmer Freeway, Ste 100
Cedar Hill, TX 75104

West Manufacturing Facility

1750 S Archibald Ave
Ontario, CA 91761