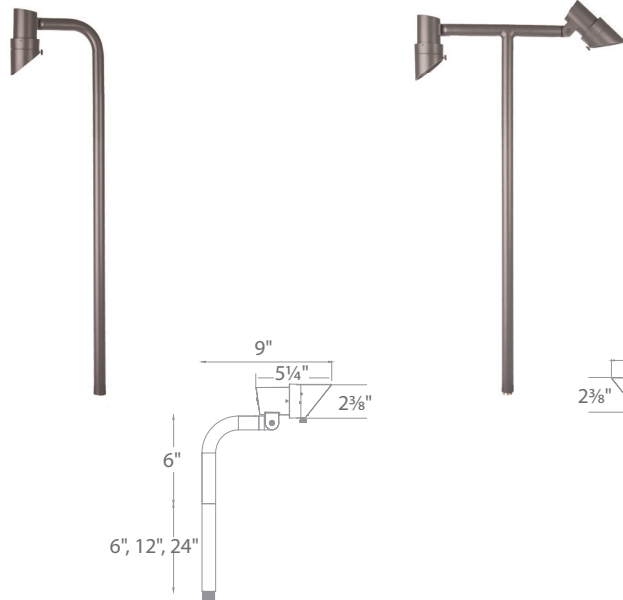


# MINI ACCENT LED PATH

6111 / 6211

# WAC

## LANDSCAPE LIGHTING



Fixture Type:

Catalog Number:

Project: \_\_\_\_\_

Location: \_\_\_\_\_

### PRODUCT DESCRIPTION

Landscape mini accent luminaire. One fixture replaces all older halogen landscape accent lights

### FEATURES

- Continuously Adjustable Beam Angles. Indexed at 10°, 25°, 40°, 50°
- Continuously Adjustable brightness control. Indexed at 1W, 2W, 4W, 6W, 7W
- Adjustable beam angle
- IP66 rated, Protected against high-pressure water jets
- Includes a detachable shroud
- Solid diecast brass or corrosion resistant aluminum
- Factory sealed water tight fixtures
- Constant output for 9V-15V input
- Can be used as an uplight or downlight
- 2700K or 3000K color temperature
- Guardian detachable shroud, 6' lead wire and direct burial gel filled wire nuts included
- UL & cUL 1838 Listed

### SPECIFICATIONS

**6111** *Single*  
**Input:** 9-15VAC (Transformer is required)  
**Power:** 1W to 7W / 2VA - 10.5VA  
**Brightness:** 45lm to 365 lm  
**CRI:** 85  
**Rated Life:** 70,000 hours

**6211** *Double*  
**Input:** 9-15VAC (Transformer is required)  
**Power:** 1W to 7W / 2VA - 10.5VA x 2  
**Brightness:** 45lm to 365 lm x 2  
**CRI:** 85  
**Rated Life:** 70,000 hours

### ORDERING NUMBER

		Color Temp	Finish
<b>6111</b>	<i>Single</i>	<b>27</b> 2700K Warm White	<b>BBR</b> Bronze on Brass
<b>6211</b>	<i>Double</i>	<b>30</b> 3000K Pure White	<b>BZ</b> Bronze on Aluminum

**6111-\_\_\_BBR**

Example: **6111-30BBR**

wacighting.com  
 Phone (800) 526.2588  
 Fax (800) 526.2585

Headquarters/Eastern Distribution Center  
 44 Harbor Park Drive  
 Port Washington, NY 11050

Central Distribution Center  
 1600 Distribution Ct  
 Lithia Springs, GA 30122

Western Distribution Center  
 1750 Archibald Avenue  
 Ontario, CA 91760

# MINI ACCENT LED PATH

6111 / 6211

# WAC

## LANDSCAPE LIGHTING

### Surface Mount Flange/Stake



*Includes three 7 inch threaded stainless steel stabilizing pins for ground mounting or surface mounts with four screws or over a junction box*

**5000-SCP-BZ**

*Bronze on Aluminum*

### 5" Long Shroud



*Reduce glare. Ideal for downlighting application*

**5111-LSHR-BZ** *Bronze on Aluminum*

**5111-LSHR-BBR** *Bronze on Brass*



### Guardian Mount

*Heavy duty stainless steel spike to position fixture.  
Formed from a single piece of metal*

**9000-SP9-BZ**

*Stainless Steel*

### Magnetic Transformers

*Stainless Steel, 12-15V output, IP65 rated, UL 1838 listed  
See transformer spec sheet for details and its accessories*

**9075-TRN-SS**

*75W Max*

**9150-TRN-SS**

*150W Max*

**9300-TRN-SS**

*300W Max*

**9600-TRN-SS**

*600W Max*



waclighting.com  
Phone (800) 526.2588  
Fax (800) 526.2585

Headquarters/Eastern Distribution Center  
44 Harbor Park Drive  
Port Washington, NY 11050

Central Distribution Center  
1600 Distribution Ct  
Lithia Springs, GA 30122

Western Distribution Center  
1750 Archibald Avenue  
Ontario, CA 91760

*WAC Lighting retains the right to modify the design of our products at any time as part of the company's continuous improvement program.*