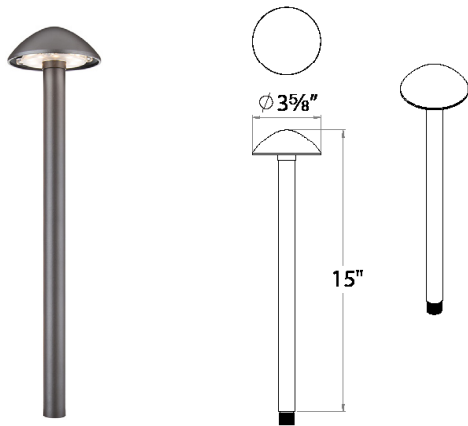


INTERPATH LED AREA LIGHT

6521

WAC

LANDSCAPE LIGHTING



Fixture Type:

Catalog Number:

Project:

Location:

PRODUCT DESCRIPTION

Sturdy side mount design works well in applications where directional illumination is desired. Simple design with small form factor, natural fit to any landscapes.

FEATURES

- IP66 rated, Protected against powerful water jets
- Factory sealed water tight fixtures
- Solid diecast corrosion resistant aluminum alloy
- Recommended spacing for installation: Residential: 4 to 6 ft; Commercial: 3 to 4ft
- Mounting stake, 6 foot lead wire, and direct burial gel filled wire nuts are included
- Maintains constant lumen output against voltage drop
- UL & cUL 1838 Listed

SPECIFICATIONS

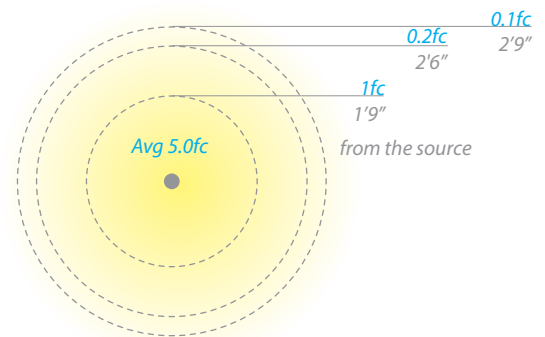
Input: 9-15VAC (Transformer is required)
Power: 2.5W / 2.7VA (Use VA value for sizing the transformer and calculate voltage drop.)
Brightness: Up to 100 lm
CRI: 90+
Rated Life: 60,000 hours

ORDERING NUMBER

		Color Temp	Finish
6521	Interpath	27 2700K Warm White	BZ Bronze on Aluminum
		30 3000K Pure White	BK Black on Aluminum

6521-___BK

Example: 6521-30BK



wacighting.com

Phone (800) 526.2588

Fax (800) 526.2585

Headquarters, East Manufacturing Facility

44 Harbor Park Drive

Port Washington, NY 11050

South East Manufacturing Facility

1600 Distribution Ct

Lithia Springs, GA 30122

Central Manufacturing Facility

1700 South J Elmer Freeway, Ste 100

Cedar Hill, TX 75104

West Manufacturing Facility

1750 S Archibald Ave

Ontario, CA 91761

INTERPATH LED AREA LIGHT

6521

WAC

LANDSCAPE LIGHTING

Surface Mount Flange/Stake



Includes three 7 inch threaded stainless steel stabilizing pins for ground mounting or surface mounts with four screws or over a junction box

5000-SCP-BZ
Bronze on Aluminum



Guardian Mount

*Heavy duty stainless steel spike to position fixture.
Formed from a single piece of metal*

9000-SP9-BZ
Stainless Steel

Additional Mounting Stake



9000-ST9-BK
Durable PVC stake

Magnetic Transformers

*Stainless Steel, 12-15V output, IP65 rated, UL 1838 listed
See transformer spec sheet for details and its accessories*

9075-TRN-SS
75W Max

9150-TRN-SS
150W Max

9300-TRN-SS
300W Max

9600-TRN-SS
600W Max



wacighting.com

Phone (800) 526.2588
Fax (800) 526.2585

Headquarters, East Manufacturing Facility
44 Harbor Park Drive
Port Washington, NY 11050

South East Manufacturing Facility
1600 Distribution Ct
Lithia Springs, GA 30122

Central Manufacturing Facility
1700 South J Elmer Freeway, Ste 100
Cedar Hill, TX 75104

West Manufacturing Facility
1750 S Archibald Ave
Ontario, CA 91761