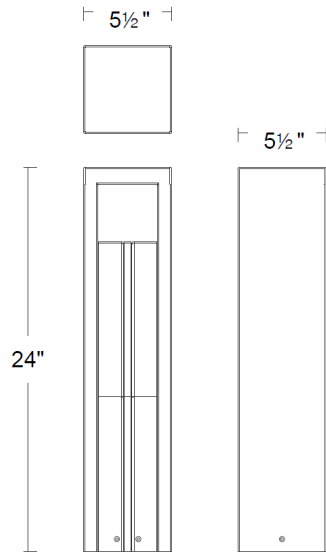


CUBICAL LED BOLLARD 12V

6705

WAC

LANDSCAPE LIGHTING



Fixture Type:

Catalog Number:

Project: _____

Location: _____

PRODUCT DESCRIPTION

A modern architectural low-level bollard light delivering smooth, balanced illumination that enhances outdoor spaces with subtle sophistication. The new stone-like granite finish harmonizes beautifully with natural surroundings.

FEATURES

- IP66 rated, Protected against powerful water jets
- Factory sealed water tight fixtures
- Corrosion resistant aluminum alloy
- Includes Mounting stake, wire nuts, 6" lead wire
- UL & cUL Listed

SPECIFICATIONS

- Input:** 9-15VAC (Transformer is required)
- Power:** 7.4W / 7.5VA (Use VA value for sizing the transformer and calculate voltage drop.)
- Brightness:** Up to 310lm
- CRI:** 90
- Rated Life:** 50,000 hours

Mounting accessory included

M6000-STAKE
12V



ORDERING NUMBER

		Color Temp	Finish
6705	<i>Cubical</i>	27 2700K	BZ <i>Bronze on Aluminum</i> BK <i>Black on Aluminum</i> GT <i>Granite on Aluminum</i>
		30 3000K	

6705-___GT

Example: **6705-27GT**

wacighting.com

Phone (800) 526.2588

Fax (800) 526.2585

Headquarters, East Manufacturing Facility

44 Harbor Park Drive

Port Washington, NY 11050

South East Manufacturing Facility

1600 Distribution Ct

Lithia Springs, GA 30122

Central Manufacturing Facility

1700 South J Elmer Freeway, Ste 100

Cedar Hill, TX 75104

West Manufacturing Facility

1750 S Archibald Ave

Ontario, CA 91761