

INVISILED® SMART CONTROL KIT

For InvisiLED Lite/Pro/Pro2/Pro3

WAC



Fixture Type:

Catalog Number:

Project: _____

Location: _____

PRODUCT DESCRIPTION

Transform your interiors with the InvisiLED® Smart Control Kit, designed exclusively for InvisiLED Lite, Pro, Pro 2 and Pro 3 Tape. Control your LED tape seamlessly via Wi-Fi using the MyWAC app with devices you already own, including Amazon Alexa and Google Home. Offers on/off activation and up/down dimming capability for 24VDC systems and high-output tape lighting applications. Or use DMX to control your popular control platforms.

FEATURES

- Designed exclusively for use with InvisiLED Lite, Pro, Pro 2, and Pro 3 Tape, ensuring seamless integration with these specific models.
- Enables control of LED tape lighting via Wi-Fi, providing convenient and remote access to lighting settings.
- Provides the option to use DMX for controlling the lights, making it compatible with popular control platforms and suitable for professional setups.
- Offers integration with the MyWAC app, allowing users to control their LED tape using devices they already own.
- Compatible with popular voice assistants like Amazon Alexa and Google Home, facilitating voice-activated control and smart home integration for ease of use.
- Features on/off activation and up/down dimming capabilities, suitable for high-output tape lighting applications, offering flexibility in lighting control.
- These features combine to offer a versatile and user-friendly lighting control solution for various environments.

ORDERING NUMBER

CT-96-SM 96W Power Supply
Wireless DMX Controller
Cable ready-to-connect InvisiLED Tape Lite/Pro/Pro2/Pro3

Example: **CT-96-SM**

SPECIFICATIONS - POWER SUPPLY UNIT

Model: EN-24DC096-UNV-RB2
Input: 120-277VAC, 50/60Hz
Output: 24VDC, 96 W Max
Dimming: Control through wireless controller CTR-WDMX-24VDC
Rated Life: 50,000 Hours
Operating Temp: -4°F to 104°F (-20°C to 40°C)
Standards: UL, cUL, Class2 Power Unit, Damp Location Listed
IP: IP20

SPECIFICATIONS - WIRELESS CONTROLLER UNIT

Model: CTR-WDMX-24VDC
Input: 24VDC, 96W Power Feed from power supply
Output: 24VDC, 90 W Max
Dimming: Control Through MyWAC app, WallStation, Good Home, Amazon Alexa
Rated Life: 50,000 Hours
Operating Temp: -4°F to 104°F (-20°C to 40°C)
Standards: UL, cUL, Class2 Power Unit, Damp Location Listed
IP: IP20

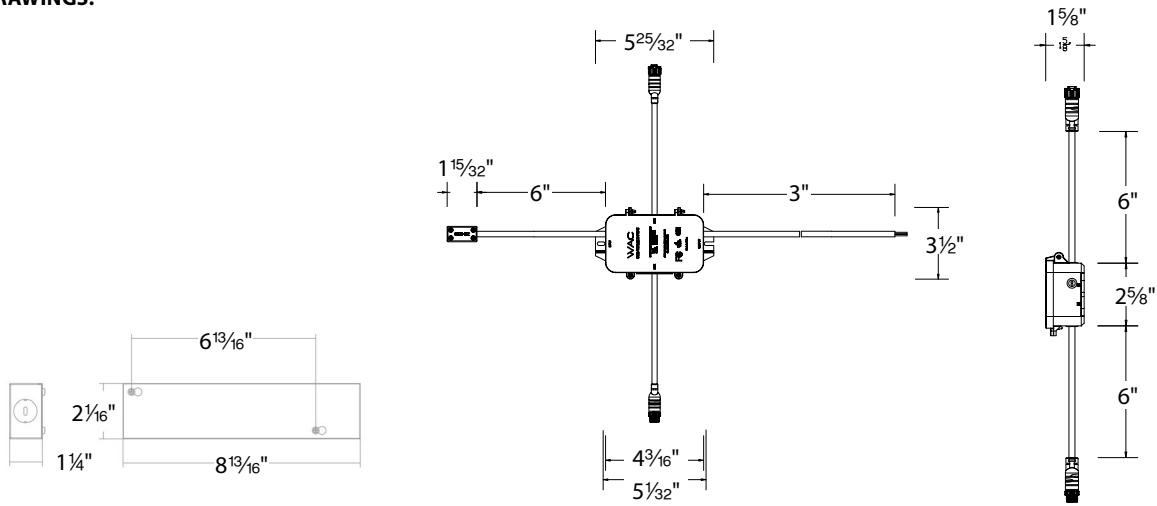
wacighting.com	Headquarters, East Manufacturing Facility	South East Manufacturing Facility	Central Manufacturing Facility	West Manufacturing Facility
Phone (800) 526.2588	44 Harbor Park Drive	1600 Distribution Ct	1700 South J Elmer Freeway, Ste 100	1750 S Archibald Ave
Fax (800) 526.2585	Port Washington, NY 11050	Lithia Springs, GA 30122	Cedar Hill, TX 75104	Ontario, CA 91761

INVISILED® SMART CONTROL KIT

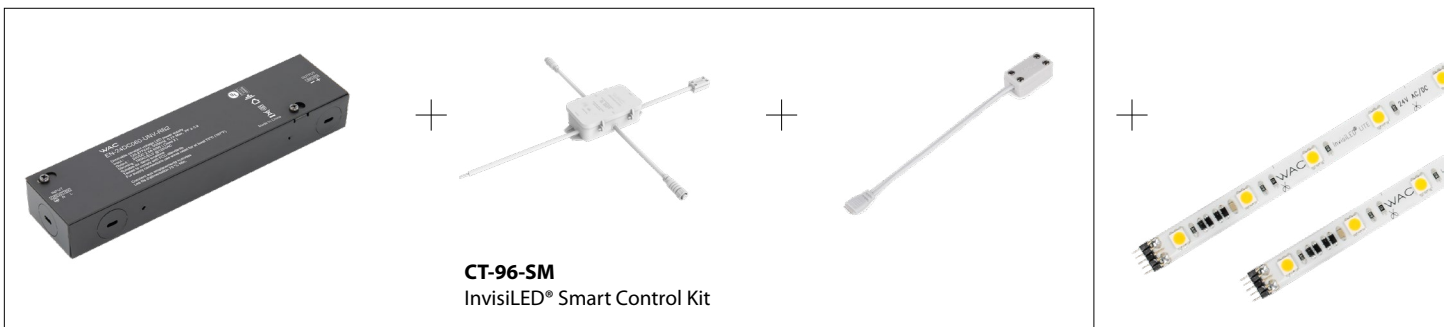
For InvisiLED Lite/Pro/Pro2/Pro3

WAC

LINE DRAWINGS:



WIRING DIAGRAM:



wacighting.com

Phone (800) 526.2588

Fax (800) 526.2585

Headquarters, East Manufacturing Facility

44 Harbor Park Drive

Port Washington, NY 11050

South East Manufacturing Facility

1600 Distribution Ct

Lithia Springs, GA 30122

Central Manufacturing Facility

1700 South J Elmer Freeway, Ste 100

Cedar Hill, TX 75104

West Manufacturing Facility

1750 S Archibald Ave

Ontario, CA 91761