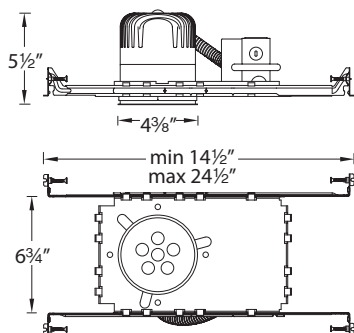
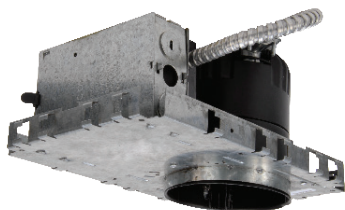


HR-LED418-N

4" LEDme – Non-IC, New Construction Housing

WAC LIGHTING

Responsible Lighting®



Fixture Type:

Catalog Number:

Project:

Location:

PRODUCT DESCRIPTION

4 inch LEDme® Non-IC new construction housing, includes six 3W LED's. For use with LEDme® 4 inch trims.

FEATURES

- Cutout: 4⁹/₁₆"
- 100,000 hour rated life
- Accommodates ceiling thickness up to 1"
- UL and CUL Listed
- 5 year WAC Lighting product warranty

FIXTURE PERFORMANCE

Model #	Color Temp	Watt	Lumens	Efficacy	CRI
HR-LED418-N-27	2700K	16W	846	56.4 Lm/W	85
HR-LED418-N-30	3000K	16W	846	56.4 Lm/W	85
HR-LED418-N-35	3500K	16W	901	60.1 Lm/W	80
HR-LED418-N-40	4000K	16W	1135	67.1 Lm/W	75

ORDER NUMBER

Model #	Color Temp
HR-LED418-N	27 2700K
	30 3000K
	35 3500K
	40 4000K

HR-LED418-N -

Example: **HR-LED418-N-C**

SPECIFICATIONS

Construction: Die-cast aluminum heat sink painted black. Housing and junction box are 20 gauge steel. Frame and hanger bars are heavy gauge galvanized steel.

J-Box: Seven knockouts and four Romex® style wiring connectors provided for ease of installation. Rated for branch wiring.

Driver: Electronic driver, 120VAC/60Hz input, 16W output, 700mA current. Power factor >0.9. Dimming with thermal protection.

Light Source: Includes six 3W ANSI compliant Warm/Neutral LEDs for the finest color consistency possible. Replacement modules available.

Dimming: May be dimmed to 1% with electronic low voltage (ELV) dimmer.

Mounting: Supplied with hanger bars, adjustable from 14¹/₂"-24¹/₂" to accommodate various joist construction and grid sizes. Hanger bars include a captive mounting "screw-nail" for ease of installation. Accommodates surface up to 1" thick. 4⁹/₁₆" cutout hole.

Rating: Non-IC: insulation must be kept at least 3" away from the housing.

Standards: UL & CUL Listed.

REPLACEMENT MODULES

Model #	Color Temp
RM-6X3-27	2700K
RM-6X3-30	3000K
RM-6X3-35	3500K
RM-6X3-40	4000K

COMPATIBLE TRIMS

Model #	Description	Finish – (where there is a slash (/) the letters correspond as: interior finish/exterior finish)
HR-LED411	Round, Open Reflector Downlight	Black/Brushed Nickel (BK/BN), Black/White (BK/WT), White/White (WT/WT)
HR-LED421	Round, Step Baffle Downlight	White/White (WT/WT)
HR-LED431	Round, Shower light	Chrome (CH), White (WT)
HR-LED451	Square, Open Reflector Downlight	Black/Brushed Nickel (BK/BN), Black/White (BK/WT), White/White (WT/WT)
HR-LED471	Square, Shower light	Chrome (CH), White (WT)

Example: **HR-LED411-BK/BN**

See individual trim spec sheets for complete information.

WAC Lighting

www.waclighting.com
Phone (800) 526.2588 • Fax (800) 526.2585

Headquarters/Eastern Distribution Center

44 Harbor Park Drive • Port Washington, NY 11050
Phone (516) 515.5000 • Fax (516) 515.5050

Western Distribution Center

1750 Archibald Avenue • Ontario, CA 91760
Phone (800) 526.2588 • Fax (800) 526.2585

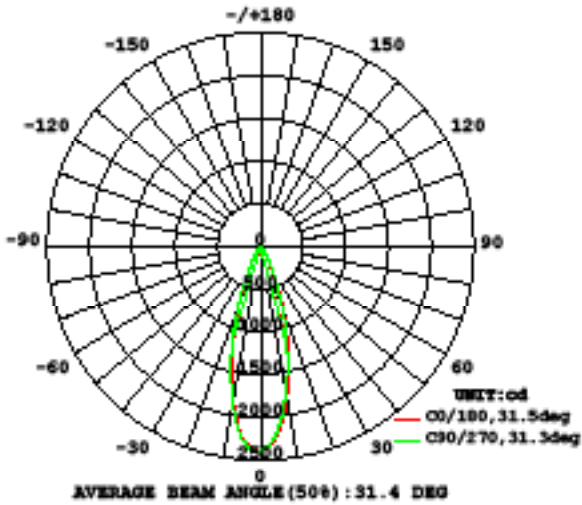
HR-LED418-N

Photometrics

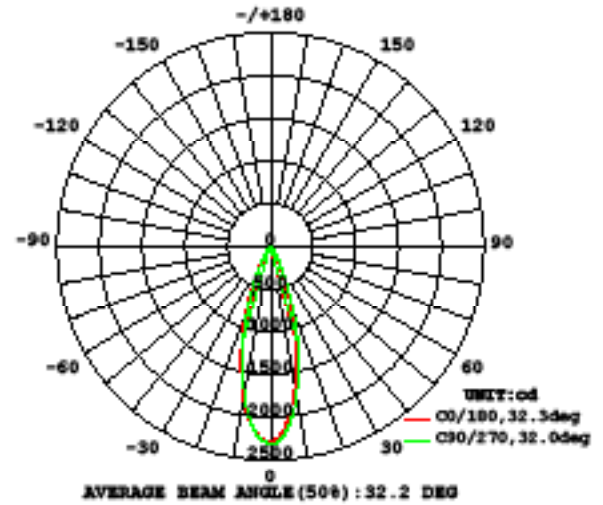
WAC LIGHTING

Responsible Lighting®

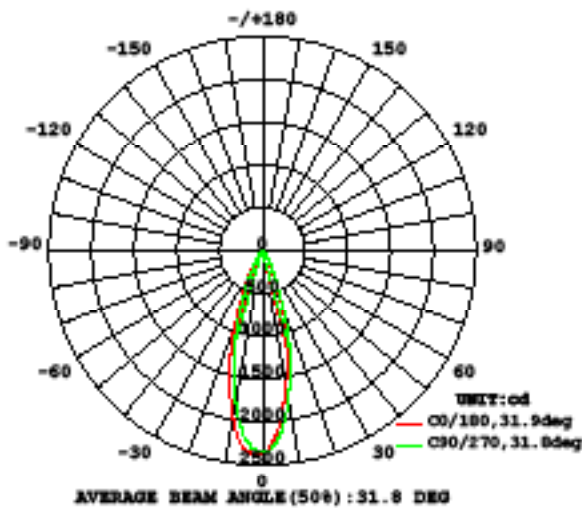
2700K



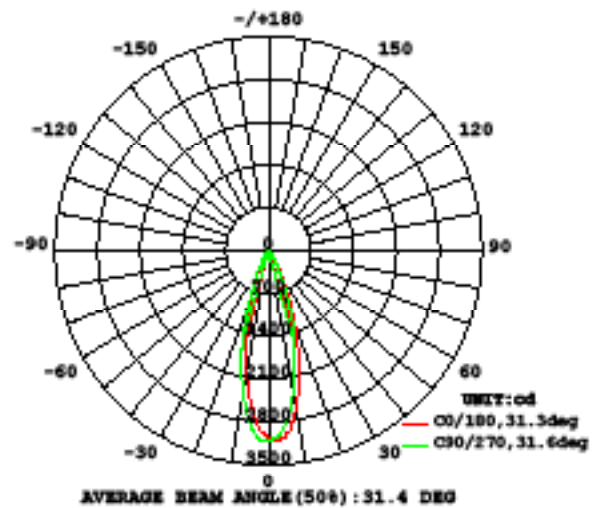
3000K



3500K



4500K



WAC Lighting
www.waclighting.com
Phone (800) 526.2588 • Fax (800) 526.2585

Headquarters/Eastern Distribution Center
44 Harbor Park Drive • Port Washington, NY 11050
Phone (516) 515.5000 • Fax (516) 515.5050

Western Distribution Center
1750 Archibald Avenue • Ontario, CA 91760
Phone (800) 526.2588 • Fax (800) 526.2585