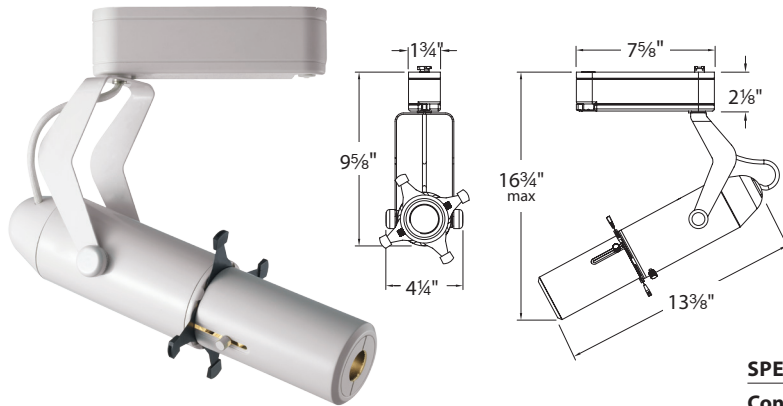


FRAMING PROJECTOR – model: LED009

LEDme Track Luminaire

WAC LIGHTING

Responsible Lighting®



Fixture Type:

Catalog Number:

Project:

Location:

PRODUCT DESCRIPTION

Using state of the art multi-chip LED technology, the Framing Projector uses two lenses for precise focus adjustment to highlight artwork and wall décor or project images, signs and corporate logos.

FEATURES

- Can be used to project images, signs, and corporate logos
- Uses two lenses to allow precise focus adjustment
- Precise beam adjustment from 24° to 40°
- Accepts "D" size Glass and Metal Gobos
- 355° horizontal rotation and 90° vertical aiming
- ANSI Compliant Warm/Neutral LED Bins for a finer color consistency
- Accepts 1 additional lens
- 60,000 hour potential LED life
- 5 year WAC Lighting product warranty

SPECIFICATIONS

Construction: Die-cast aluminum track head with polycarbonate driver case and track adapter. Two focusing lenses and metal shims contained in framing snoot.

Finish: Abrasion resistant paint finish. Available in Black (BK) and White (WT).

Driver: Input voltage: 120VAC 50/60Hz - Power: 22.5W

Lamp: Bridgelux LED Vero10 LED

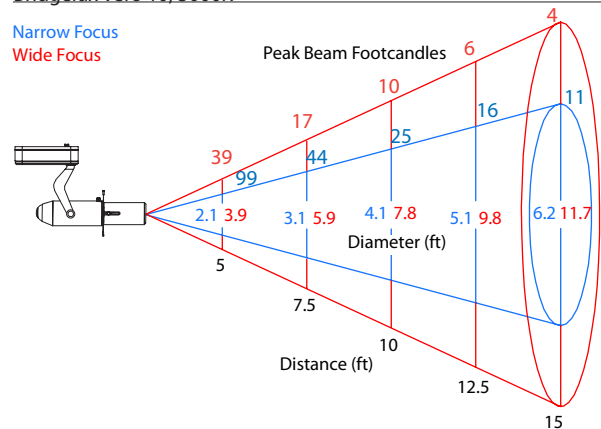
Dimming: Not Dimmable

Standards: ETL & cETL Listed

APPLICATION PERFORMANCE

Bridgelux Vero 10, 3000K

Narrow Focus
Wide Focus



ORDER NUMBER

System	Model #	Power	Color Temp	CRI	Lumens	Finish
L L Track	LED009	22.5W	927	2700K	90	305
H H Track			27	2700K	85	365
J J/J2 Track			930	3000K	90	315
			30	3000K	85	380
			35	3500K	85	395
			40	4000K	85	400
						BK Black WT White

System	Model #	Color	Finish
<input type="text"/>	LED009	<input type="text"/>	<input type="text"/>

Example: L-LED009-40-WT

FINISHES



ACCESSORIES

Color Lens	LENS-16	AMB Amber
		BLU Blue
		GRN Green
		RED Red
		YEL Yellow

WAC Lighting

www.waclighting.com

Phone (800) 526.2588 • Fax (800) 526.2585

Headquarters/Eastern Distribution Center

44 Harbor Park Drive • Port Washington, NY 11050

Phone (516) 515.5000 • Fax (516) 515.5050

Western Distribution Center

1750 Archibald Avenue • Ontario, CA 91760

Phone (800) 526.2588 • Fax (800) 526.2585