

WAC-MESH PSC

Power Supply + Wireless Controller

WAC



Fixture Type:

Catalog Number:

Project:

Location:

FINISHES



Black

Model & Product

L x W x H

PS-24DC-96R-TW-DU

7¹¹/₁₆" x 4¹¹/₁₆" x 1³/₈"

PRODUCT DESCRIPTION

The WAC-Mesh PSC is a versatile power supply and wireless controller that utilizes BLE-Mesh technology to provide seamless and reliable control for modern smart lighting solutions. With a maximum output of 96W at 24VDC and an input range of 100-277 VAC, it is equipped with essential protections against short circuits, overcurrent, overvoltage, and overheating. Designed to work with InvisiLED Duet and Pixels Duet products, it supports tunable white and dim-to-warm capabilities using simple 2-wire technology. Compatible with the MyWAC app for iOS and Android, the PSC enables users to manage lighting from anywhere and integrates effortlessly with WAC-Mesh systems for advanced features like scene creation, group management, and voice control via Google Assistant or Amazon Alexa. This compact yet powerful device is FCC-compliant, offers a high power factor with low total harmonic distortion, and works seamlessly with additional components like the WAC-Mesh WallStation and Portable Gateway for a comprehensive smart lighting experience.

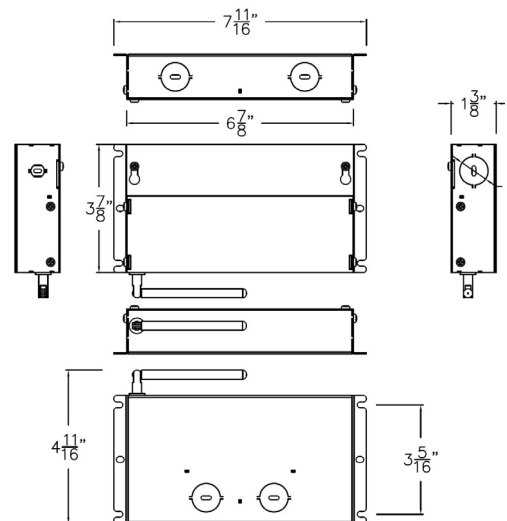
FEATURES

- BLE-Mesh technology for seamless and reliable wireless control.
- Maximum output: 96W at 24VDC.
- Wide input range: 100-277 VAC, 50/60Hz.
- Built-in protections: short circuit, overcurrent, overvoltage, and overtemperature.
- Compatible with InvisiLED Duet and Pixels Duet products for tunable white and dim-to-warm lighting using 2-wire technology.
- Works with the MyWAC app on iOS and Android for control from anywhere.
- Supports cloud connectivity with voice control via Google Assistant and Amazon Alexa.
- Fully integrates with WAC-Mesh systems for advanced scene, zone, and group management.
- Includes 6ft lead wires with connectors ready to be used with InvisiLED Duet tape.
- High power factor (>0.9) and low total harmonic distortion (<20%).
- FCC Part 15 Class B compliant and UL Class 2 output.
- 5-year warranty for long-term reliability and peace of mind.
- Compatible with WAC-Mesh WallStation and Portable Gateway for enhanced functionality.

SPECIFICATIONS

Input:	120-277VAC
Output:	24VDC, 96W
Dimming:	MyWAC App Wallstation Google Home/ Amazon Alexa thru cloud based setting
Rated Life:	50,000 hours
Mounting:	Can be mounted on ceiling or wall in all orientations
Operating Temp:	-4°F to 104°F (-20°C to 40°C)
Standards:	UL, cUL, Damp Location Listed,

LINE DRAWING



wacighting.com

Phone (800) 526.2588

Fax (800) 526.2585

Headquarters, East Manufacturing Facility

44 Harbor Park Drive

Port Washington, NY 11050

South East Manufacturing Facility

1600 Distribution Ct

Lithia Springs, GA 30122

Central Manufacturing Facility

1700 South J Elmer Freeway, Ste 100

Cedar Hill, TX 75104

West Manufacturing Facility

1750 S Archibald Ave

Ontario, CA 91761