

60W/96W,120-277VAC/24VDC

Remote CCT Select Power Supply

WAC



Fixture Type: _____

Catalog Number: _____

Project: _____

Location: _____

FINISHES



Black

Model & Product	L x W x H
PS-24DC-U60R-CS-DU 60W	7.6875" X 3.875" X 1.375"
PS-24DC-U96R-CS-DU 96W	

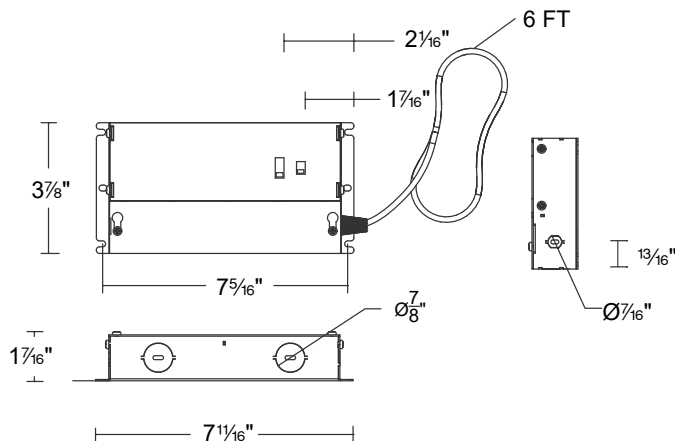
Example: **PS-24DC-U96R-CS-DU**

For custom requests please contact customs@wacighting.com

FEATURES

- Universal Input 120-277VAC
- ≥ 0.9 pf
- Overload and short circuit protection
- TRIAC / ELV/0-10V Dimming Control
- Dual-switch design lets users select load type (1800K-4000K or 2700K-5000K) and choose from preset CCTs:
- 1800K-4000K mode: 1800K, 2700K, 3000K, 3500K, 4000K
- 2700K-5000K mode: 2700K, 3000K, 3500K, 4000K, 5000K
- 6ft. output lead wires
- 90C maximum case hot spot temperature
- Class 2 Output
- 5 Year warranty

LINE DRAWING



SPECIFICATIONS

Input:	120-277 VAC, 50/60Hz
Output:	24VDC, 2 wire system
Power Factor:	> 0.9
THD:	< 20%
Dimming:	TRIAC / ELV: 100-1% , 0-10V: 100-1%
Operating Ambient Temperature:	-20C - 40C
Max Case Temp:	90C
Rated Life:	50,000 hours
Mounting:	Can be mounted on ceiling or wall in all orientations
Standards:	UL, cUL, Damp Location Listed

wacighting.com
Phone (800) 526.2588
Fax (800) 526.2585

Headquarters/Eastern Distribution Center
44 Harbor Park Drive
Port Washington, NY 11050

Central Distribution Center
1600 Distribution Ct
Lithia Springs, GA 30122

Western Distribution Center
1750 Archibald Avenue
Ontario, CA 91760