

AETHER 2" - Round Downlight Trim

R2ARDT



Fixture Type:

Catalog Number:

Project: _____

Location: _____

PRODUCT DESCRIPTION

Shallow housing that is designed to fit in tight plenum spaces without sacrificing lumen output.

FEATURES

- Designed to fit in tight plenum
- Wet location listed for trims
- 2" trim aperture, 2" housing height
- 35° cut-off angle
- Universal input voltage (120V-277V)
- 5 year WAC Lighting product warranty

SPECIFICATIONS

- Construction:** Die-cast aluminum trim with die-cast aluminum heat sink
- Dimming:** 100% - 5% with 0-10V
100% - 5% with Electronic Low Voltage (ELV)/ TRIAC
- Input:** 120V-277V AC
- Power:** 15W, power factor 0.9
- Mounting:** Retention clips firmly hold trim to housing
- Finish:** Powder Coated White, Black and White, Enamel Coated Haze
- Ceiling thickness:** ½" - 1"
- Standards:** UL & cUL Listed, wet location listed trims, Title 24 JA8 Compliant

Trim (See next page for housing)	Model	Beam	Color Temp	CRI	Lumens	CBCP	Finishes
	R2ARDT Round, Downlight Lensed, Wet Location	S 17°	827 2700K	85	1230	6000	BK Black BKWT Black/White HZWT Haze/White WT White
			830 3000K	85	1295	6310	
			835 3500K	85	1320	6440	
			840 4000K	85	1335	6500	
			927 2700K	90	1030	5000	
		930 3000K	90	1065	5185		
		N 24°	827 2700K	85	1230	3860	BK Black BKWT Black/White HZWT Haze/White WT White
			830 3000K	85	1295	4060	
			835 3500K	85	1320	4140	
			840 4000K	85	1335	4180	
			927 2700K	90	1025	3215	
		930 3000K	90	1065	3335		
		F 40°	827 2700K	85	1210	2125	BK Black BKWT Black/White HZWT Haze/White WT White
			830 3000K	85	1275	2235	
			835 3500K	85	1300	2280	
			840 4000K	85	1310	2300	
			927 2700K	90	1010	1770	
		930 3000K	90	1045	1835		
		W 50°	827 2700K	85	1135	1390	BK Black BKWT Black/White HZWT Haze/White WT White
			830 3000K	85	1195	1460	
835 3500K	85		1220	1490			
840 4000K	85		1230	1505			
927 2700K	90		950	1155			
930 3000K	90	985	1200				

R2ARDT- _____ - _____

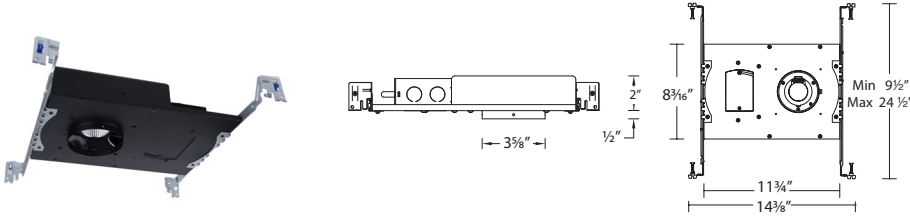
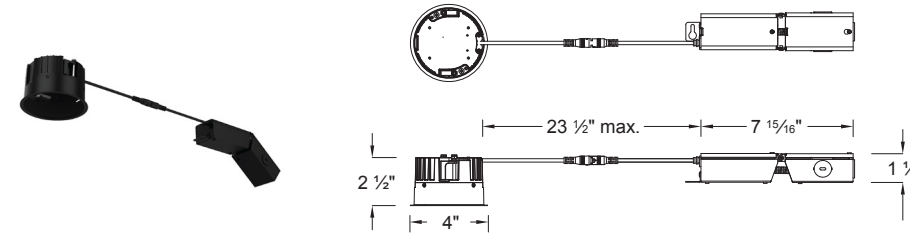
Example: **R2ARDT-N930-HZWT**

AETHER 2" - Round Downlight Trim Housing



Housing

Model

	<p>HR-2LED-H13A New Construction (15W) IC-rated, Airtight</p>
	<p>HR-2LED-H13AC New Construction (15W) IC-rated, Airtight Chicago Plenum</p> <p>HR-2LED-R10A Remodel (9W) IC Rated, Airtight</p> <p>HR-2LED-R15A Remodel (15W) Non-IC Rated, Airtight</p>

HR-2LED-_____
Example: **HR-2LED-H13A**

wacighting.com

Phone (800) 526.2588

Fax (800) 526.2585

Headquarters, East Manufacturing Facility

44 Harbor Park Drive

Port Washington, NY 11050

South East Manufacturing Facility

1600 Distribution Ct

Lithia Springs, GA 30122

Central Manufacturing Facility

1700 South J Elmer Freeway, Ste 100

Cedar Hill, TX 75104

West Manufacturing Facility

1750 S Archibald Ave

Ontario, CA 91761