

AETHER 2" - Round Wall Wash Trim

R2ARWT



Fixture Type:

Catalog Number:

Project: _____

Location: _____

PRODUCT DESCRIPTION

Shallow housing that is designed to fit in tight plenum spaces without sacrificing lumen output.

FEATURES

- Designed to fit in tight plenum
- Wet location listed for trims
- 2" trim aperture, 2" housing height
- Universal input voltage (120V-277V)
- 5 year WAC Lighting product warranty

SPECIFICATIONS

- Construction:** Die-cast aluminum trim with die-cast aluminum heat sink
- Dimming:** 100% - 5% with 0-10V
100% - 5% with Electronic Low Voltage (ELV)/ TRIAC
- Input:** 120V-277V AC
- Power:** 15W, power factor 0.9
- Mounting:** Retention clips firmly hold trim to housing
- Finish:** Powder Coated White, Black/White, Haze/White, Black
- Ceiling thickness:** ½" - 1"
- Standards:** UL & cUL Wet Location Listed, Title 24 JA8 Compliant

Trim (See next page for housing)	Model	Beam	Color Temp	CRI	Lumens	Finishes
	R2ARWT Round, Wall Wash Lensed, Wet Location	A Asymmetrical	827 2700K	85	975	BK Black BKWT Black/White HZWT Haze/White WT White
			830 3000K	85	1030	
			835 3500K	85	1055	
			840 4000K	85	1065	
			927 2700K	90	805	
			930 3000K	90	840	

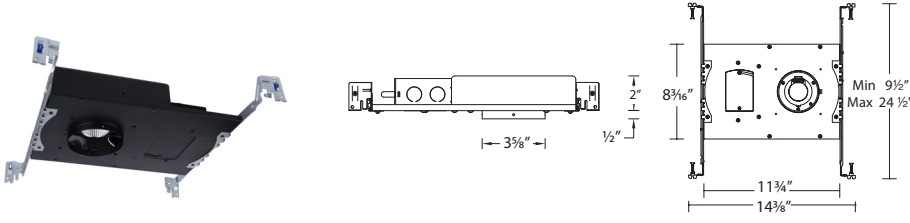
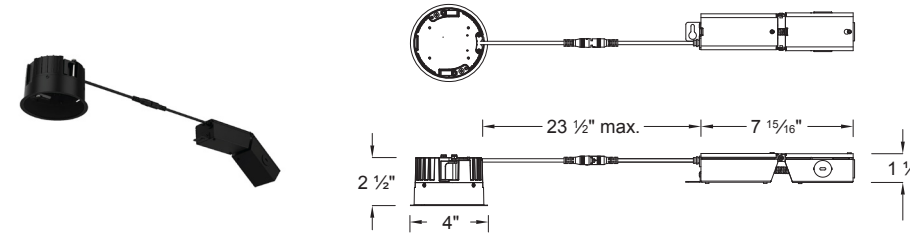
R2ARWT-_____ - _____

Example: **R2ARWT-A930-WT**

Please see next page for housing (required)

Housing

Model

	<p>HR-2LED-H13A New Construction (15W) IC-rated, Airtight</p>
	<p>HR-2LED-R10A Remodel (9W) IC Rated, Airtight</p> <p>HR-2LED-R15A Remodel (15W) Non-IC Rated, Airtight</p>

HR-2LED-_____
Example: **HR-2LED-H13A**