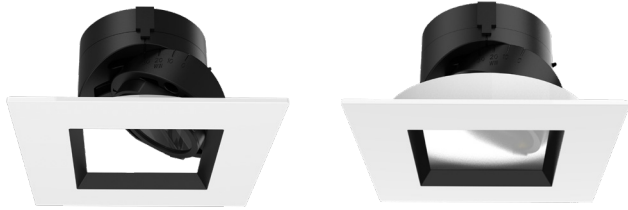


# AETHER 2" - Square Adjustable Trim

## R2ASAT

# WAC®



Fixture Type:

Catalog Number:

Project: \_\_\_\_\_

Location: \_\_\_\_\_

### PRODUCT DESCRIPTION

Shallow housing that is designed to fit in tight plenum spaces without sacrificing lumen output.

### FEATURES

- Designed to fit in tight plenum
- 2" trim aperture, 2" housing height
- Damp Location Trims: 0-30° vertical and 365° horizontal adjustment
- Wet Location Trims: 0-25° vertical and 365° horizontal adjustment
- 5 year WAC Lighting product warranty

### SPECIFICATIONS

- Construction:** Die-cast aluminum trim with die-cast aluminum heat sink
- Dimming:** 100% - 5% with 0-10V  
100% - 5% with Electronic Low Voltage (ELV)/ TRIAC
- Input:** 120V-277V AC
- Power:** 15W, power factor 0.9
- Mounting:** Retention clips firmly hold trim to housing
- Finish:** Powder Coated White, Black, Enamel Coated Haze
- Ceiling thickness:** ½" - 1"
- Standards:** UL & cUL Damp Listed, UL & cUL Wet Listed (Lensed options only), Title 24 JA8 Compliant

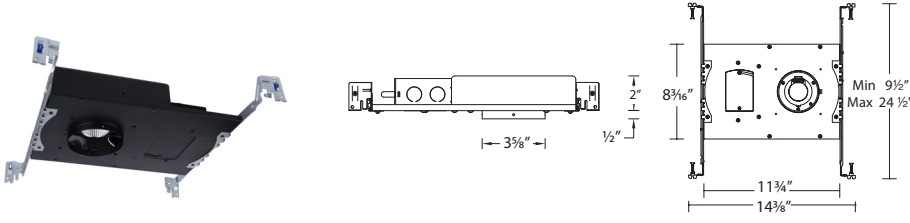
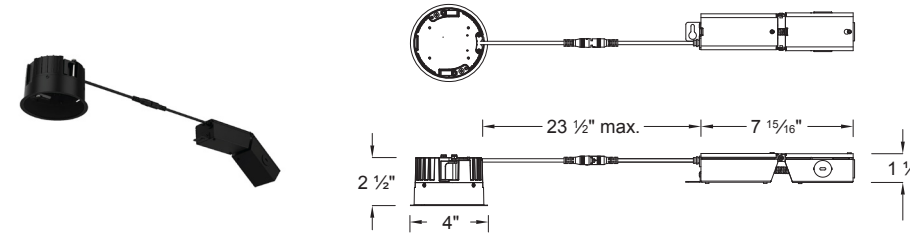
Trim (See next page for housing)	Model	Beam	Color Temp	CRI	Lumens	CBCP	Finishes
	<b>R2ASAT</b> Square, 0-30° Adjustable Damp Location	N 26°	<b>827</b> 2700K 85 1275 4270	85 85 85 85	1355 1385 1395	4530 4640 4675	<b>BK</b> Black
			<b>830</b> 3000K				<b>BKWT</b> Black/White
			<b>835</b> 3500K				<b>HZWT</b> Haze/ White
			<b>840</b> 4000K				<b>WT</b> White
		F 40°	<b>927</b> 2700K 90 1055 3535	90 90	1060 1100	2095 2180	<b>BK</b> Black
			<b>930</b> 3000K				<b>BKWT</b> Black/White
			<b>927</b> 2700K				<b>HZWT</b> Haze/ White
			<b>930</b> 3000K				<b>WT</b> White
<b>R2ASAT</b> Square, 0-25° Adjustable Lensed, Wet Location	N 28°	<b>827</b> 2700K 85 1180 3680	85 85 85 85	1250 1280 1290	3905 4000 4030	<b>LBK</b> Lensed Black	
		<b>830</b> 3000K				<b>LBKWT</b> Lensed Black/White	
		<b>835</b> 3500K				<b>LHZWT</b> Lensed Haze/ White	
		<b>840</b> 4000K				<b>LWT</b> Lensed White	
	F 40°	<b>927</b> 2700K 90 975 3045	90 90	1015 1175 1245 1285	2245 2380 2435 2455	<b>LBK</b> Lensed Black	
		<b>930</b> 3000K				<b>LBKWT</b> Lensed Black/White	
		<b>927</b> 2700K				<b>LHZWT</b> Lensed Haze/ White	
		<b>930</b> 3000K				<b>LWT</b> Lensed White	

**R2ASAT-** \_\_\_\_\_ - \_\_\_\_\_

Example: **R2ASAT-N930-WT**

Housing

Model

	<p><b>HR-2LED-H13A</b>      New Construction (15W) IC-rated, Airtight</p>
	<p><b>HR-2LED-H13AC</b>      New Construction (15W) IC-rated, Airtight Chicago Plenum</p> <p><b>HR-2LED-R10A</b>      Remodel (9W) IC Rated, Airtight</p> <p><b>HR-2LED-R15A</b>      Remodel (15W) Non-IC Rated, Airtight</p>

**HR-2LED-**\_\_\_\_\_  
Example: **HR-2LED-H13A**