

# AETHER 3.5" - Wall Wash Trimless

## R3ARWL, R3ASWL



Fixture Type:

Catalog Number:

Project: \_\_\_\_\_

Location: \_\_\_\_\_

### PRODUCT DESCRIPTION

Aether features all of the benefits of a high performance LED recessed downlight including Energy Star® Rating, Wet Location listing, and high output with efficiency. Available in a sleek trimless option which can be spackled directly up to the aperture. At 3.5" in height, the Aether is designed with the difficult to fit jobs in mind.

### FEATURES

- Designed to fit in tight plenum
- Wet location listed for trims
- 3.5" trim aperture, 3.5" housing height
- Designed for even wall illumination both vertically and horizontally
- 5 year WAC Lighting product warranty

### SPECIFICATIONS

<b>Construction:</b>	Die-cast aluminum trim with extruded aluminum heat sink
<b>Input:</b>	Universal 120 - 277VAC, 50/60 Hz
<b>Power:</b>	15.5W, power factor 0.98
<b>Dimming:</b>	100% - 0% with 0-10V dimmer 100% - 5% with Electronic Low Voltage (ELV) dimmer
<b>Mounting:</b>	Retention clips firmly hold trim to housing
<b>Ceiling thickness:</b>	½" - 1½"
<b>Finish:</b>	Electrostatically Powder Coated White, Black, Enamel Coated Haze
<b>Standards:</b>	ETL & cETL Wet Location Listed, Title 24 JA8 Compliant

Trim (See next page for housing)	Model	Beam	Color Temp	CRI	Lumen	Finishes
	<b>R3ARWL</b> Round, Wall Wash Wet Location	<b>A</b> Asymmetrical	<b>827</b> 2700K 85 860	<b>BK</b> Black <b>HZ</b> Haze <b>WT</b> White		
			<b>830</b> 3000K 85 900			
			<b>835</b> 3500K 85 925			
			<b>840</b> 3500K 85 935			
			<b>927</b> 2700K 90 720			
	<b>R3ASWL</b> Square, Wall Wash Wet Location	<b>A</b> Asymmetrical	<b>827</b> 2700K 85 830	<b>BK</b> Black <b>HZ</b> Haze <b>WT</b> White		
			<b>830</b> 3000K 85 860			
			<b>835</b> 3500K 85 855			
			<b>840</b> 3500K 85 900			
			<b>927</b> 2700K 90 690			
			<b>930</b> 3000K 90 715			

**R3A\_WL-**\_\_\_\_\_ - \_\_\_\_\_


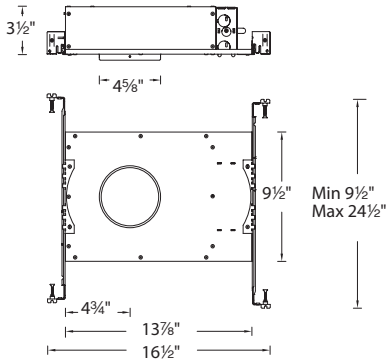
Example: **R3ARWL-A930-HZ**

# AETHER 3.5" - Wall Wash Trimless Housing



Housing (Required)

Model

 	<p><b>HR-3LED-H17A</b></p> <p>New Construction IC-rated, Airtight</p>
	<p><b>HR-3LED-H17AC</b></p> <p>New Construction IC-rated, Airtight Chicago Plenum</p>

## HR-3LED-H17 \_\_\_\_\_

Example: **HR-3LED-H17A**

wacighting.com

Phone (800) 526.2588

Fax (800) 526.2585

**Headquarters, East Manufacturing Facility**

44 Harbor Park Drive

Port Washington, NY 11050

**South East Manufacturing Facility**

1600 Distribution Ct

Lithia Springs, GA 30122

**Central Manufacturing Facility**

1700 South J Elmer Freeway, Ste 100

Cedar Hill, TX 75104

**West Manufacturing Facility**

1750 S Archibald Ave

Ontario, CA 91761