

# AETHER 3.5" - Adjustable Trimless

## R3ARAL, R3ASAL



Fixture Type:

Catalog Number:

Project:

Location:

### PRODUCT DESCRIPTION

Aether features all of the benefits of a high performance LED recessed downlight including Energy Star® Rating, Wet Location listing, and high output with efficiency. Available in a sleek trimless option which can be spackled directly up to the aperture. At 3.5" in height, the Aether is designed with the difficult to fit jobs in mind.

### FEATURES

- Designed to fit in tight plenum
- Damp location listed for trims
- 0° - 30° vertical adjustable range
- 3.5" trim aperture, 3.5" housing height
- 5 year WAC Lighting product warranty

### SPECIFICATIONS

- Construction:** Die-cast aluminum trim with extruded aluminum heat sink
- Input:** Universal 120 - 277VAC, 50/60 Hz
- Power:** 15.5W, power factor 0.98
- Dimming:** 100% - 0% with 0-10V dimmer (120V - 277V)  
100% - 5% with Electronic Low Voltage (ELV) dimmer (120V only)
- Mounting:** Retention clips firmly hold trim to housing
- Ceiling thickness:** ½" - 1½"
- Finish:** Electrostatically Powder Coated White, Black, Enamel Coated Haze
- Standards:** ETL & cETL Damp Location Listed, Title 24 JA8 Compliant. Energy Star 2.0

Trim (See next page for housing)	Model	Beam	Color Temp	CRI	Lumens	CBCP	Finishes	
	<b>R3ARAL</b> Round, Adjustable Damp Location	S 15°	<b>827</b> 2700K 85 1060 5295	85	1105	5295	<b>BK</b> Black <b>HZ</b> Haze <b>WT</b> White	
			<b>830</b> 3000K 85 1105 5515					
			<b>835</b> 3500K 85 1135 5675					
			<b>840</b> 4000K 85 1150 5740					
		N 25°	<b>927</b> 2700K 90 880 4415	90	920	4415	4590	<b>BK</b> Black <b>HZ</b> Haze <b>WT</b> White
			<b>930</b> 3000K 90 920 4590					
			<b>827</b> 2700K 85 1110 4020					
			<b>830</b> 3000K 85 1160 4190					
		F 50°	<b>835</b> 3500K 85 1190 4310	85	1205	4310	4360	<b>BK</b> Black <b>HZ</b> Haze <b>WT</b> White
<b>840</b> 4000K 85 1205 4360								
<b>927</b> 2700K 90 925 3350								
<b>930</b> 3000K 90 965 3485								
	<b>R3ASAL</b> Square, Adjustable Damp Location	S 15°	<b>827</b> 2700K 85 990 5610	85	1040	5845	<b>BK</b> Black <b>HZ</b> Haze <b>WT</b> White	
			<b>830</b> 3000K 85 1040 5845					
			<b>835</b> 3500K 85 1070 6010					
			<b>840</b> 4000K 85 1080 6075					
		N 25°	<b>927</b> 2700K 90 830 4675	90	865	4675	4860	<b>BK</b> Black <b>HZ</b> Haze <b>WT</b> White
			<b>930</b> 3000K 90 865 4860					
			<b>827</b> 2700K 85 1045 4000					
			<b>830</b> 3000K 85 1090 4170					
		F 50°	<b>835</b> 3500K 85 1120 4290	85	1135	4290	4335	<b>BK</b> Black <b>HZ</b> Haze <b>WT</b> White
<b>840</b> 4000K 85 1135 4335								
<b>927</b> 2700K 90 870 3335								
<b>930</b> 3000K 90 905 3470								
F 50°	<b>827</b> 2700K 85 990 1775	85	1030	1850	1900	<b>BK</b> Black <b>HZ</b> Haze <b>WT</b> White		
	<b>830</b> 3000K 85 1030 1850							
	<b>835</b> 3500K 85 1055 1900							
	<b>840</b> 4000K 85 1070 1923							
F 50°	<b>927</b> 2700K 90 820 1480	90	830	1480	1540	<b>BK</b> Black <b>HZ</b> Haze <b>WT</b> White		
	<b>930</b> 3000K 90 830 1540							

**R3ARAL-** \_\_\_\_\_ - \_\_\_\_\_

Example: **R3ARAL-N930-HZ**

wacighting.com

Phone (800) 526.2588

Fax (800) 526.2585

Headquarters, East Manufacturing Facility

44 Harbor Park Drive

Port Washington, NY 11050

South East Manufacturing Facility

1600 Distribution Ct

Lithia Springs, GA 30122

Central Manufacturing Facility

1700 South J Elmer Freeway, Ste 100

Cedar Hill, TX 75104

West Manufacturing Facility

1750 S Archibald Ave


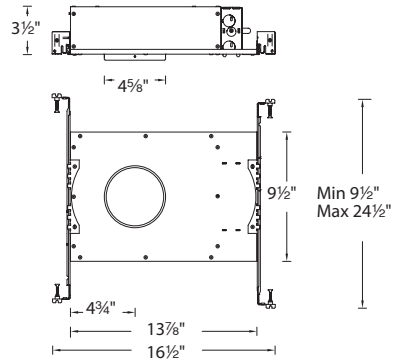
Ontario, CA 91761

# AETHER 3.5" - Adjustable Trimless Housing



Housing (Required)

Model

 	<p><b>HR-3LED-H17A</b></p> <p>New Construction IC-rated, Airtight</p>
	<p><b>HR-3LED-H17AC</b></p> <p>New Construction IC-rated, Airtight Chicago Plenum</p>

## HR-3LED-H17 \_\_\_\_\_

Example: **HR-3LED-H17A**

wacighting.com

Phone (800) 526.2588

Fax (800) 526.2585

**Headquarters, East Manufacturing Facility**

44 Harbor Park Drive

Port Washington, NY 11050

**South East Manufacturing Facility**

1600 Distribution Ct

Lithia Springs, GA 30122

**Central Manufacturing Facility**

1700 South J Elmer Freeway, Ste 100

Cedar Hill, TX 75104

**West Manufacturing Facility**

1750 S Archibald Ave

Ontario, CA 91761