

# R4FBNT, R4FRNL, R4FSNL, R4FBFT, R4FRFL, R4FSFL



## 4" FQ New Construction Housing and Frame-in Kit

### SPECIFICATIONS

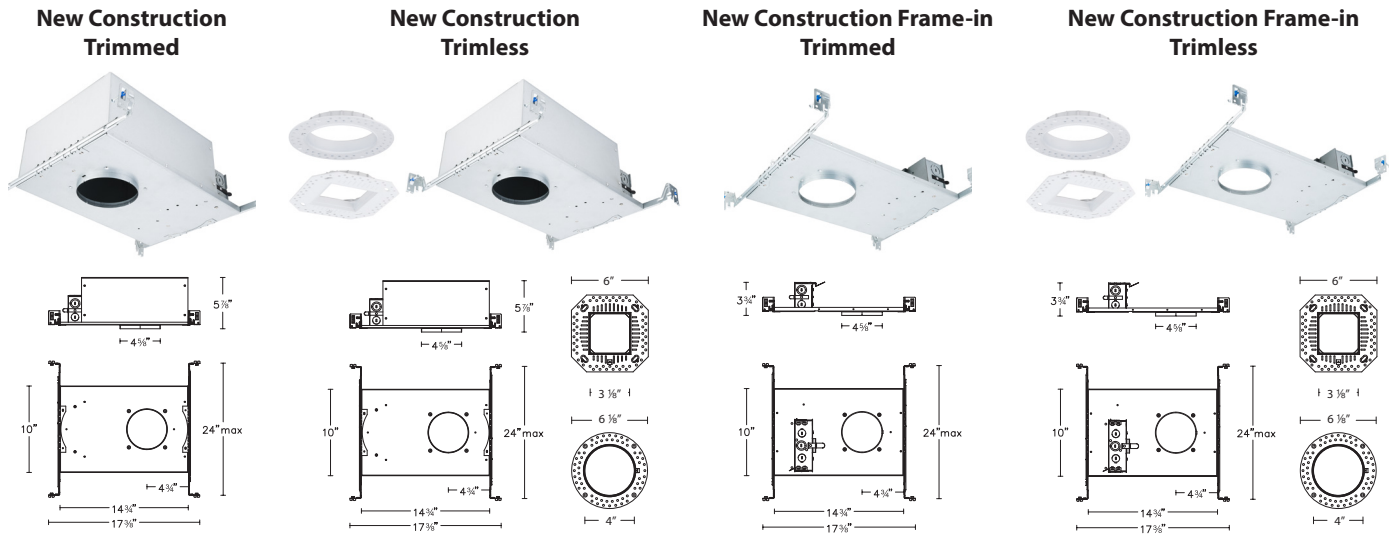
- Input:** Universal 120-277V AC 50/60 Hz
- Standards:** ETL & cETL, IC-rated, Airtight, SPCL (Spray Foam Compatible Luminaire), up to R6.8 per inch, as per UL 1598
- Dimming:** Electronic Low Voltage (ELV): 100%-1%  
TRIAC: 100%-1% 0-10V: 100-1%
- Emergency:** EM fixtures provided with integral Emergency battery back up with 24" lead wire remote test switch. Provides at least 90 minutes of 6W illumination during emergency operation.
- Mounting:** New construction housings included with universal mounting brackets and hanger bars  
Ceiling cutout (Round and Square): Ø 4 3/4"  
Ceiling thickness: 1/2" - 1"
- Construction:** 20 Gauge galvanized sheet
- Warranty:** 5 year WAC Lighting product warranty

Fixture Type:

Catalog Number:

Project: \_\_\_\_\_

Location: \_\_\_\_\_



HOUSINGS	Model	Power	Rating	Emergency Backup	Compatible Trims	
New Construction Trimmed	R4FBNT Round and Square	Airtight	1 13W 2 19W 3 25W 4 28W	IC, SPCL IC, SPCL IC, SPCL Non-IC	EM* Emergency backup battery (Optional)	R4FRDT, R4FSDT R4FRAT, R4FSAT R4FRWT, R4FSWT
New Construction Trimless	R4FRNL Round (Spackle frame included)	Airtight	1 13W 2 19W 3 25W 4 28W	IC, SPCL IC, SPCL IC, SPCL Non-IC	EM* Emergency backup battery (Optional)	R4FRDL, R4FRAL, R4FRWL
	R4FSNL Square (Spackle frame included)	Airtight				R4FSDL, R4FSAL, R4FSWL
New Construction Frame-in Trimmed	R4FBFT Round and Square		1 13W 2 19W 3 25W 4 28W	Non-IC	EM Emergency backup battery (Optional)	R4FRDT, R4FSDT R4FRAT, R4FSAT R4FRWT, R4FSWT
New Construction Frame-in Trimless	R4FRFL Round (Spackle frame included)		1 13W 2 19W 3 25W 4 28W	Non-IC	N/A	R4FRDL, R4FRAL, R4FRWL
	R4FSFL Square (Spackle frame included)					R4FSDL, R4FSAL, R4FSWL

### R4F - - -

Example: **R4FBNT-1** or **R4FBNT-1-EM** (with Emergency backup battery)

\* EM option is not SPCL rated.

wacighting.com	Headquarters, East Manufacturing Facility	South East Manufacturing Facility	Central Manufacturing Facility	West Manufacturing Facility
Phone (800) 526.2588	44 Harbor Park Drive	1600 Distribution Ct	1700 South J Elmer Freeway, Ste 100	1750 S Archibald Ave
Fax (800) 526.2585	Port Washington, NY 11050	Lithia Springs, GA 30122	Cedar Hill, TX 75104	Ontario, CA 91761

# R4FBNT, R4FRNL, R4FSNL, R4FBFT, R4FRFL, R4FSFL

## 4" FQ New Construction Housing and Frame-in Kit



### REPLACEMENT DRIVER

<i>Housing Model</i>	<i>Power</i>		<i>Emergency Backup</i>	<i>Replacement Driver Model</i>
<b>R4FBNT, R4FRNL, R4FSNL</b>	<b>1</b>	13W	None	D-R4FN-1
	<b>2</b>	19W		D-R4FN-2
	<b>3</b>	25W		D-R4FN-3
	<b>4</b>	28W		D-R4FN-4
<b>R4FBFT, R4FRFL, R4FSFL</b>	<b>1</b>	13W	None	D-R4FF-1
	<b>2</b>	19W		D-R4FF-2
	<b>3</b>	25W		D-R4FF-3
	<b>4</b>	28W		D-R4FF-4
<b>R4FBNT, R4FBFT</b>	<b>1</b>	13W	EM	D-R4FN-1-EM
	<b>2</b>	19W		D-R4FN-2-EM
	<b>3</b>	25W		D-RBFN-3-EM
	<b>4</b>	28W		D-R4FN-4-EM

Example:

For **R4FRNL-2** housing, choose replacement driver model **D-R4FN-2**

For **R4FBNT-3-EM** housing, choose replacement driver model **D-RBFN-3-EM**