

TRIMLESS HOUSING

4.5" Volta

WAC LIGHTING

Responsible Lighting®

SPECIFICATIONS

- Input:** Universal 120 - 277V AC 50/60 Hz
- Standards:** ETL & cETL, Chicago Plenum, IC-rated, Airtight (see below for list)
- Dimming:** Electronic Low Voltage (ELV): 100%-5%
0-10V: 100%-0%
Lutron Hi-Lume 1% Fade-to-Black option
- Emergency:** EM fixtures provided with integral Emergency battery back up with 24" lead wire remote test switch. Provides at least 90 minutes of 5W illumination during emergency operation.
- Mounting:** New construction housings included with universal mounting brackets and hanger bars (Min. 14½" & Max. 24½")
Ceiling cut out (Round): Ø 5 1/8"
Ceiling cut out (Square): 5 1/8" x 5 1/8"
See next page for ceiling thickness information
- Construction:** 20 Gauge cold rolled steel
Diecast spackle flange included
- Warranty** 5 year WAC Lighting product warranty

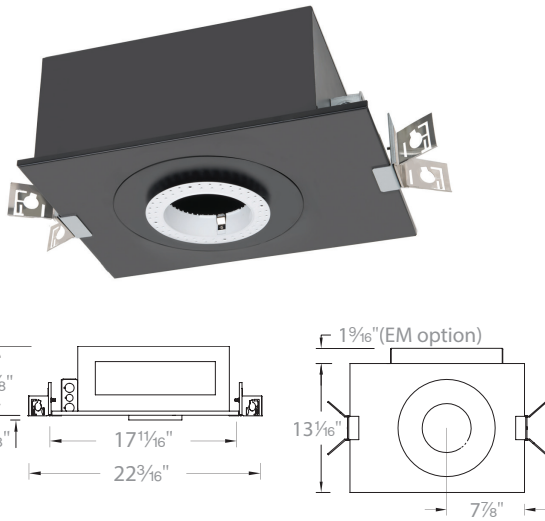
Fixture Type:

Catalog Number:

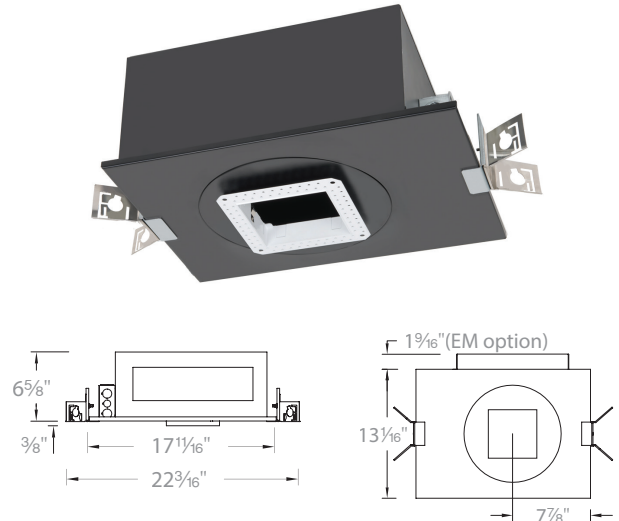
Project:

Location:

Round New Construction



Square New Construction



HOUSINGS

	Model	Power*	S	N, F, W, A	Rating	Driver	Emergency Backup	Compatible Trims
Round New Construction	R4RNL Airtight	15	10W	15W	IC rated	DEFAULT	ELV, 0-10V	R4RD2L
	R4RCL Airtight, Chicago Plenum	25	15W	23W	IC rated	L1	Lutron	R4RD1L
		36	22W	34W	Non-IC		Hi-Lume 1%	R4RAL R4RWL
Square New Construction	R4SNL Airtight	15	10W	15W	IC rated	DEFAULT	ELV, 0-10V	R4SD2L
	R4SCL Airtight, Chicago Plenum	25	15W	23W	IC rated	L1	Lutron	R4SD1L
		36	22W	34W	Non-IC		Hi-Lume 1%	R4SAL R4SWL

*Power consumption depends on beam angle of the trim.

R4 _____ - _____
Example: **R4RNL-15** or **R4RNL-15EM** (with Emergency backup battery)

Field Replaceable Driver

- D-R4N-15** Driver for 15W New Construction Hsg
- D-R4N-25** Driver for 23W New Construction Hsg
- D-R4N-36** Driver for 34W New Construction Hsg

wacighting.com
Phone (800) 526.2588
Fax (800) 526.2585

Headquarters/Eastern Distribution Center
44 Harbor Park Drive
Port Washington, NY 11050

Central Distribution Center
1600 Distribution Ct
Lithia Springs, GA 30122

Western Distribution Center
1750 Archibald Avenue
Ontario, CA 91760

TRIMLESS HOUSING

4.5" Volta

WAC LIGHTING

Responsible Lighting®

CEILING THICKNESS BY TRIM

Trim Model	Trim Description	Ceiling Thickness		
		1/2"	1"	1 1/2"
R4RD2L R4SD2L	<i>Downlight</i>	Yes	Yes	Yes
R4RD1L R4SD1L	<i>Shallow Regressed Downlight</i>	Yes	Yes	Yes
R4RAL R4SAL	<i>Adjustable</i>	Yes, to 45°	Yes, to 45°	Yes, to 35°
R4RWL R4SWL	<i>Wall Wash</i>	Yes	Yes	No

waclighting.com
Phone (800) 526.2588
Fax (800) 526.2585

Headquarters/Eastern Distribution Center
44 Harbor Park Drive
Port Washington, NY 11050

Central Distribution Center
1600 Distribution Ct
Lithia Springs, GA 30122

Western Distribution Center
1750 Archibald Avenue
Ontario, CA 91760